

PART  
NAME

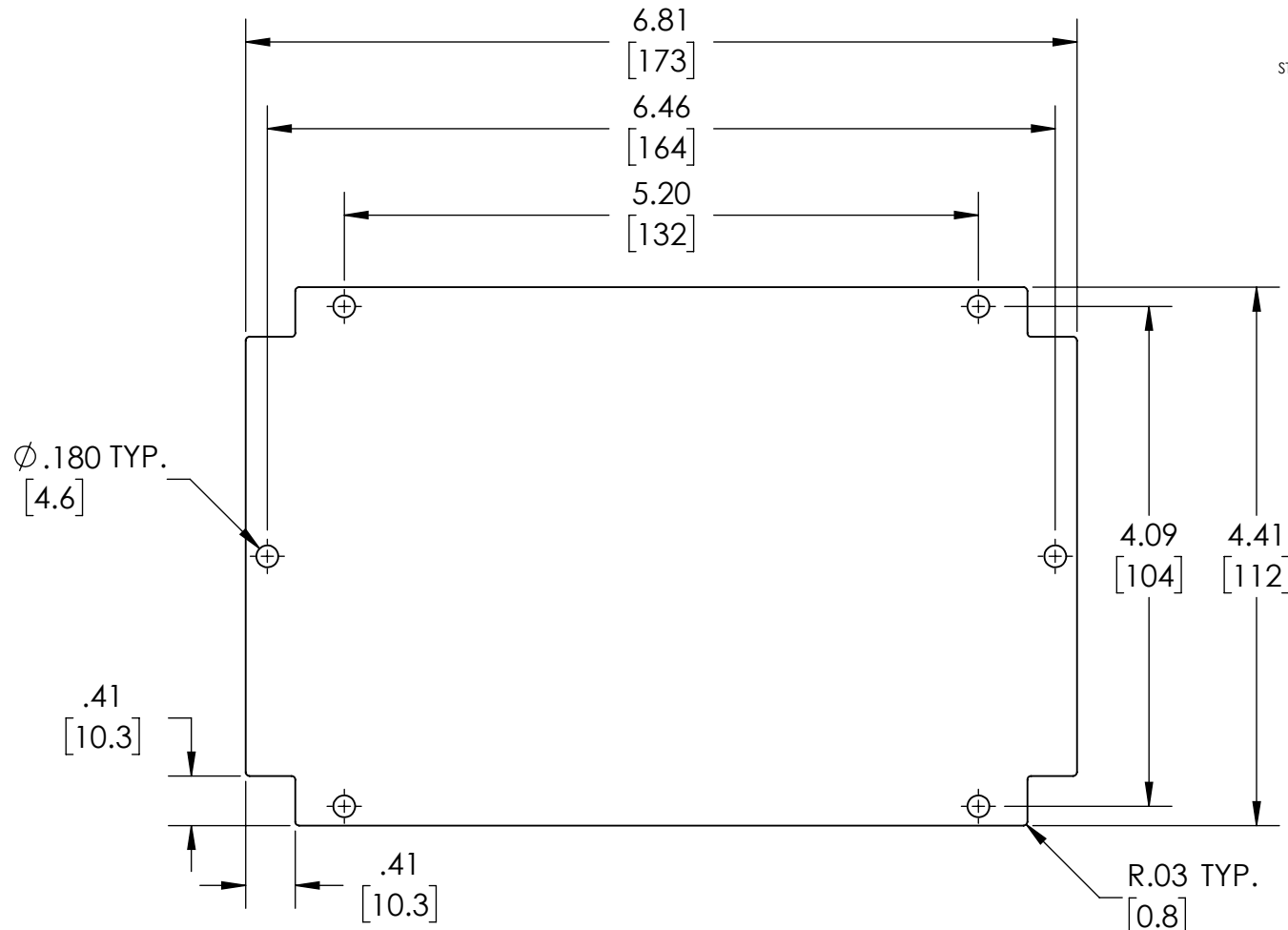
INTERNAL PANEL

PART  
No.

ANX-93829

REV.  
DATE

8-28-20



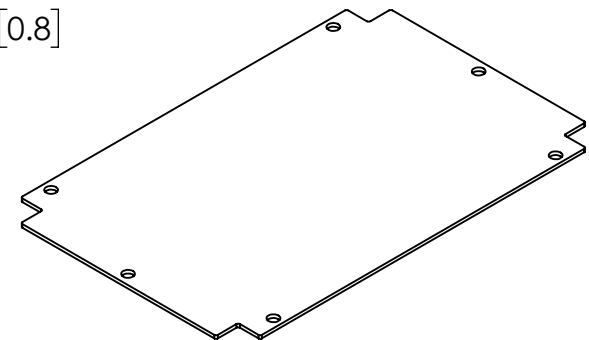
**DRAWING FOR REFERENCE**  
WE RESERVE THE RIGHT TO MAKE CHANGES TO OUR  
STANDARD PRODUCTS. PLEASE CONSULT WITH BUD INDUSTRIES  
PRIOR TO USING THIS DRAWING FOR DESIGN PURPOSE.

MATERIAL - .060 [1.5mm] THK. ALUMINUM

FINISH - NATURAL

SUPPLIED WITH M3.5 x 6mm LG. SELF-THREADING SCREWS  
(PAN HD., PHILLIPS DRIVE, STEEL, ZINC PLATED) FOR  
MOUNTING.

PANEL FITS THE FOLLOWING ENCLOSURES:  
ANS-3829, ANS-3831, IPS-3929 & IPS-3931



## X-ON Electronics

Largest Supplier of Electrical and Electronic Components

*Click to view similar products for* [Electrical Enclosure Accessories](#) *category:*

*Click to view products by* [Bud Industries](#) *manufacturer:*

Other Similar products are found below :

[1307GSKTSC](#) [1335GSKT3](#) [14101FP-PK](#) [BAS-5104](#) [CB-1263-BT](#) [60121-04-028 C-275 Black](#) [AXX2POSTBRCKT](#) [FUPMESK](#)  
[1317GSKTSC](#) [DVA.1-30-15-SST-M8-20-55](#) [DVC.1-50-46-15-M10-28-55](#) [DVC.1-10-4,5-8-M4-10-40](#) [DVC.1-10-8-10-M4-10-40](#) [DVC.1-30-22-20-M8-20-40](#) [DVC.2-40-20-48-M8-23-55](#) [DVC.3-95-80-75-M16-55](#) [96126](#) [GN 967-20-40-F-1-ZB](#) [GN 967-45-45-L-2-ZB](#) [JUMO-01-20](#) [52100623](#) [53801100](#) [53801125](#) [430081](#) [430086](#) [GN 4490-ZD-38-1-SR](#) [USRE-20.04](#) [UT-33.3](#) [UT-81.1](#) [DIN 7603-AL-24-29-A](#) [DIN 7603-AL-8-11,5-A](#) [DIN 7603-CU-20-24-A](#) [01-0016.00X2.5 ORING 75FPM BROWN](#) [01-0021.00X2.5 ORING 80FPM BROWN](#) [01-0025.00X1.5 ORING 80FPM BROWN](#) [01-0007.00X2.5 ORING 80FPM BROWN](#) [01-0009.00X3.5 ORING 80FPM BROWN](#) [171 PG29](#) [FG13LH15A700S11](#) [IPV-67101-B](#) [KM-320BK](#) [KM-320G](#) [KM-340G](#) [01-0005.00X1.5 ORING 75FPM BROWN](#) [01-0005.00X2 ORING 80FPM BROWN](#) [01-0005.00X3 ORING 80FPM BROWN](#) [01-0005.94X3.53 ORING 80FPM BROWN](#) [01-0006.00X1.5 ORING 80FPM BROWN](#) [01-0006.00X2.5 ORING 80FPM BROWN](#) [01-0006.00X2 ORING 80FPM BROWN](#)