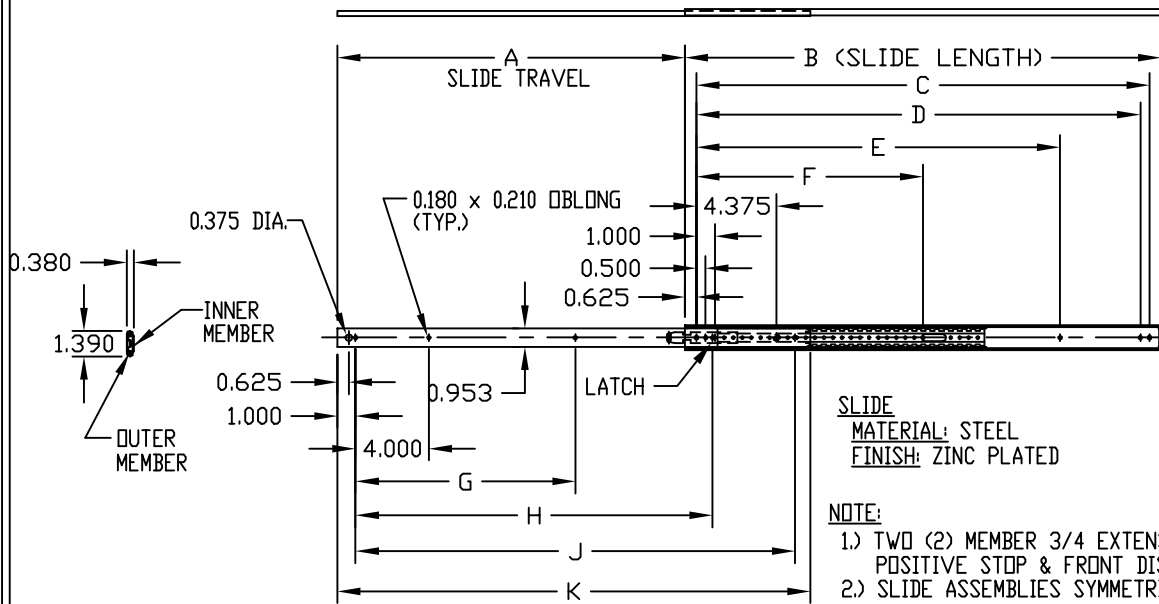


PART NAME

SLIDING MECHANISMS

PART No.

AS-5000-A TO AS-5004-A



SLIDE
MATERIAL: STEEL
FINISH: ZINC PLATED

NOTE:

- 1.) TWO (2) MEMBER 3/4 EXTENSION WITH POSITIVE STOP & FRONT DISCONNECT.
- 2.) SLIDE ASSEMBLIES SYMMETRICAL, MAY BE USED AS RIGHT OR LEFT HAND.
- 3.) SOLD IN PAIRS.

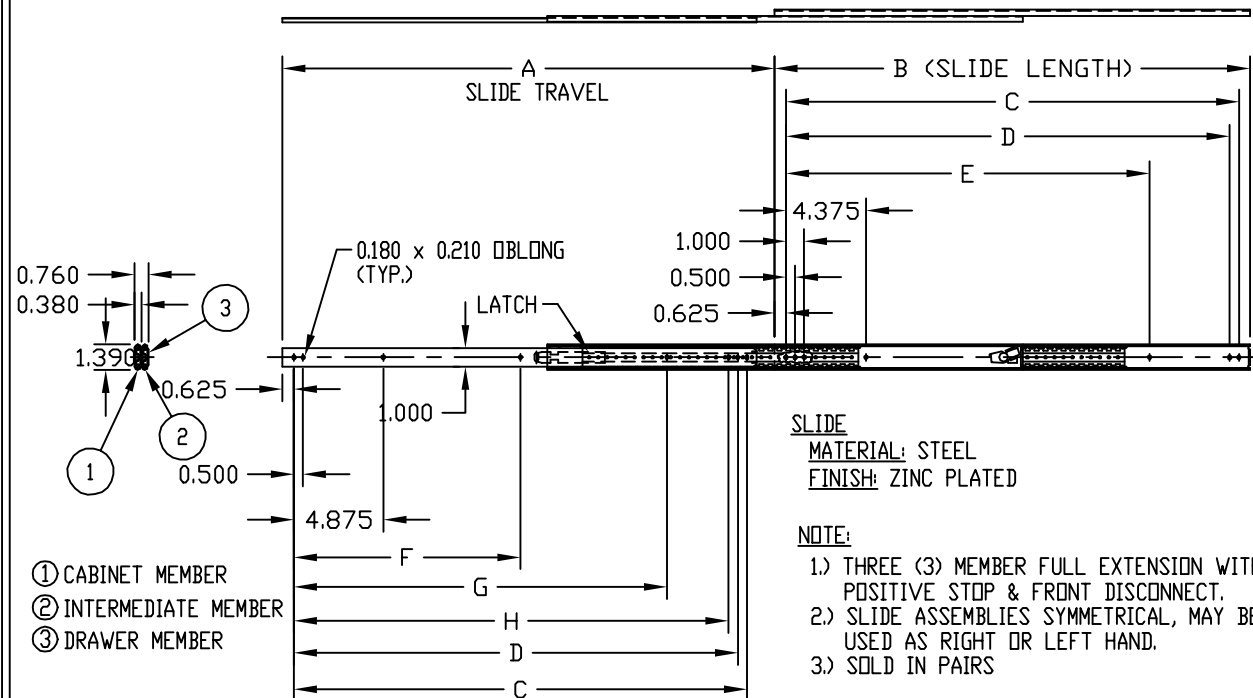
PART No.	A	B	C	D	E	F	G	H	J	K	LOAD RATING PER PAIR	WEIGHT PER PAIR
AS-5000-A	8.000	12.000	10.750	10.250	5.875	-----	-----	8.500	10.000	11.840	140 LBS.	1.3 LBS.
AS-5001-A	12.000	16.000	14.750	14.250	9.875	-----	-----	12.500	14.000	15.840	120 LBS.	1.7 LBS.
AS-5002-A	15.000	20.000	18.750	18.250	13.875	9.375	9.000	15.500	18.000	19.840	92 LBS.	2.3 LBS.
AS-5004-A	19.000	26.000	24.750	24.250	19.875	12.375	12.000	19.500	24.000	25.840	70 LBS.	2.9 LBS.

PART NAME

SLIDING MECHANISMS

PART No.

AS-5042-A



SLIDE
MATERIAL: STEEL
FINISH: ZINC PLATED

NOTE:

- 1.) THREE (3) MEMBER FULL EXTENSION WITH POSITIVE STOP & FRONT DISCONNECT.
- 2.) SLIDE ASSEMBLIES SYMMETRICAL, MAY BE USED AS RIGHT OR LEFT HAND.
- 3.) SOLD IN PAIRS

PART No.	A	B	C	D	E	F	G	H	LOAD RATING/PR.	WEIGHT/PR.
AS-5042-A	20.880	20.000	18.750	18.250	13.875	9.375	14.375	17.750	91 LBS.	4.2 LBS.

X-ON Electronics

Largest Supplier of Electrical and Electronic Components

Click to view similar products for [Racks & Rack Cabinet Accessories](#) category:

Click to view products by [Bud Industries](#) manufacturer:

Other Similar products are found below :

[M00-PLN](#) [F2424](#) [8351-832-A-24](#) [9104](#) [9105](#) [PLFF2000](#) [H-9163-B](#) [1427C3](#) [HTS10](#) [PC-79](#) [SC10-3A](#) [SC4-28](#) [CG3-340S/12](#) [CP-001BK](#)
[M6123-4007-SS](#) [TS170](#) [LP40](#) [5261304-07](#) [CG3-160G](#) [7112C-PLN](#) [ALUM](#) [CM10](#) [8610-3124-S-26](#) [TS81](#) [7142](#) [GP134](#) [M6125-4007-A-24](#)
[M6127-4007-SS](#) [PBCOVER](#) [512](#) [AEG-4000G](#) [AEG-3000G](#) [HD99](#) [SR2-66A2](#) [FP10B4HP-1](#) [SR16-66A2](#) [FP52-2](#) [1406-1006-01](#) [29478](#)
[TS2535](#) [TS169-6](#) [CAC2](#) [HA19-3U](#) [BR-19-10-1](#) [TS180](#) [CG3-ESD](#) [SC11-1](#) [CFS-1.00/2.20](#) [HEC0800PB](#) [ZC633R](#) [140PLN](#)