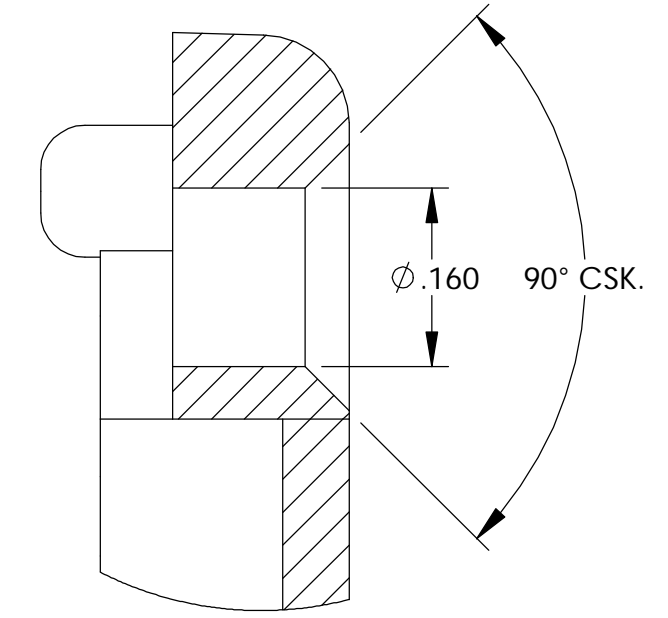
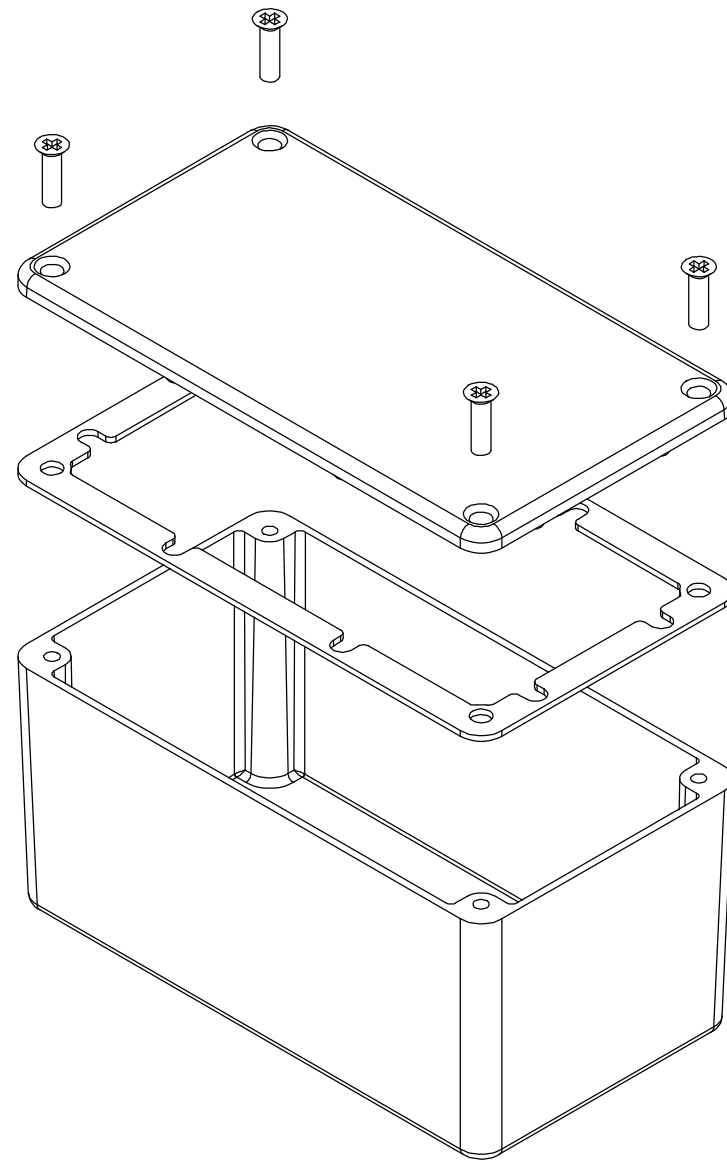


THE INFORMATION CONTAINED IN THIS DRAWING IS THE SOLE PROPERTY OF BUD INDUSTRIES INC. ANY REPRODUCTION IN PART OR WHOLE WITHOUT THE WRITTEN PERMISSION OF BUD INDUSTRIES INC. IS PROHIBITED.

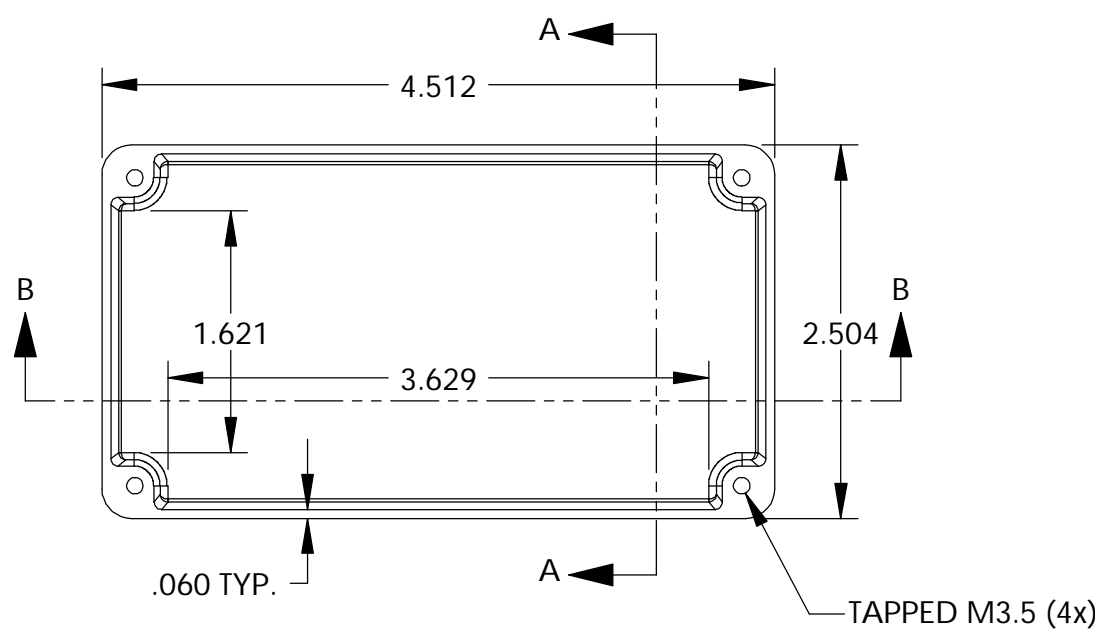
DWG. NO. CN-5704  
 ISSUE REVISIONS

MATERIAL - ALUMINUM ALLOY #ADC-12  
 FINISH - NATURAL (CONTACT BUD FACTORY FOR ALTERNATE FINISHES)  
 GASKET - RATED IP65 NEOPRENE, SELF-ADHESIVE, 3mm THICK, COLOR BLACK  
 SCREWS - STAINLESS STEEL, M3.5 x 12mm LG., CSK. HEAD, SELF-THREADING

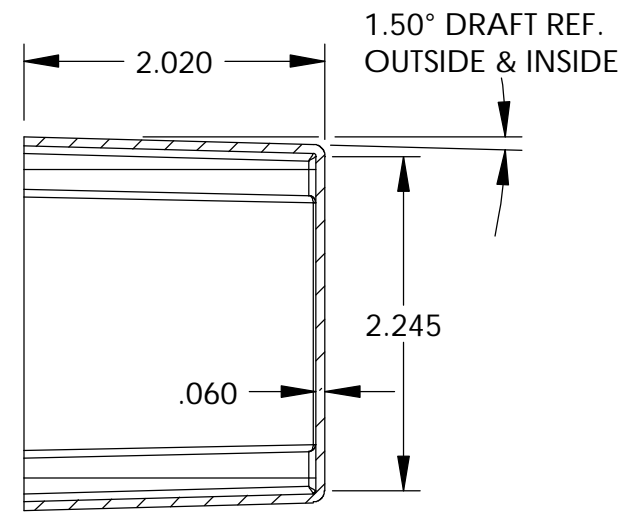
ALL HOLE DIAMETERS HAVE ±.005 TOLERANCE.  
 ALL OTHER DIMENSIONS HAVE ±.015 TOLERANCE.  
 ENCLOSURES ARE SHIPPED UNASSEMBLED WITH ALL ITEMS SHOWN.



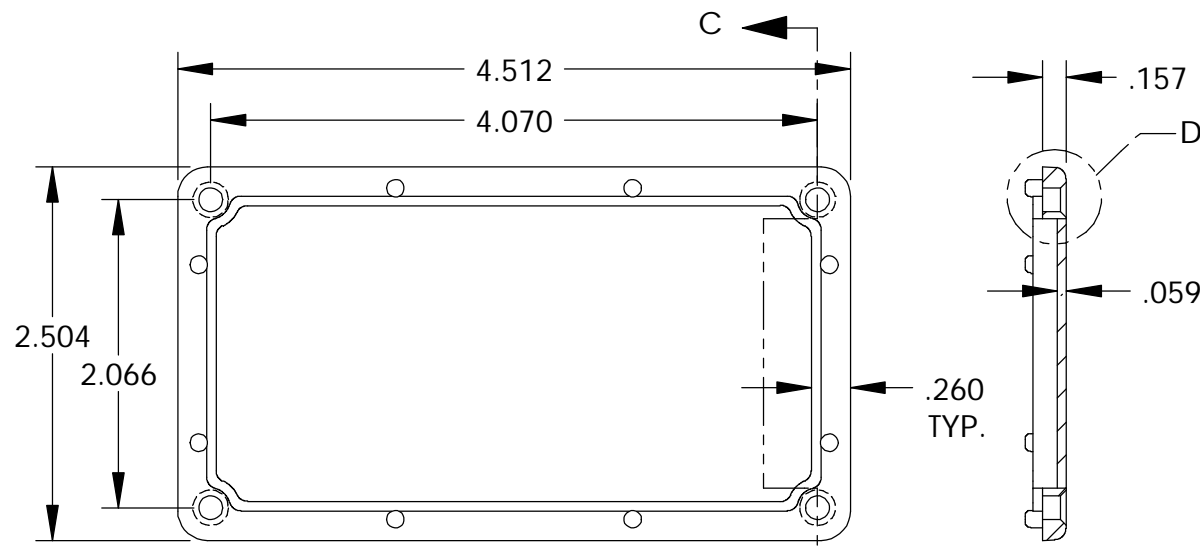
DETAIL D  
 SCALE 6 : 1



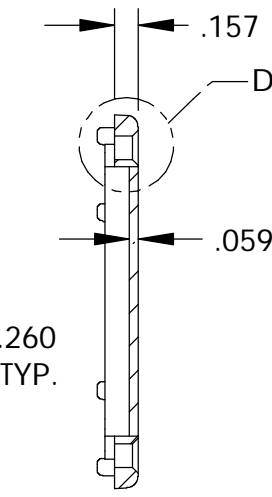
BODY



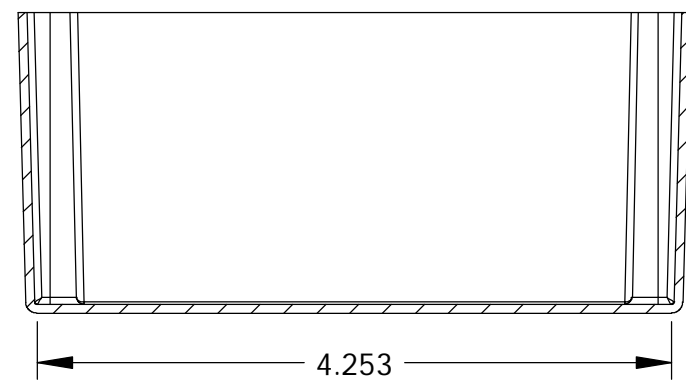
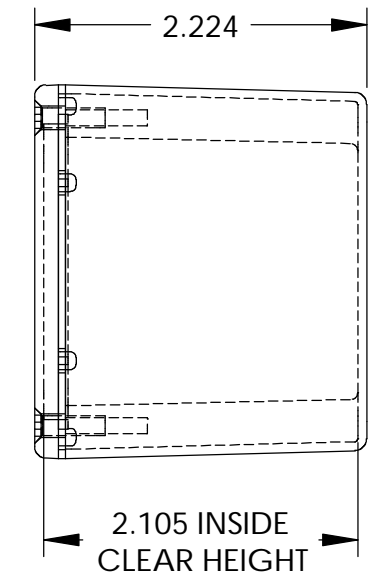
SECTION A-A



COVER



SECTION C-C



SECTION B-B

PARTS LIST

|                                                                                                                                                      |                                                  |         |                                    |  |
|------------------------------------------------------------------------------------------------------------------------------------------------------|--------------------------------------------------|---------|------------------------------------|--|
| ±.005 BETWEEN HOLE CENTERS<br>±.015 FROM SHEARED EDGE<br>±.032 FROM A BENT SURFACE<br>±.062 BETWEEN ASSEMBLED SURFACES<br>UNLESS OTHERWISE SPECIFIED | CAD GENERATED DRAWING.<br>DO NOT MANUALLY UPDATE |         | <b>BUD INDUSTRIES INC.</b>         |  |
| MATERIAL                                                                                                                                             | APPROVALS                                        | DATE    | <b>DIE CAST ALUMINUM ENCLOSURE</b> |  |
| FINISH                                                                                                                                               | DRAWN                                            | CHECKED |                                    |  |
| AS NOTED                                                                                                                                             | DAB                                              | 3-31-06 | APPROVED                           |  |
| AS NOTED                                                                                                                                             |                                                  |         |                                    |  |

|      |         |                      |       |                  |      |
|------|---------|----------------------|-------|------------------|------|
| QTY. | USED ON | DO NOT SCALE DRAWING | SCALE | DWG. NO. CN-5704 | REV. |
|      |         |                      |       |                  |      |

## **X-ON Electronics**

Largest Supplier of Electrical and Electronic Components

*Click to view similar products for [Electrical Enclosures](#) category:*

*Click to view products by [Bud Industries](#) manufacturer:*

Other Similar products are found below :

[120-401](#) [120-905](#) [120-909](#) [120-403](#) [130-004](#) [MR-25L+](#) [30-8739](#) [PIP-11774SCREW](#) [30-9715](#) [30-9777-BU](#) [105-905](#) [110-902](#) [110-901](#)  
[A16N12BLP](#) [110-406](#) [110-401](#) [110-404](#) [120-405](#) [34861601](#) [106-009](#) [106-505](#) [105-405](#) [111-005](#) [127-909](#) [106-502](#) [130-503](#) [127-455](#)  
[9511150](#) [9511017](#) [9820011](#) [NSYTDB5PL](#) [137-455](#) [130-001](#) [105-904](#) [120-404](#) [137-005](#) [130-505](#) [127-406](#) [AB 1,5.0](#) [AB2.0](#) [ABM.0](#)  
[73345601](#) [F-MP](#) [H-MP](#) [M-MP](#) [PAT 12040](#) [2461000](#) [9121230](#) [79541301](#) [19001001](#)