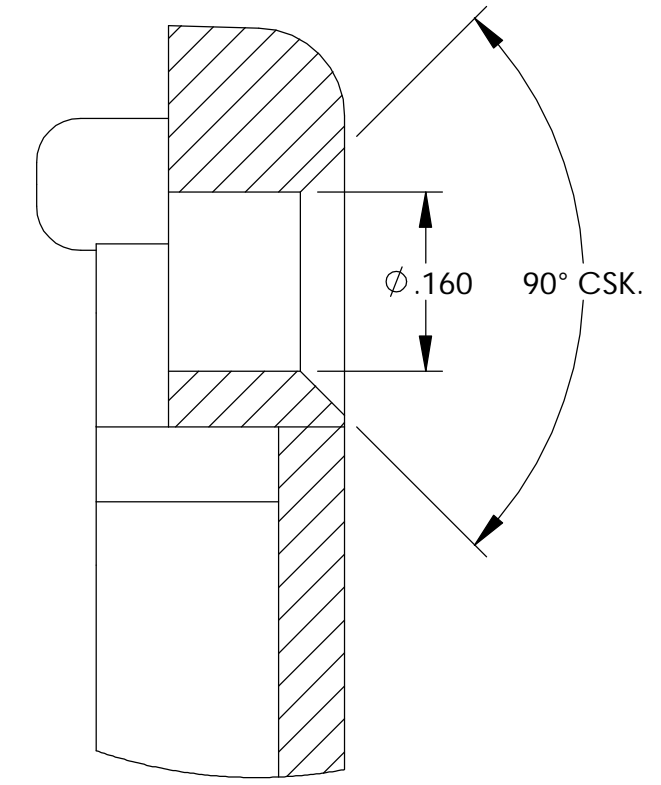
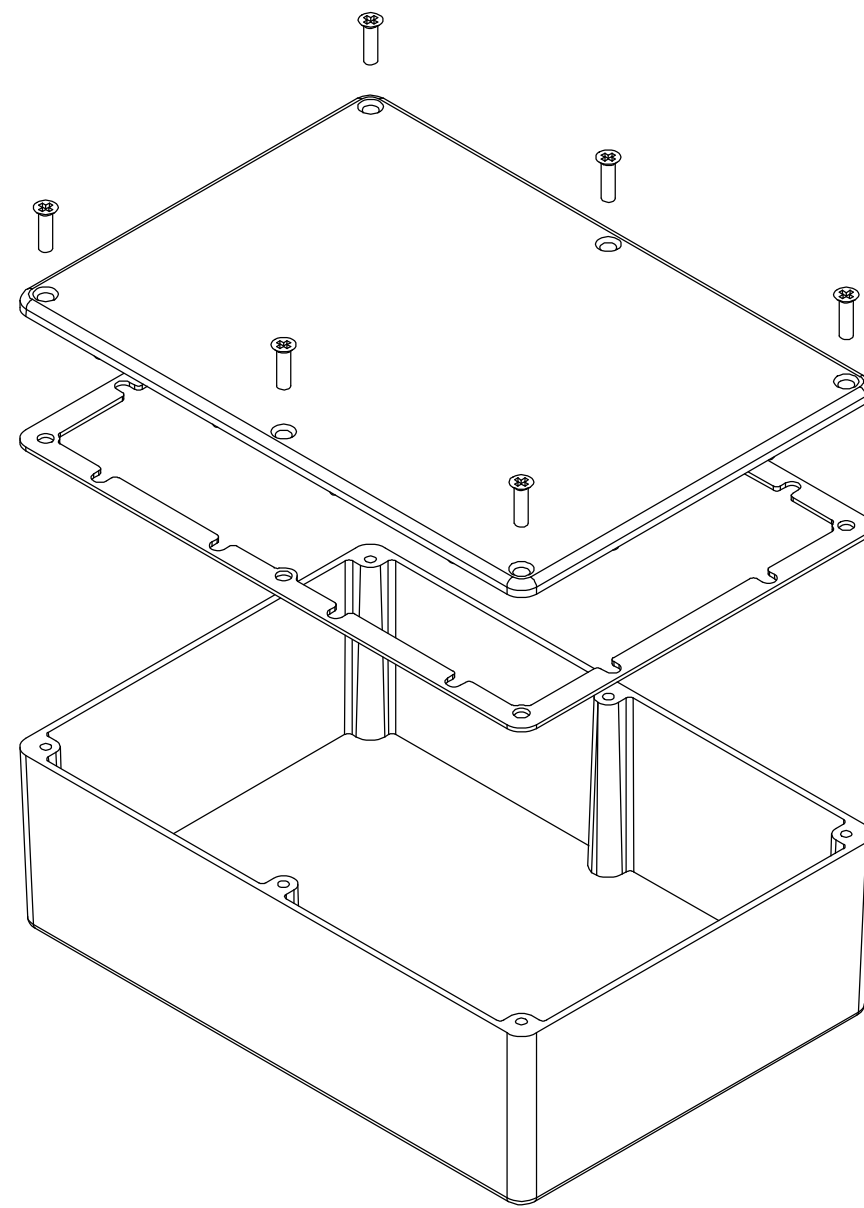


THE INFORMATION CONTAINED IN THIS DRAWING IS THE SOLE PROPERTY OF BUD INDUSTRIES INC. ANY REPRODUCTION IN PART OR WHOLE WITHOUT THE WRITTEN PERMISSION OF BUD INDUSTRIES INC. IS PROHIBITED.

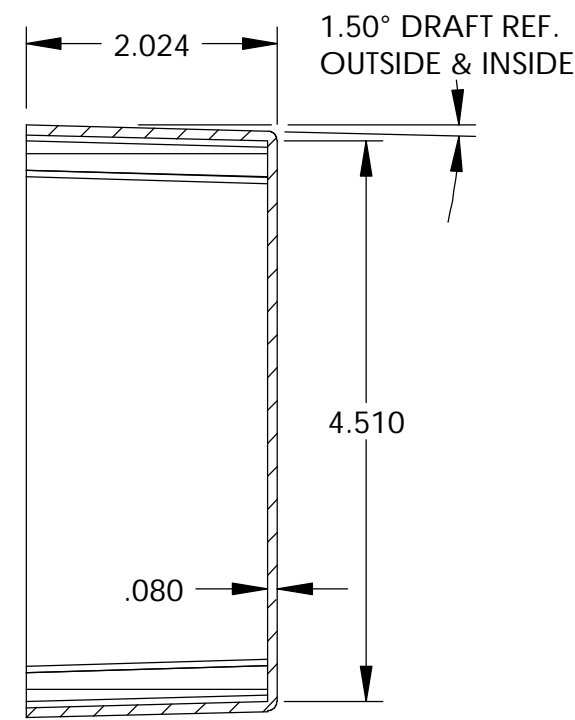
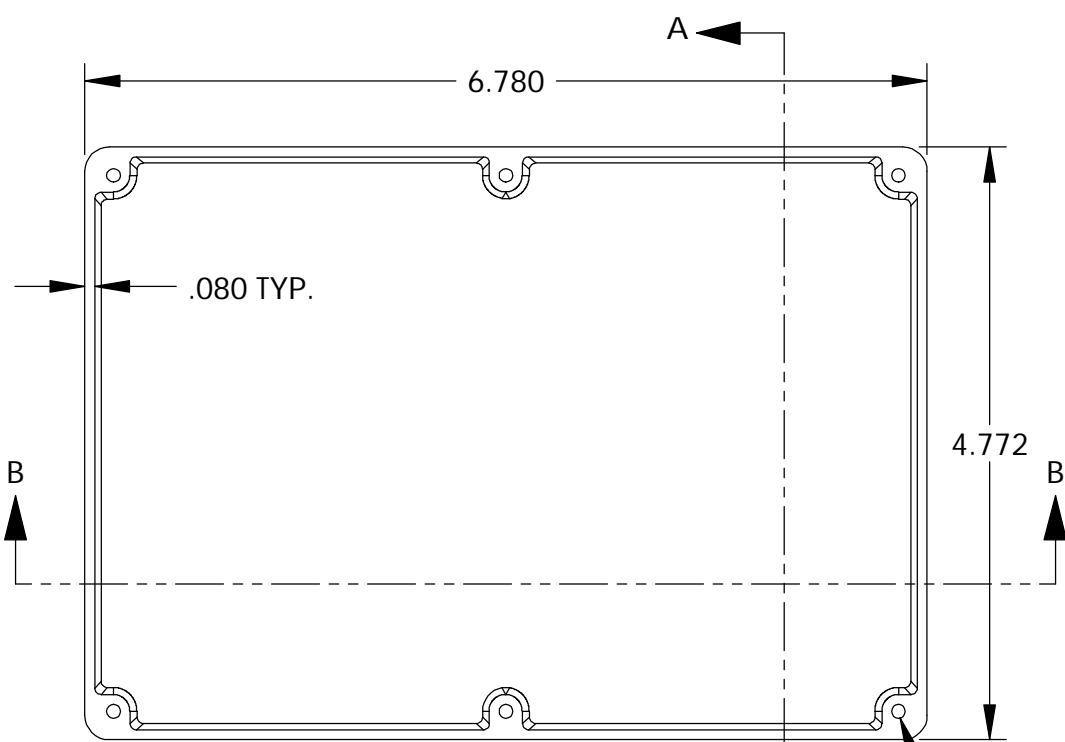
DWG. NO.	CN-5709
ISSUE	REVISIONS

MATERIAL - ALUMINUM ALLOY #ADC-12
 FINISH - NATURAL (CONTACT BUD FACTORY FOR ALTERNATE FINISHES)
 GASKET - RATED IP65 NEOPRENE, SELF-ADHESIVE, 3mm THICK, COLOR BLACK
 SCREWS - STAINLESS STEEL, M3.5 x 12mm LG., CSK. HEAD, SELF-THREADING

ALL HOLE DIAMETERS HAVE ±.005 TOLERANCE.
 ALL OTHER DIMENSIONS HAVE ±.015 TOLERANCE.
 ENCLOSURES ARE SHIPPED UNASSEMBLED WITH ALL ITEMS SHOWN.

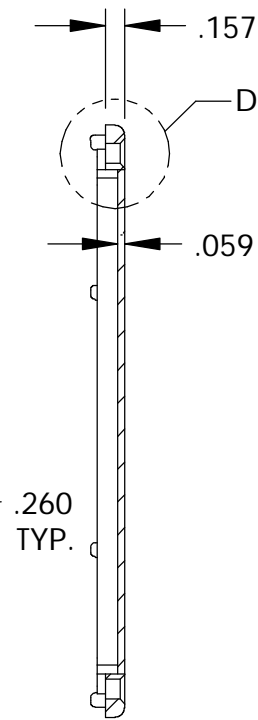
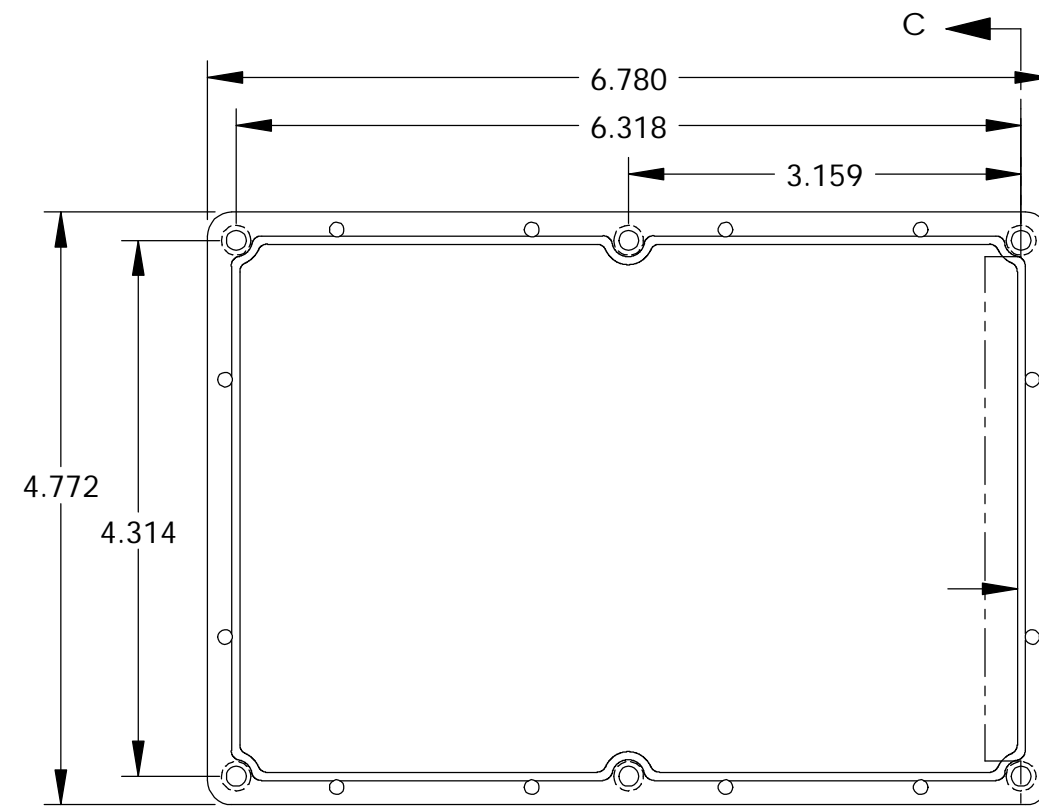


DETAIL D
SCALE 6:1

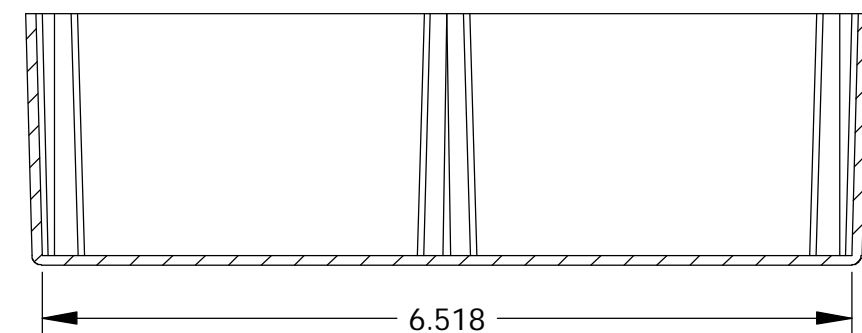
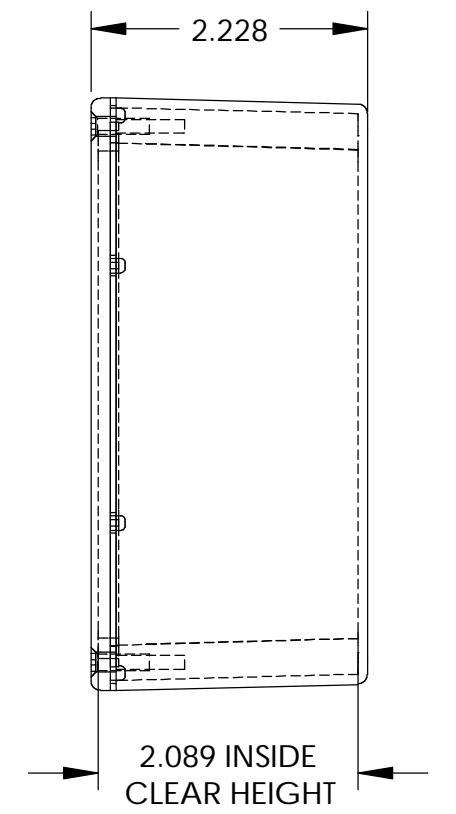


TAPPED M3.5 (6x)

SECTION A-A



SECTION C-C



SECTION B-B

BODY

COVER

PARTS LIST			
±.005 BETWEEN HOLE CENTERS	CAD GENERATED DRAWING. DO NOT MANUALLY UPDATE		
±.015 FROM SHEARED EDGE	BUD INDUSTRIES INC.		
±.032 FROM A BENT SURFACE	DIE CAST ALUMINUM ENCLOSURE		
±.062 BETWEEN ASSEMBLED SURFACES	APPROVALS	DATE	
UNLESS OTHERWISE SPECIFIED	DRAWN	3-31-06	
MATERIAL	CHECKED		
AS NOTED	APPROVED		
AS NOTED			
QTY.	USED ON	DWG. NO.	REV.
		CN-5709	
		SCALE	SHEET 1 OF 1

X-ON Electronics

Largest Supplier of Electrical and Electronic Components

Click to view similar products for [Electrical Enclosures](#) category:

Click to view products by [Bud Industries](#) manufacturer:

Other Similar products are found below :

[120-401](#) [120-905](#) [120-909](#) [120-403](#) [130-004](#) [MR-25L+](#) [30-8739](#) [PIP-11774SCREW](#) [30-9715](#) [30-9777-BU](#) [105-905](#) [110-902](#) [110-901](#)
[A16N12BLP](#) [110-406](#) [110-401](#) [110-404](#) [120-405](#) [34861601](#) [106-009](#) [106-505](#) [105-405](#) [111-005](#) [127-909](#) [106-502](#) [130-503](#) [127-455](#)
[9511150](#) [9511017](#) [9820011](#) [NSYTDB5PL](#) [137-455](#) [130-001](#) [105-904](#) [120-404](#) [137-005](#) [130-505](#) [127-406](#) [AB 1,5.0](#) [AB2.0](#) [ABM.0](#)
[73345601](#) [F-MP](#) [H-MP](#) [M-MP](#) [PAT 12040](#) [2461000](#) [9121230](#) [79541301](#) [19001001](#)