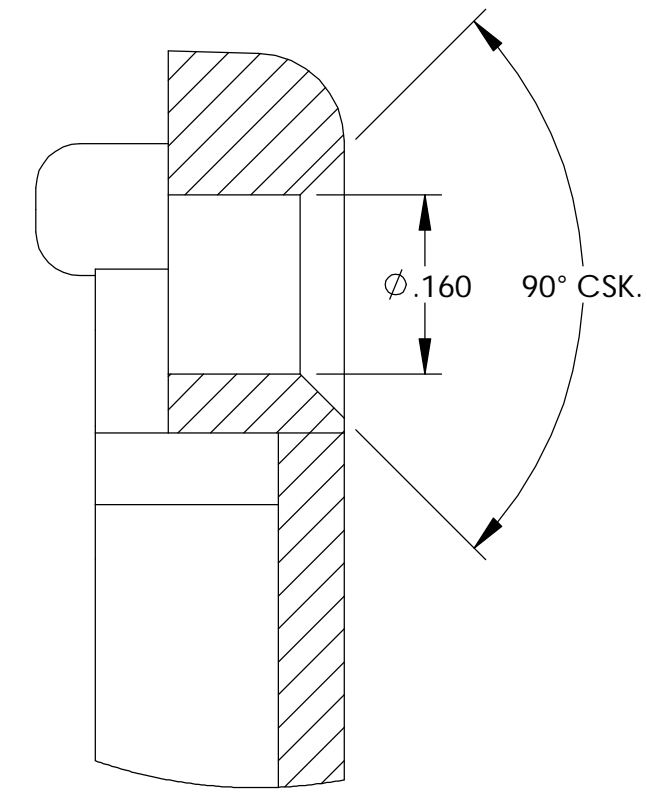
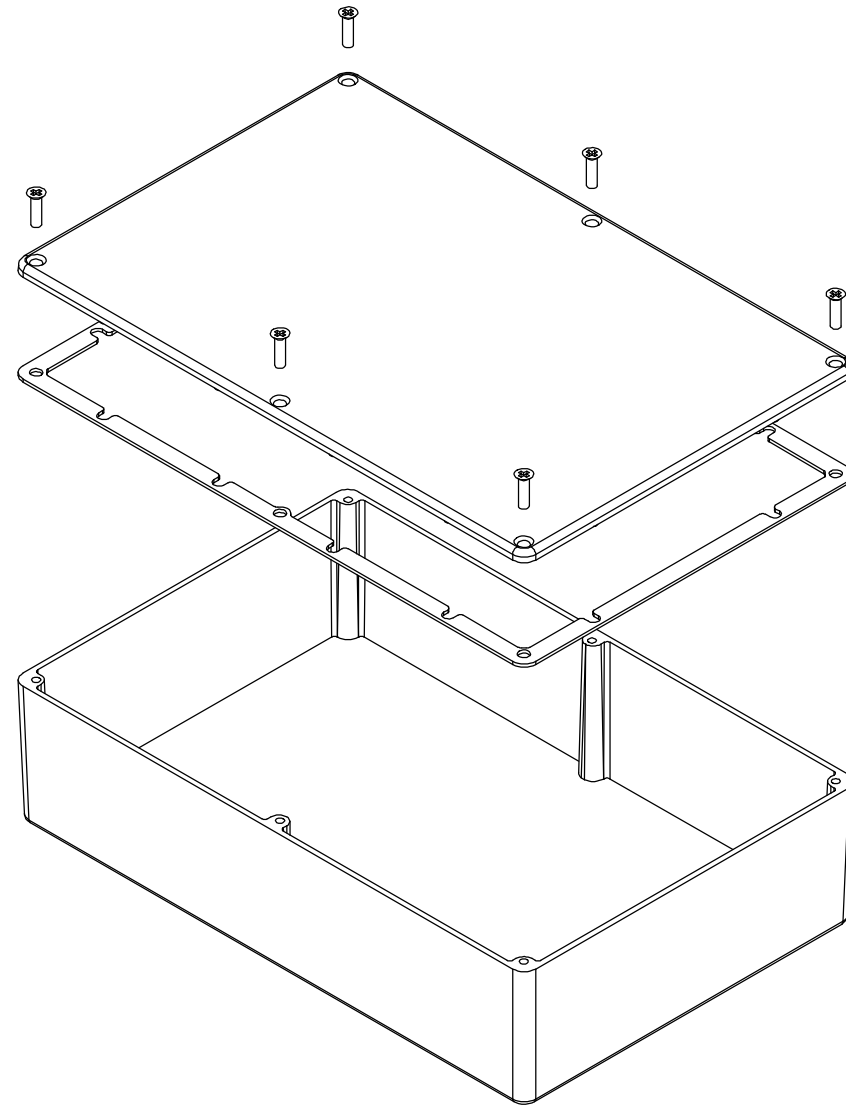


THE INFORMATION CONTAINED IN THIS DRAWING IS THE SOLE PROPERTY OF BUD INDUSTRIES INC. ANY REPRODUCTION IN PART OR WHOLE WITHOUT THE WRITTEN PERMISSION OF BUD INDUSTRIES INC. IS PROHIBITED.

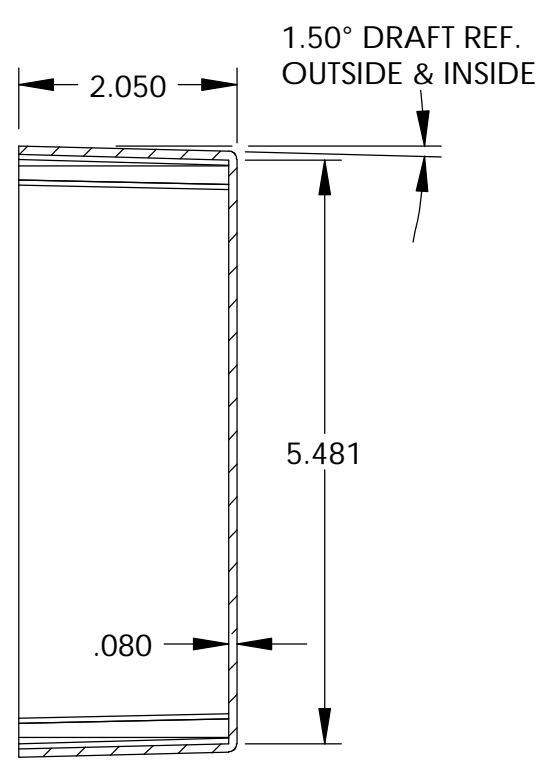
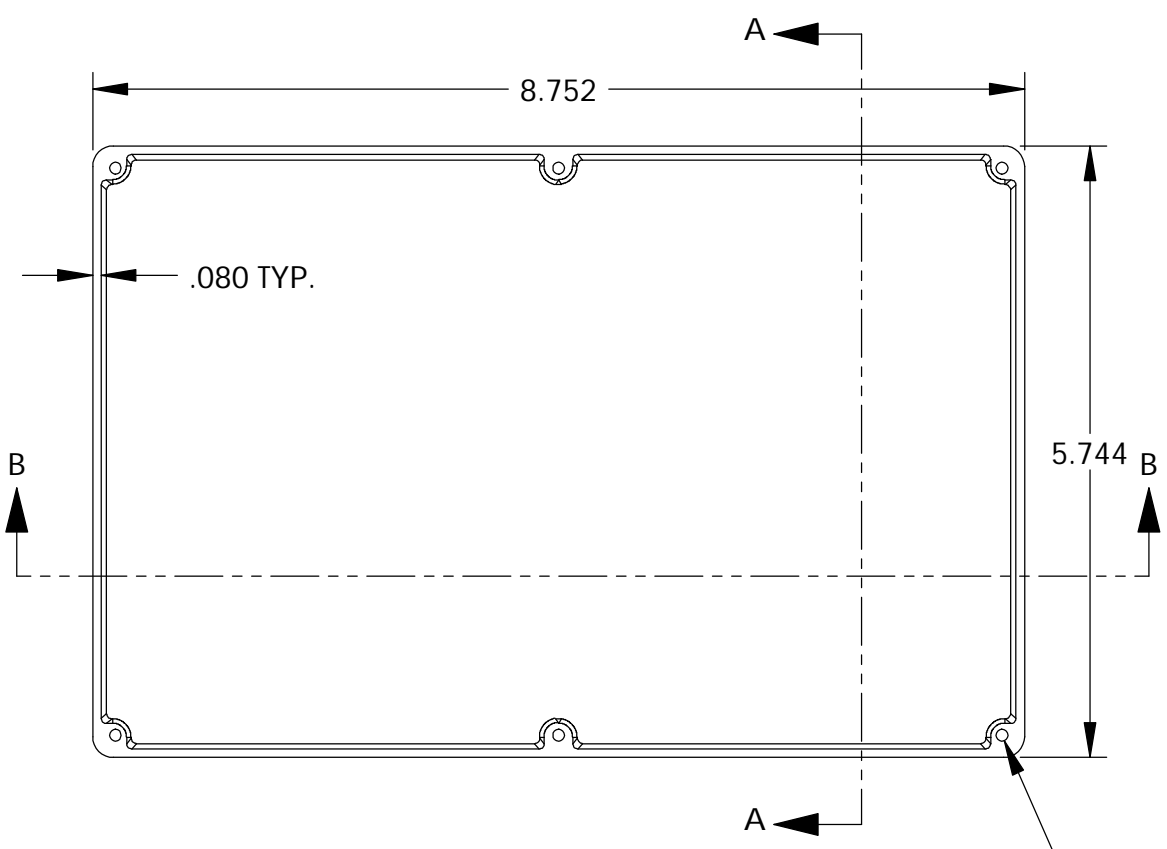
DWG. NO.	CN-5711
ISSUE	REVISIONS

MATERIAL - ALUMINUM ALLOY #ADC-12
 FINISH - NATURAL (CONTACT BUD FACTORY FOR ALTERNATE FINISHES)
 GASKET - RATED IP65 NEOPRENE, SELF-ADHESIVE, 3mm THICK, COLOR BLACK
 SCREWS - STAINLESS STEEL, M3.5 x 12mm LG., CSK. HEAD, SELF-THREADING

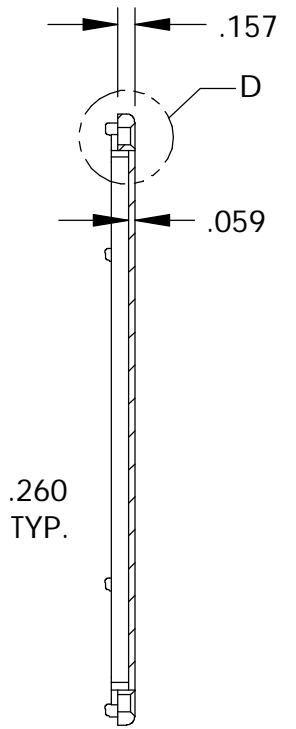
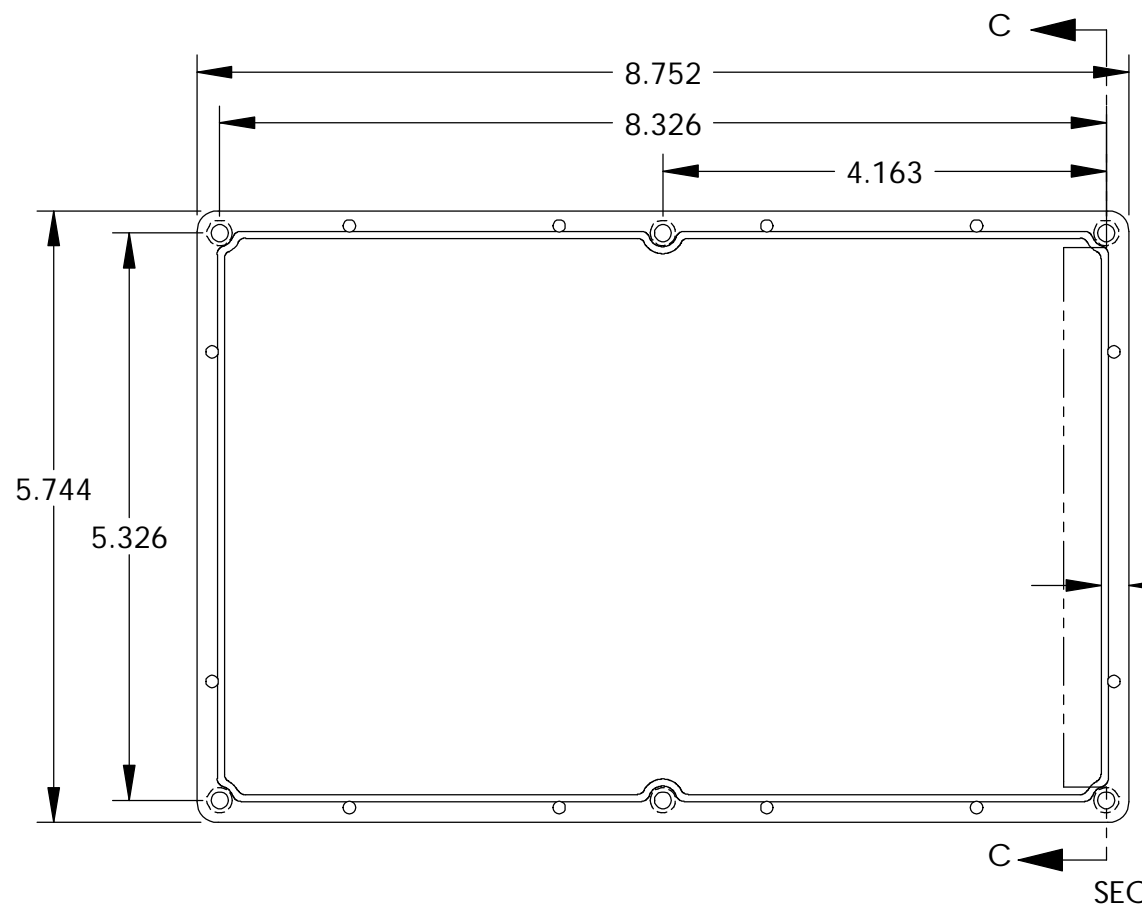
ALL HOLE DIAMETERS HAVE ±.005 TOLERANCE.
 ALL OTHER DIMENSIONS HAVE ±.015 TOLERANCE.
 ENCLOSURES ARE SHIPPED UNASSEMBLED WITH ALL ITEMS SHOWN.



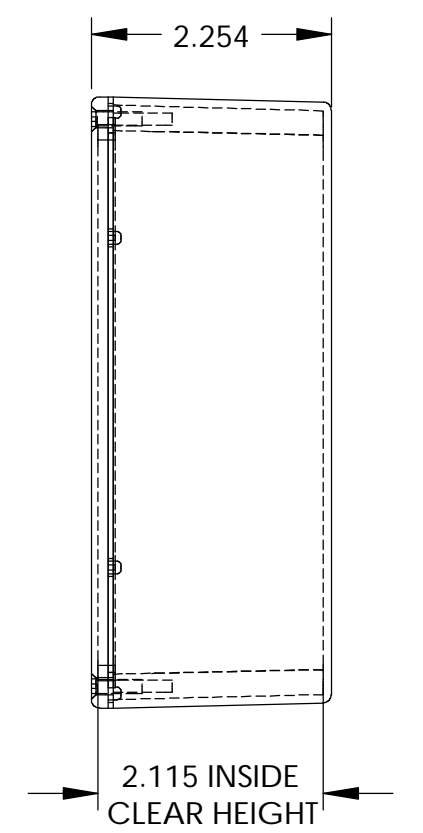
DETAIL D
SCALE 6 : 1



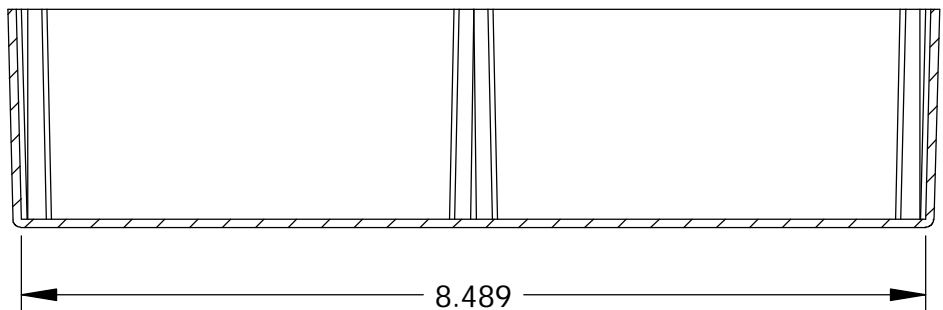
SECTION A-A
TAPPED M3.5 (6x)
BODY



SECTION C-C



COVER



SECTION B-B

PARTS LIST		BUD INDUSTRIES INC.	
±.005 BETWEEN HOLE CENTERS	CAD GENERATED DRAWING. DO NOT MANUALLY UPDATE	DIE CAST ALUMINUM ENCLOSURE	
±.015 FROM SHEARED EDGE	APPROVALS		
±.032 FROM A BENT SURFACE	DRAWN: DAB 3-31-06		
±.062 BETWEEN ASSEMBLED SURFACES	CHECKED:		
UNLESS OTHERWISE SPECIFIED	MATERIAL	DWG. NO. CN-5711 SHEET 1 OF 1	
AS NOTED	FINISH	SCALE: 1:1 CAD FILE:	
AS NOTED	DO NOT SCALE DRAWING	REV:	

QTY.	USED ON

X-ON Electronics

Largest Supplier of Electrical and Electronic Components

Click to view similar products for [Electrical Enclosures](#) category:

Click to view products by [Bud Industries](#) manufacturer:

Other Similar products are found below :

[120-401](#) [120-905](#) [120-909](#) [120-403](#) [130-004](#) [MR-25L+](#) [30-8739](#) [PIP-11774SCREW](#) [30-9715](#) [30-9777-BU](#) [105-905](#) [110-902](#) [110-901](#)
[A16N12BLP](#) [110-406](#) [110-401](#) [110-404](#) [120-405](#) [34861601](#) [106-009](#) [106-505](#) [105-405](#) [111-005](#) [127-909](#) [106-502](#) [130-503](#) [127-455](#)
[9511150](#) [9511017](#) [9820011](#) [NSYTDB5PL](#) [137-455](#) [130-001](#) [105-904](#) [120-404](#) [137-005](#) [130-505](#) [127-406](#) [AB 1,5.0](#) [AB2.0](#) [ABM.0](#)
[73345601](#) [F-MP](#) [H-MP](#) [M-MP](#) [PAT 12040](#) [2461000](#) [9121230](#) [79541301](#) [19001001](#)