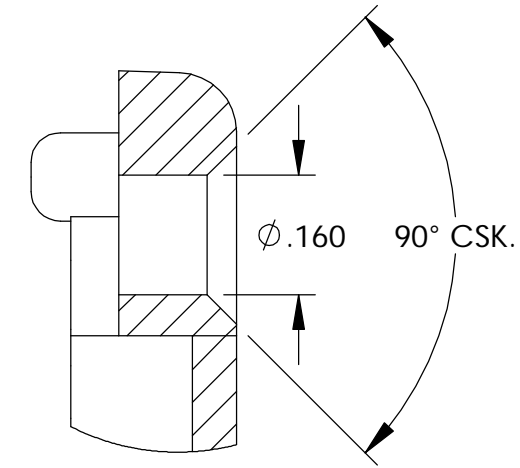


THE INFORMATION CONTAINED IN THIS DRAWING IS THE SOLE PROPERTY OF BUD INDUSTRIES INC. ANY REPRODUCTION IN PART OR WHOLE WITHOUT THE WRITTEN PERMISSION OF BUD INDUSTRIES INC. IS PROHIBITED.

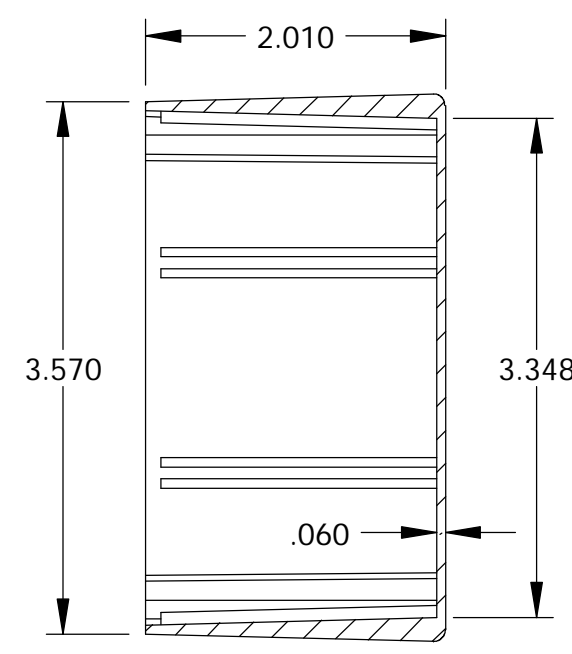
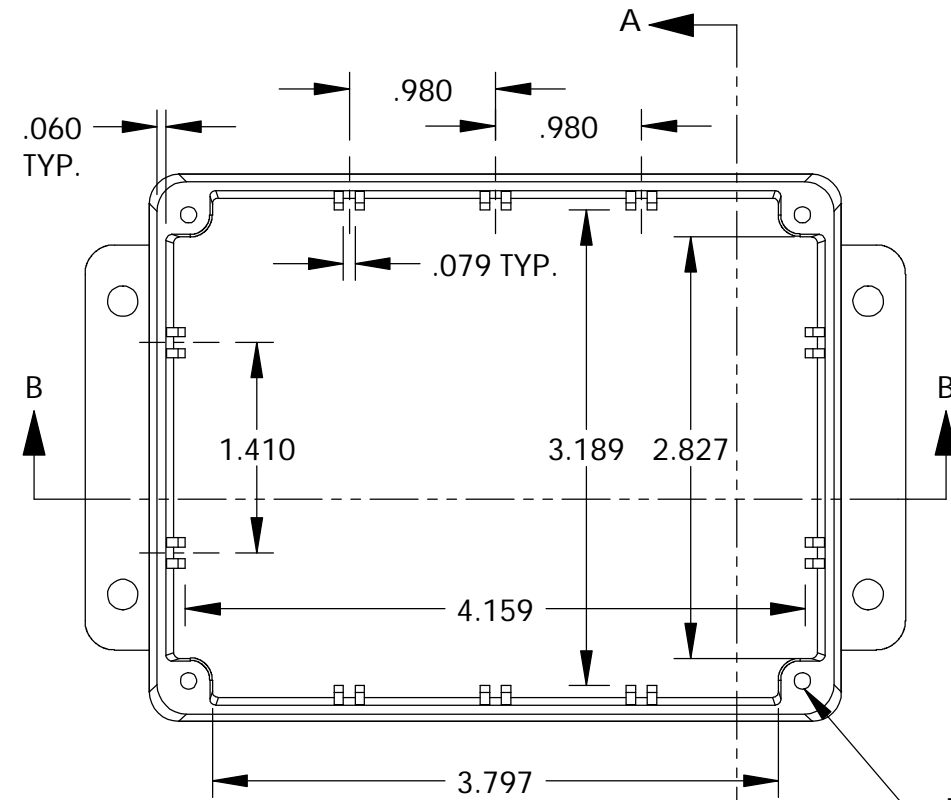
MATERIAL - ALUMINUM ALLOY #ADC-12
 FINISH - NATURAL (CONTACT BUD FACTORY FOR ALTERNATE FINISHES)
 GASKET - RATED IP65 NEOPRENE, SELF-ADHESIVE, 3mm THICK, COLOR BLACK
 SCREWS - STAINLESS STEEL, M3.5 x 12mm LG., CSK. HEAD, SELF-THREADING

ALL HOLE DIAMETERS HAVE $\pm .005$ TOLERANCE.
 ALL OTHER DIMENSIONS HAVE $\pm .015$ TOLERANCE.
 ENCLOSURES ARE SHIPPED UNASSEMBLED WITH ALL ITEMS SHOWN.

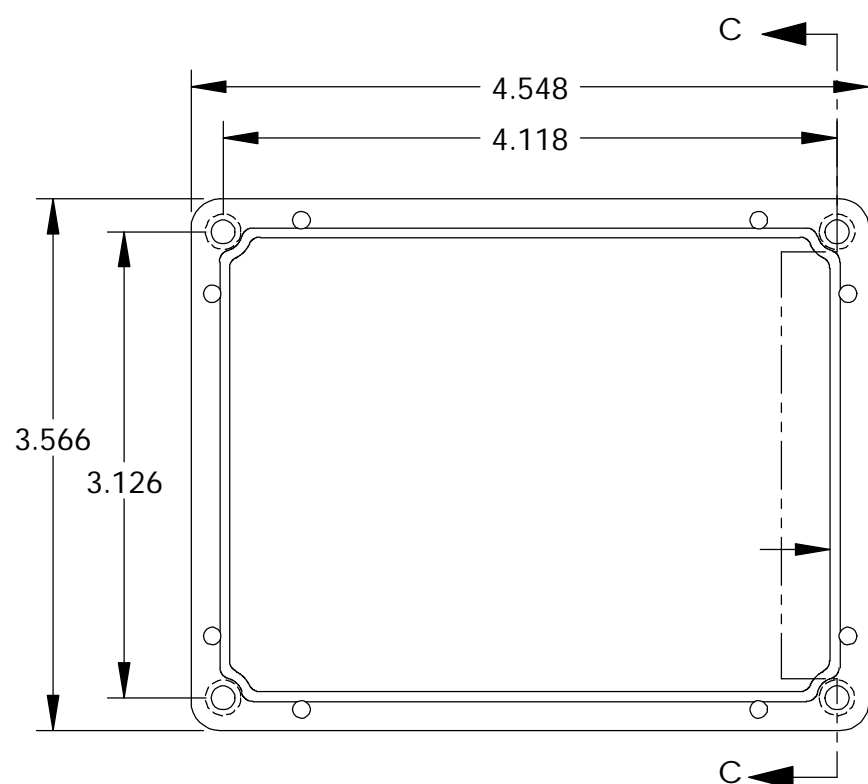
| | |
|----------|-----------|
| DWG. NO. | CN-6705 |
| ISSUE | REVISIONS |
| | |



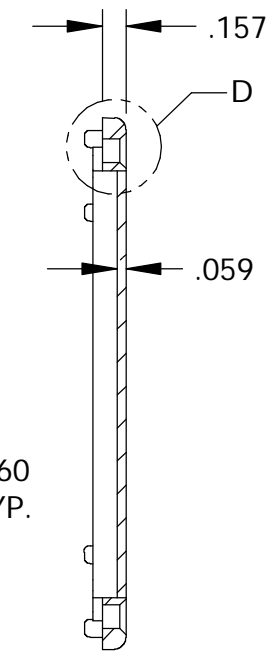
DETAIL D
SCALE 4 : 1



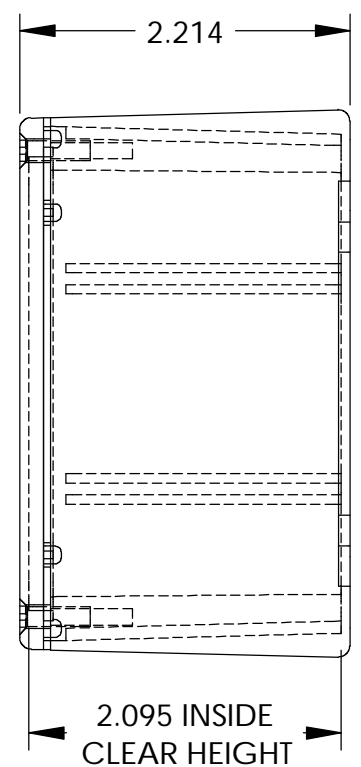
SECTION A-A



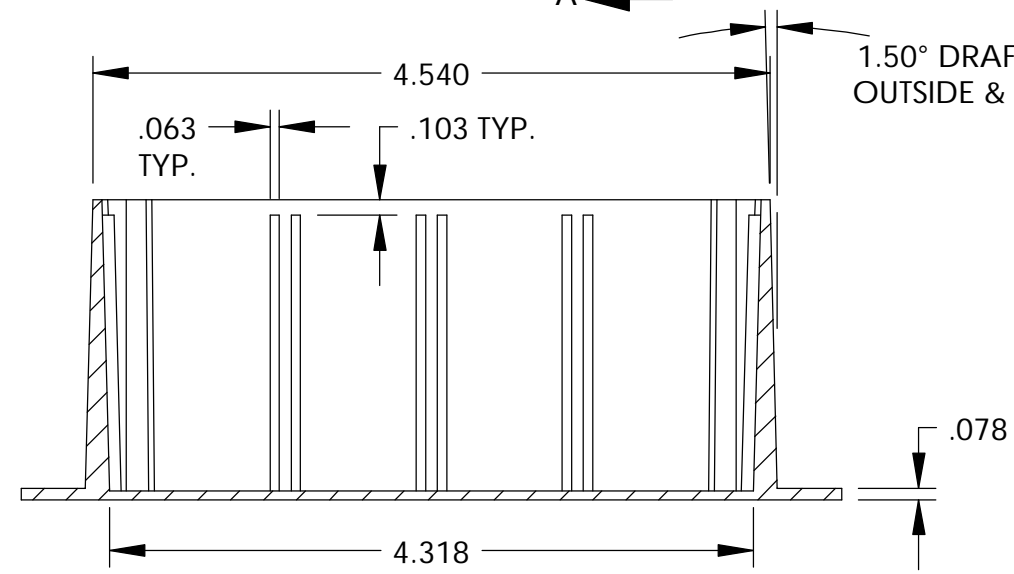
COVER



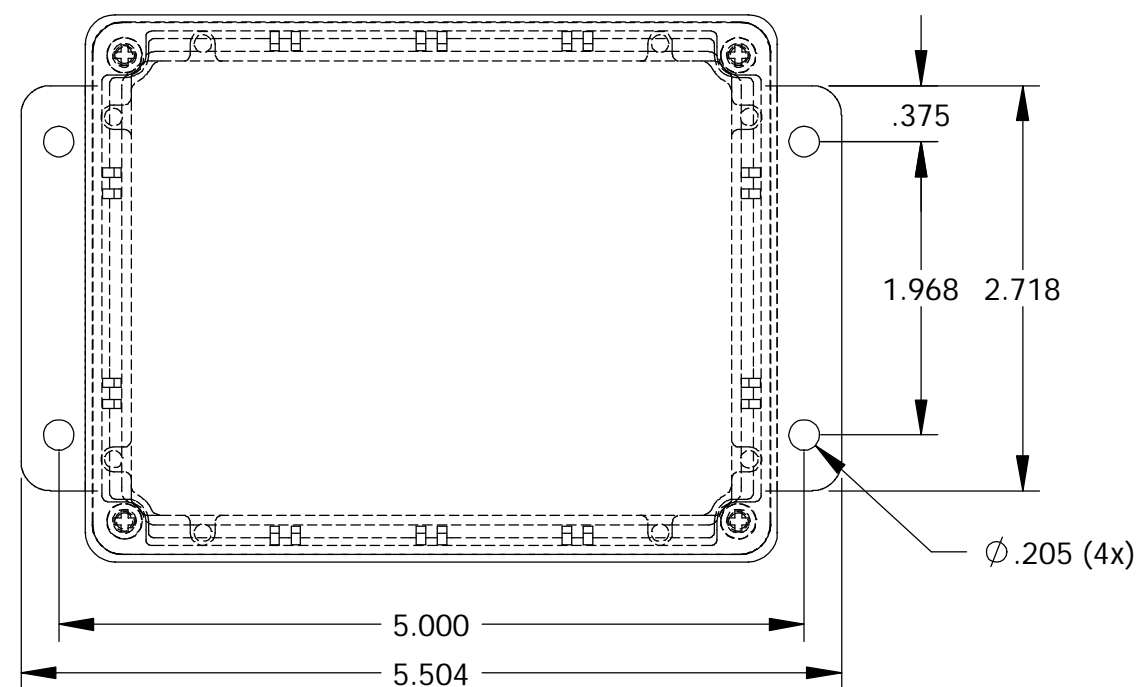
SECTION C-C



2.095 INSIDE CLEAR HEIGHT



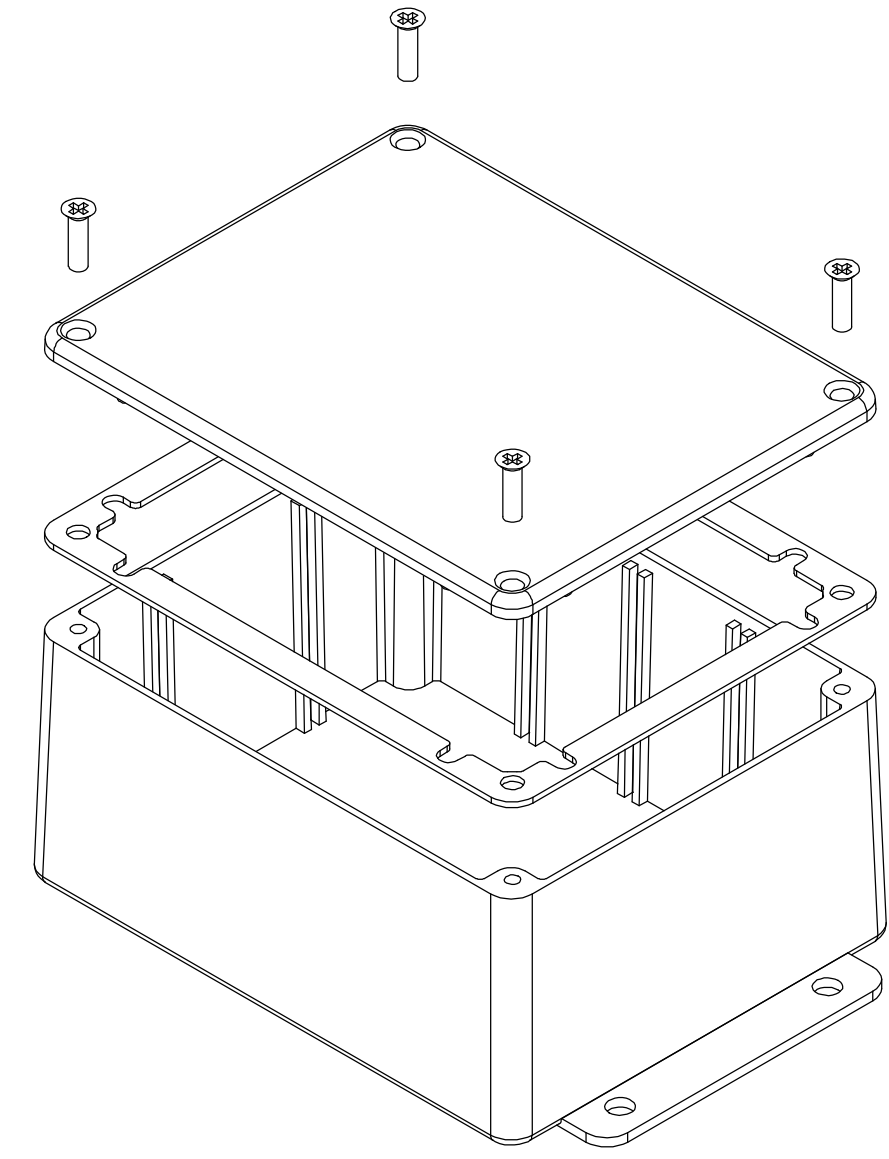
SECTION B-B



TAPPED M3.5 (4x)

1.50° DRAFT REF. OUTSIDE & INSIDE

BODY



| PARTS LIST | | BUD INDUSTRIES INC. | |
|----------------------|----------|-----------------------------|--|
| APPROVALS | DATE | DIE CAST ALUMINUM ENCLOSURE | |
| DRAWN: DAB | 4-3-06 | | |
| CHECKED: | | DWG. NO. CN-6705 | |
| APPROVED: | | | |
| FINISH: AS NOTED | SCALE: C | SHEET 1 OF 1 | |
| DO NOT SCALE DRAWING | | | |

| | |
|------|---------|
| QTY. | USED ON |
| | |

X-ON Electronics

Largest Supplier of Electrical and Electronic Components

Click to view similar products for [Electrical Enclosures](#) category:

Click to view products by [Bud Industries](#) manufacturer:

Other Similar products are found below :

[120-401](#) [120-905](#) [120-909](#) [120-403](#) [130-004](#) [MR-25L+](#) [30-8739](#) [PIP-11774SCREW](#) [30-9715](#) [30-9777-BU](#) [105-905](#) [110-902](#) [110-901](#)
[A16N12BLP](#) [110-406](#) [110-401](#) [110-404](#) [120-405](#) [34861601](#) [106-009](#) [106-505](#) [105-405](#) [111-005](#) [127-909](#) [106-502](#) [130-503](#) [127-455](#)
[9511150](#) [9511017](#) [9820011](#) [NSYTDB5PL](#) [137-455](#) [130-001](#) [105-904](#) [120-404](#) [137-005](#) [130-505](#) [127-406](#) [AB 1,5.0](#) [AB2.0](#) [ABM.0](#)
[73345601](#) [F-MP](#) [H-MP](#) [M-MP](#) [PAT 12040](#) [2461000](#) [9121230](#) [79541301](#) [19001001](#)