

PART NAME

UTILIBOX (STYLE C)

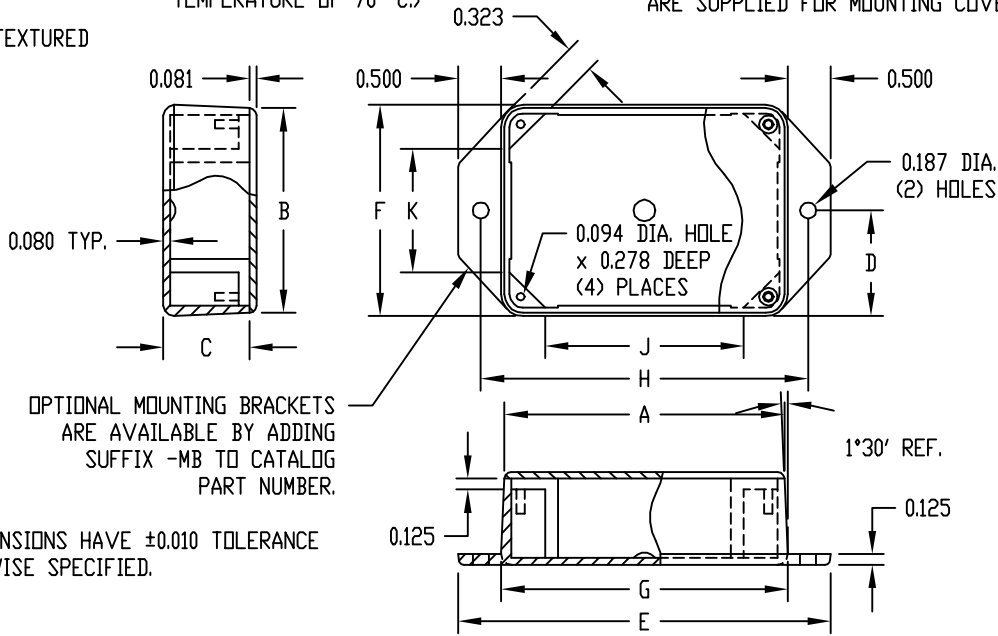
PART No.

CU-382 TO CU-386

**MATERIAL:** ABS THERMOPLASTIC (FLAMMABILITY RATING OF 94V-0 AT 0.080" THICKNESS AND CONTINUOUS USE TEMPERATURE OF 70° C.)

FOUR (4) #4 x 0.500" LG. SELF THREADING SCREWS WITH HI/LOW THREADS ARE SUPPLIED FOR MOUNTING COVER.

**FINISH:** BLACK TEXTURED



OPTIONAL MOUNTING BRACKETS ARE AVAILABLE BY ADDING SUFFIX -MB TO CATALOG PART NUMBER.

**NOTE:** ALL DIMENSIONS HAVE ±0.010 TOLERANCE UNLESS OTHERWISE SPECIFIED.

PART No.	A	B	C	D	E	F	G	H	J	K
CU-382	3.250	2.375	1.000	1.221	4.326	2.442	3.326	3.800	2.297	1.437
CU-383	4.125	2.750	1.000	1.408	5.190	2.816	4.190	4.672	2.218	1.844
CU-384	3.250	3.250	1.250	1.672	4.344	3.344	3.344	3.826	2.328	2.328
CU-385	4.500	3.250	1.250	1.672	5.594	3.344	4.594	5.076	3.578	2.328
CU-386	5.500	3.750	1.250	1.922	6.594	3.844	5.594	6.076	4.578	2.828

PART NAME

UTILIBOX (STYLE G)

PART No.

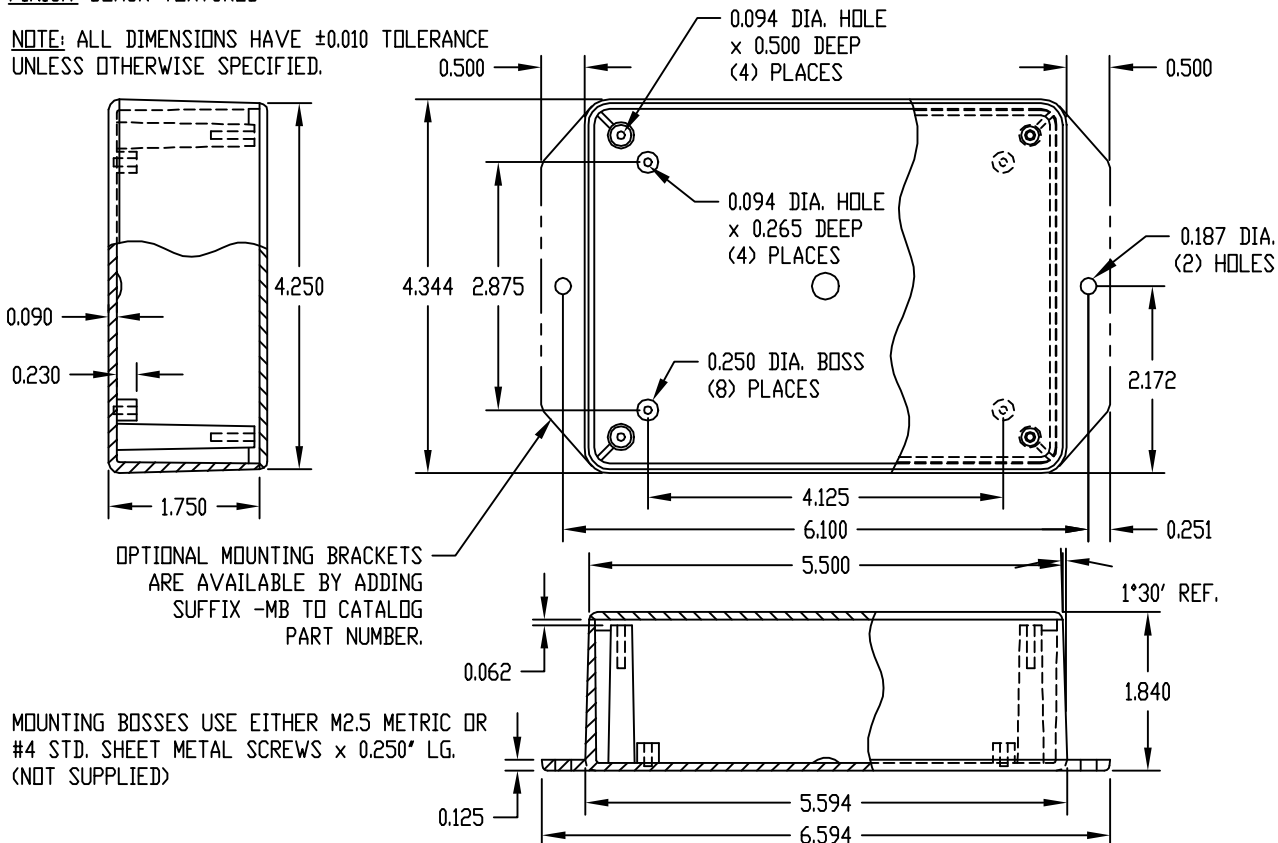
CU-387

**MATERIAL:** ABS THERMOPLASTIC (FLAMMABILITY RATING OF 94V-0 AT 0.080" THICKNESS AND CONTINUOUS USE TEMPERATURE OF 70° C.)

FOUR (4) #4 x 0.500" LG. SELF THREADING SCREWS WITH HI/LOW THREADS ARE SUPPLIED FOR MOUNTING COVER.

**FINISH:** BLACK TEXTURED

**NOTE:** ALL DIMENSIONS HAVE ±0.010 TOLERANCE UNLESS OTHERWISE SPECIFIED.



OPTIONAL MOUNTING BRACKETS ARE AVAILABLE BY ADDING SUFFIX -MB TO CATALOG PART NUMBER.

MOUNTING BOSSES USE EITHER M2.5 METRIC OR #4 STD. SHEET METAL SCREWS x 0.250" LG. (NOT SUPPLIED)

## X-ON Electronics

Largest Supplier of Electrical and Electronic Components

*Click to view similar products for* [Enclosures, Boxes, & Cases](#) *category:*

*Click to view products by* [Bud Industries](#) *manufacturer:*

Other Similar products are found below :

[CR-425 PAINTED](#) [585-R-WH-PK](#) [M-10-PLATED](#) [60221-01](#) [60566-01-000](#) [HPL-9VB BATT DOOR](#) [M-16-LID-PLATED](#) [M18-PLTD](#) [M-21-LID-PLATED](#) [M-21-PLATED](#) [M-23-PLATED](#) [CU-281-MB](#) [6711GSKT](#) [71884-29-028](#) [LH45-100 Black](#) [7200B](#) [72868-510-000](#) [CNS-0000 Black](#) [72883-510-000](#) [CNS-0101 Black](#) [72906-510-000](#) [CNS-0407 Black](#) [73091-510-000](#) [CNM-0000-BLACK Kit](#) [73092-510-000](#) [CNM-0101 Black](#) [73108-510-000](#) [CNL-0303 Black](#) [73395-510-039](#) [CNS-0006 Bone](#) [74257-510-000](#) [CNL-0004](#) [MDC-1183-PLAIN-ALUM](#) [MDC-1183-PTD](#) [MDC-13104-PLAIN-ALUM](#) [MDC-211 - PAINTED IVORY/BEIGE](#) [MDC-321-PTD](#) [MDC-432-PLAIN-ALUM](#) [MDC-973-PTD](#) [76](#) [77153-01-028](#) [FLX6030](#) [83535-01-508](#) [PS-11296-G](#) [PS-11298-B](#) [116-508](#) [120-407](#) [120-412](#) [120-909](#) [120-455](#) [R272-100-000](#) [120-910](#) [R501-001-010](#) [R508-080-000](#) [R508-160-000](#) [R530-120-000](#) [R530-122-000](#) [R530-200-000](#) [R531-160-000](#) [R531-200-000](#) [R582-080-100](#)