

PART NAME	UTILIBOX (STYLE E)	PART No.	CU-793 & CUR-793
-----------	--------------------	----------	------------------

MATERIAL:

ABS THERMOPLASTIC
 (FLAMMABILITY RATING OF 94V-0 AT
 0.070" THICKNESS AND CONTINUOUS
 USE TEMPERATURE OF 70° C.)

0.218 DIA. BOSS WITH
 0.090 DIA. HOLE x 0.500 DEEP
 (4) PLACES

FINISH:

BODY (NO SUFFIX) - OUTSIDE SURFACES ARE TEXTURED FINISH
 WITH TEXTURED INSERT AREA.
 BODY (SUFFIX -R) - OUTSIDE SURFACES ARE TEXTURED FINISH
 WITH SMOOTH RECESSED INSERT AREA.
 COVER - SURFACES ARE SMOOTH.

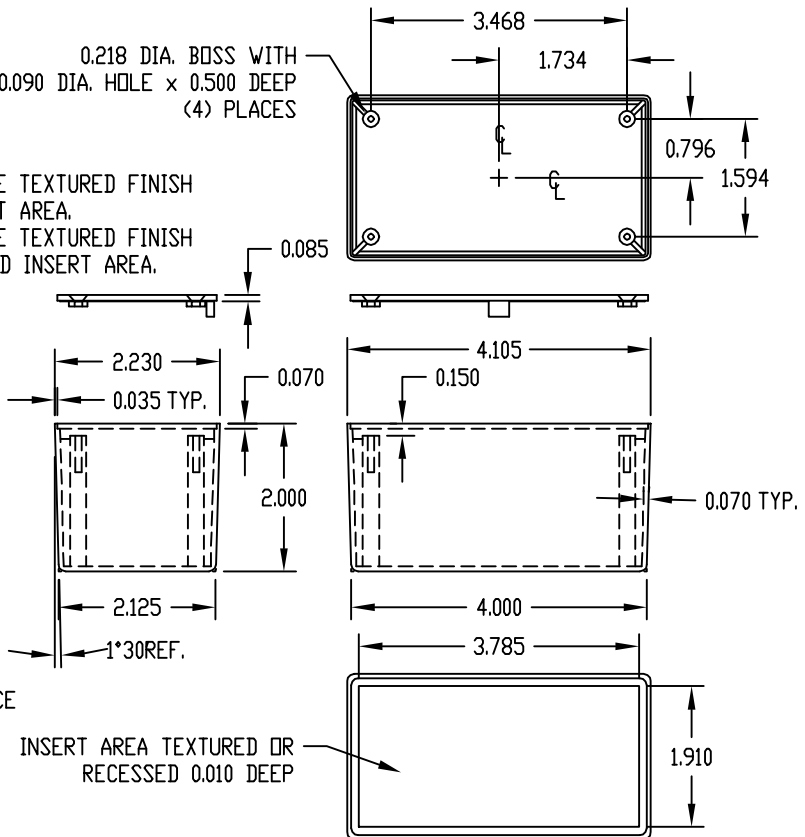
COLOR: BLACK

COVER REDUCES INSIDE HEIGHT BY 0.085.

LENGTH AND WIDTH DIMENSIONS ARE
 TAKEN FROM CLOSED END OF THE BOX.
 DIMENSIONS INCREASE SLIGHTLY AT
 OPEN END DUE TO TAPER.

FOUR (4) #4 x 0.500" LG. SELF THREADING
 SCREWS WITH HI/LOW THREADS
 ARE SUPPLIED FOR MOUNTING COVER.

NOTE: ALL DIMENSIONS HAVE ±0.010 TOLERANCE
 UNLESS OTHERWISE SPECIFIED.



PART NAME	UTILIBOX (STYLE E)	PART No.	CU-793-MB & CUR-793-MB
-----------	--------------------	----------	------------------------

MATERIAL:

ABS THERMOPLASTIC
 (FLAMMABILITY RATING OF 94V-0 AT
 0.070" THICKNESS AND CONTINUOUS
 USE TEMPERATURE OF 70° C.)

0.218 DIA. BOSS WITH
 0.090 DIA. HOLE x 0.500 DEEP
 (4) PLACES

0.187 DIA.
 (2) HOLES

FINISH:

BODY (SUFFIX -MB) - OUTSIDE SURFACES ARE TEXTURED FINISH
 WITH TEXTURED INSERT AREA.
 BODY (SUFFIX -RMB) - OUTSIDE SURFACES ARE TEXTURED FINISH
 WITH SMOOTH RECESSED INSERT AREA.
 COVER - SURFACES ARE SMOOTH.

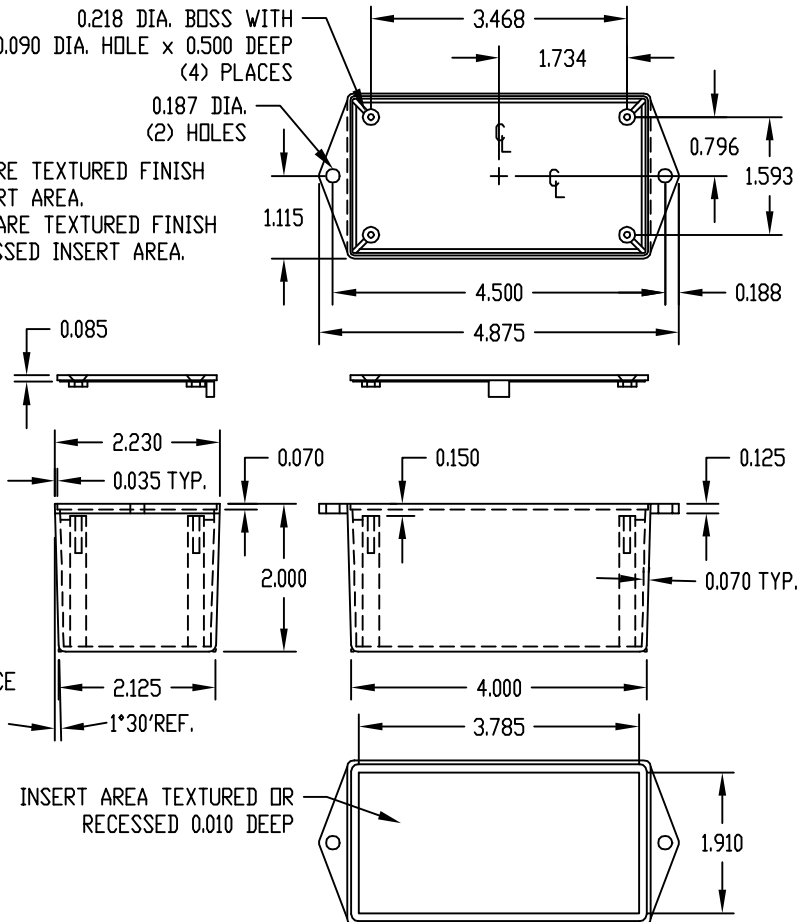
COLOR: BLACK

COVER REDUCES INSIDE HEIGHT BY 0.085.

LENGTH AND WIDTH DIMENSIONS ARE
 TAKEN FROM CLOSED END OF THE BOX.
 DIMENSIONS INCREASE SLIGHTLY AT
 OPEN END DUE TO TAPER.

FOUR (4) #4 x 0.500" LG. SELF THREADING
 SCREWS WITH HI/LOW THREADS
 ARE SUPPLIED FOR MOUNTING COVER.

NOTE: ALL DIMENSIONS HAVE ±0.010 TOLERANCE
 UNLESS OTHERWISE SPECIFIED.



X-ON Electronics

Largest Supplier of Electrical and Electronic Components

Click to view similar products for [Enclosures, Boxes & Cases](#) *category:*

Click to view products by [Bud Industries](#) *manufacturer:*

Other Similar products are found below :

[585-R-WH-PK](#) [M-10-PLATED](#) [60221-01](#) [60566-01-000](#) [HPL-9VB BATT DOOR](#) [M18-PLTD](#) [M-21-PLATED](#) [63310-01-000](#) [6711GSKT](#)
[71884-29-028](#) [LH45-100 Black](#) [72868-510-000](#) [CNS-0000 Black](#) [72883-510-000](#) [CNS-0101 Black](#) [72906-510-000](#) [CNS-0407 Black](#) [73092-](#)
[510-000](#) [CNM-0101 Black](#) [73105-510-000](#) [CNL-0101 Black](#) [73108-510-000](#) [CNL-0303 Black](#) [73395-510-039](#) [CNS-0006 Bone](#) [74016-510-000](#)
[CNL-0006 Black](#) [74257-510-000](#) [CNL-0004](#) [MDC-1183-PLAIN-ALUM](#) [MDC-1183-PTD](#) [MDC-13104-PTD](#) [MDC-973-PTD](#) [76](#)
[77153-01-028](#) [FLX6030](#) [83535-01-508](#) [90026-501-000](#) [PS36-200](#) [116-508](#) [120-407](#) [120-910](#) [127-908](#) [130-008](#) [1301170079](#) [1322GSKTEP](#)
[1325GSKT3](#) [138-PLAIN](#) [1434-1210](#) [EAS-500 \(BLACK ANO\)](#) [1804RP-RB-PK](#) [190-005](#) [2202307](#) [KAB3321 BLACK](#) [KAB3421](#) [2697466](#)
[S52213](#) [2901123](#) [2901699](#) [A0645271](#) [A20P20](#) [2106-IR](#)