



PART NAME

EXTRUDED ALUMINUM IP65 PCB ENCLOSURES

PART No.

EXN-23360 (SEE TABULATION FOR COMBINATIONS)

REVISION DATE

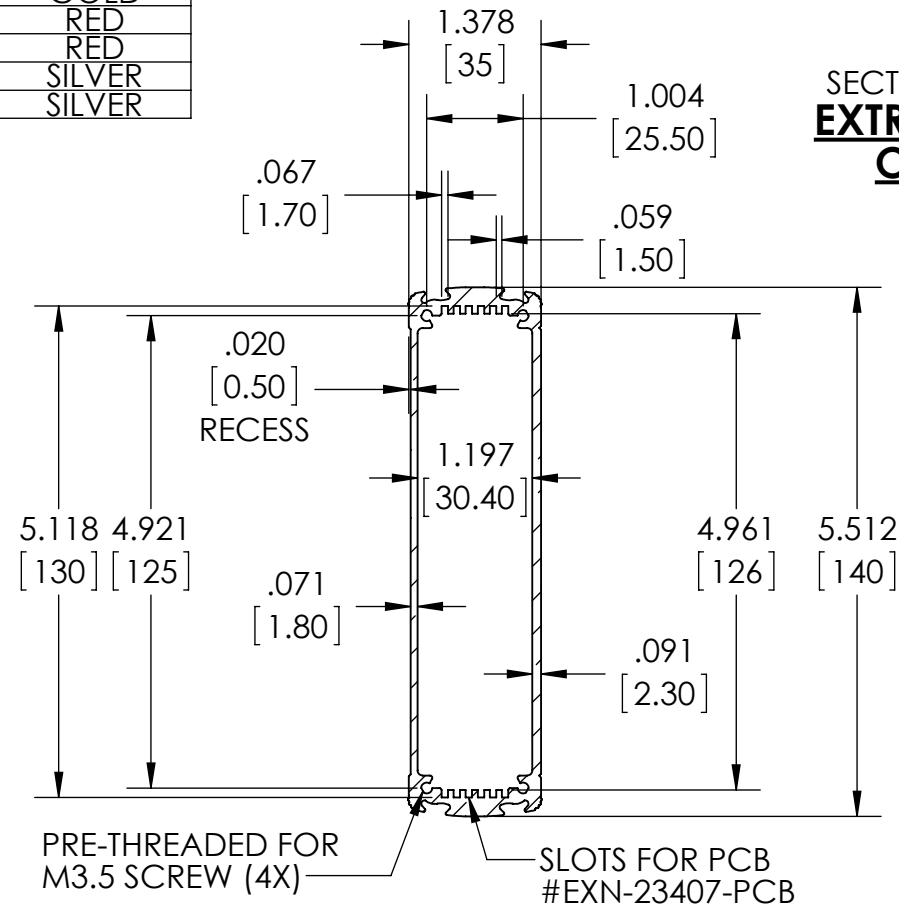
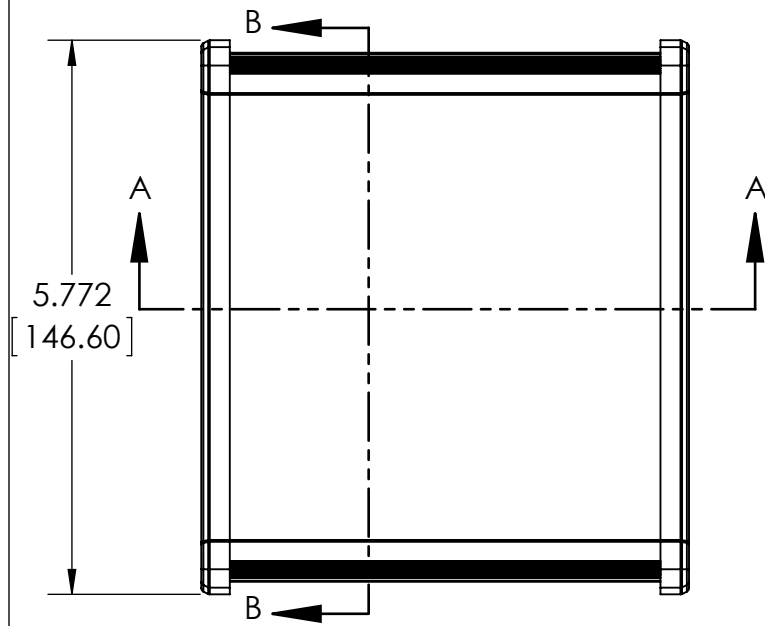
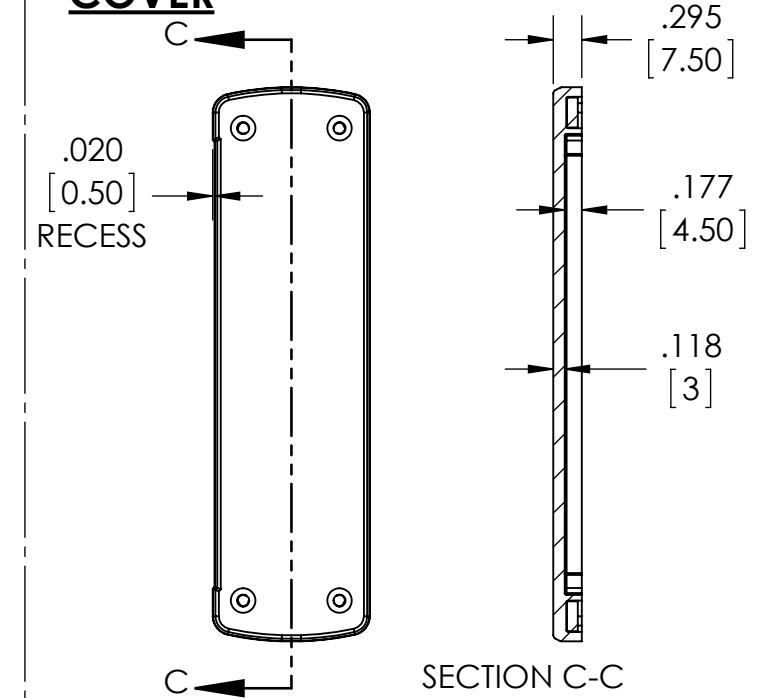
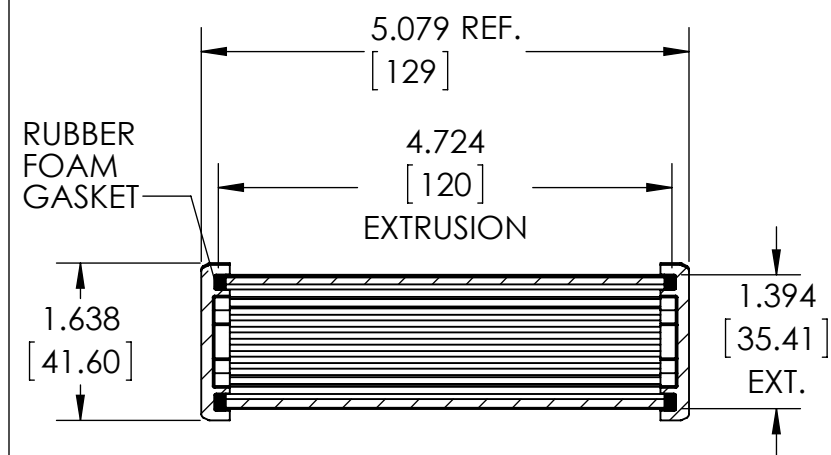
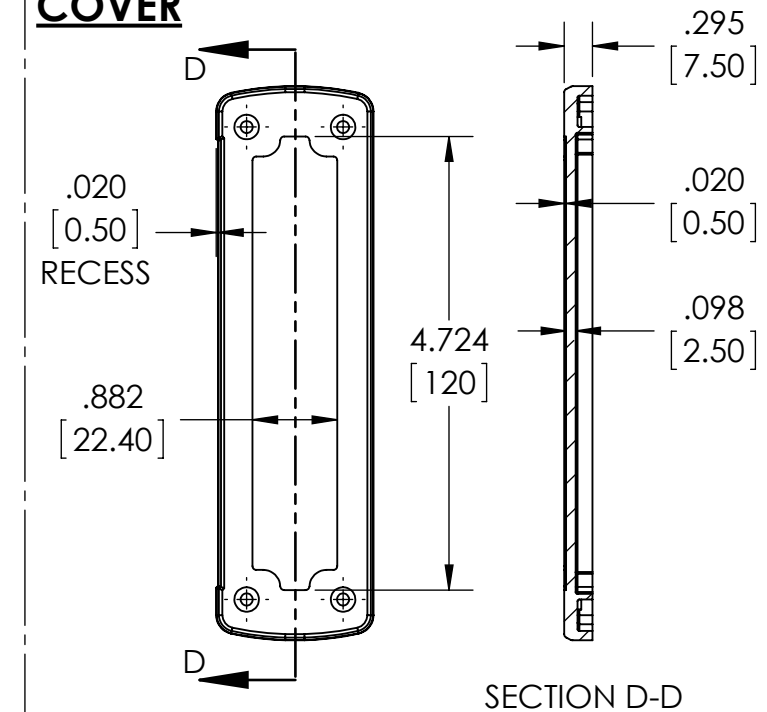
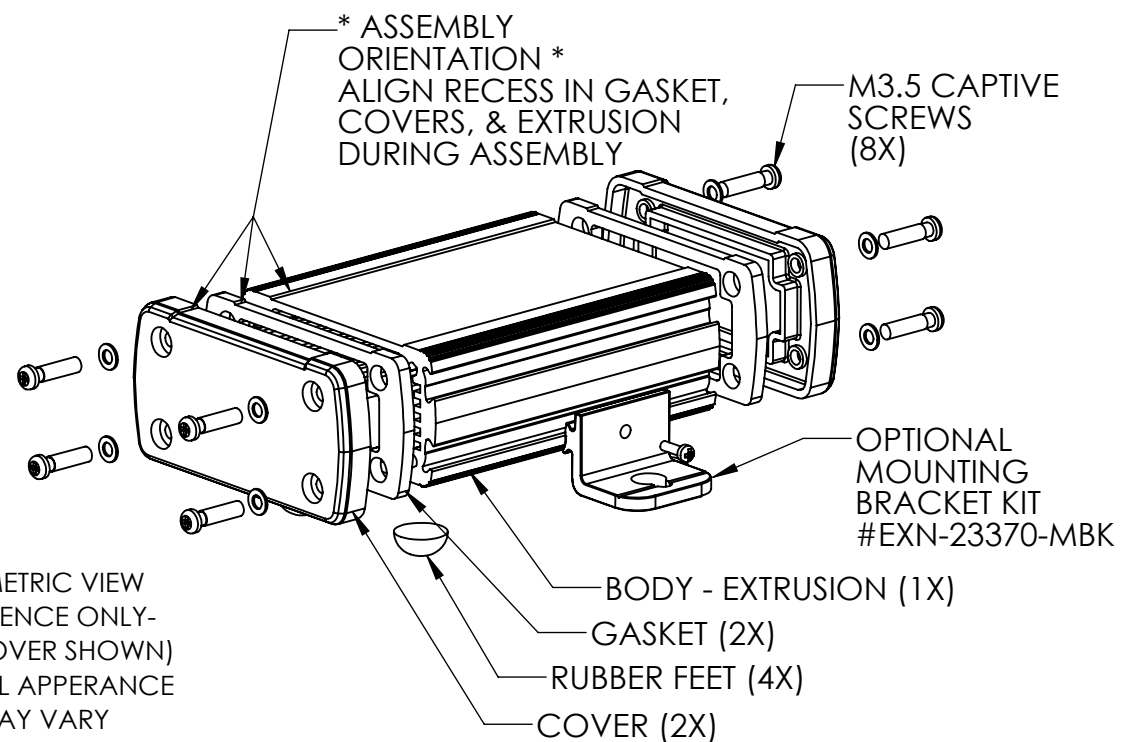
10-23-15

PART NUMBER	ALUM. COVER	PLASTIC COVER	BODY COLOR
EXN-23360-BK	BLACK	-	BLACK
EXN-23360-BKP	-	BLACK	BLACK
EXN-23360-BL	BLACK	-	BLUE
EXN-23360-BLP	-	TRANSLUCENT BLUE	BLUE
EXN-23360-GD	BLACK	-	GOLD
EXN-23360-GDP	-	CLEAR	GOLD
EXN-23360-RD	BLACK	-	RED
EXN-23360-RDP	-	IR RED	RED
EXN-23360-SV	BLACK	-	SILVER
EXN-23360-SVP	-	CLEAR	SILVER

MATERIAL: ALUMINUM EXTRUSION BODY PROVIDED WITH ALUMINUM COVER (2X) AND GASKETS OR POLYCARBONATE COVER (2X) AND GASKETS - NOT ASSEMBLED

DIMENSIONS ARE INCH[MM]

DRAWING FOR REFERENCE
WE RESERVE THE RIGHT TO MAKE CHANGES TO OUR STANDARD PRODUCTS. PLEASE CONSULT WITH BUD INDUSTRIES PRIOR TO USING THIS DRAWING FOR DESIGN PURPOSE.

SECTION B-B
EXTRUSION
ONLYPRE-THREADED FOR
M3.5 SCREW (4X)SLOTS FOR PCB
#EXN-23407-PCBDIE CAST
ALUMINUM
COVERPLASTIC
COVERSECTION A-A
SCALE 1 : 2DIMENSIONS MAY VARY DEPENDING ON
THE COMPRESSION OF THE GASKETSISOMETRIC VIEW
REFERENCE ONLY-
(AL. COVER SHOWN)
ACTUAL APPEARANCE
MAY VARY* ASSEMBLY
ORIENTATION *
ALIGN RECESS IN GASKET,
COVERS, & EXTRUSION
DURING ASSEMBLY

X-ON Electronics

Largest Supplier of Electrical and Electronic Components

Click to view similar products for PCBs & Breadboards category:

Click to view products by Bud Industries manufacturer:

Other Similar products are found below :

[8004](#) [8007](#) [8016](#) [8017](#) [8028](#) [8029](#) [1268-12](#) [1268-10](#) [1320833-1](#) [923252-R](#) [3410](#) [3396](#) [15107](#) [8006](#) [8015](#) [8018](#) [8019](#) [8020](#) [1268-19](#) [1268-20](#) [8026](#) [1239-19](#) [SBBTH1520-1](#) [SBBTH1506-1](#) [SBBTH4080-1](#) [SBBTH3030-1](#) [SBBTH1512-1](#) [SBBTH1508-1](#) [SBBSM2120-1](#) [SBB2808-1](#) [SBB2805-1](#) [SBB1605-1](#) [SBB1602-1](#) [SBB1005-1](#) [SBB1002-1](#) [3426](#) [32P15WE](#) [ZAS1X206203XRPU160](#) [SBBTH3040-1](#) [SBB0004-1](#) [SBB830-QTY10](#) [7115](#) [923749-I](#) [RE013-LF](#) [RE014-LF](#) [RE015-LF](#) [RE1210-LF](#) [RE200-C3](#) [RE210-S1](#) [RE317-HP](#)