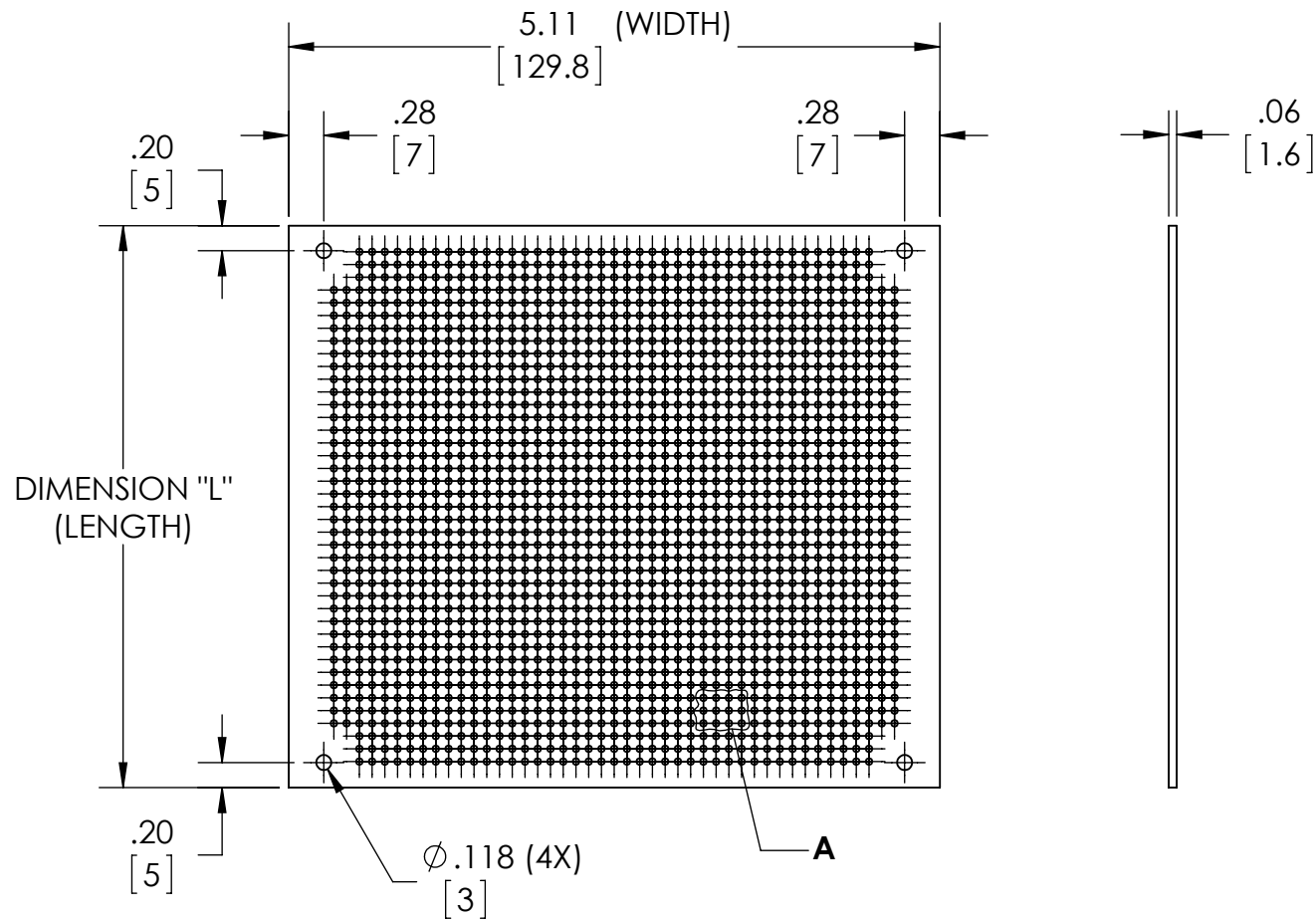


PART
NAME

PRINTED CIRCUIT BOARD

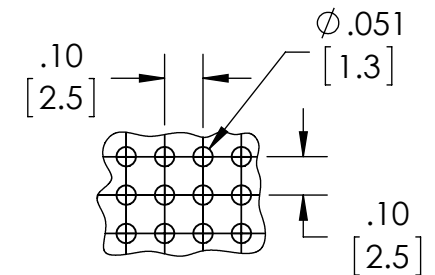
PART
No.EXN-23406-PCB
EXN-23408-PCBEXN-23407-PCB
EXN-23409-PCBREV.
DATE

10-13-15

DRAWING FOR REFERENCEWE RESERVE THE RIGHT TO MAKE CHANGES TO OUR
STANDARD PRODUCTS. PLEASE CONSULT WITH BUD INDUSTRIES
PRIOR TO USING THIS DRAWING FOR DESIGN PURPOSE.

MATERIAL: GREEN SILICON

DIMENSIONS IN INCH[MM]

**DETAIL A**
SCALE 2 : 1

CIRCUIT BOARD PART NUMBER	DIMENSION "L" CIRCUIT BOARD LENGTH	FITS EXN-SERIES ENCLOSURES WITH ALUMINUM END PANELS:	FITS EXN-SERIES ENCLOSURES WITH PLASTIC END PANELS:
EXN-23406-PCB	2.84 [72]	EXN-23359-GD, -SV, -RD, -BL, -BK	EXN-23359-GDP, -SVP, -RDP, -BLP, -BKP
EXN-23407-PCB	4.41 [112]	EXN-23360-GD, -SV, -RD, -BL, -BK	EXN-23360-GDP, -SVP, -RDP, -BLP, -BKP
EXN-23408-PCB	5.98 [152]	EXN-23361-GD, -SV, -RD, -BL, -BK	EXN-23361-GDP, -SVP, -RDP, -BLP, -BKP
EXN-23409-PCB	7.56 [192]	EXN-23362-GD, -SV, -RD, -BL, -BK	EXN-23362-GDP, -SVP, -RDP, -BLP, -BKP

X-ON Electronics

Largest Supplier of Electrical and Electronic Components

Click to view similar products for [PCBs & Breadboards](#) category:

Click to view products by [Bud Industries](#) manufacturer:

Other Similar products are found below :

[8004](#) [8007](#) [8016](#) [8017](#) [8028](#) [8029](#) [1268-12](#) [1268-10](#) [1320833-1](#) [923252-R](#) [3410](#) [3396](#) [15107](#) [8006](#) [8015](#) [8018](#) [8019](#) [8020](#) [1268-19](#) [1268-20](#) [8026](#) [1239-19](#) [SBBTH1520-1](#) [SBBTH1506-1](#) [SBBTH4080-1](#) [SBBTH3030-1](#) [SBBTH1512-1](#) [SBBTH1508-1](#) [SBBSM2120-1](#) [SBB2808-1](#) [SBB2805-1](#) [SBB1605-1](#) [SBB1602-1](#) [SBB1005-1](#) [SBB1002-1](#) [3426](#) [32P15WE](#) [ZAS1X206203XRPU160](#) [SBBTH3040-1](#) [SBB0004-1](#) [SBB830-QTY10](#) [7115](#) [923749-I](#) [RE013-LF](#) [RE014-LF](#) [RE015-LF](#) [RE1210-LF](#) [RE200-C3](#) [RE210-S1](#) [RE317-HP](#)