

PART NAME

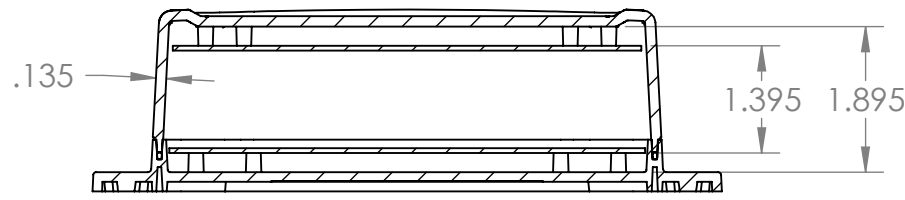
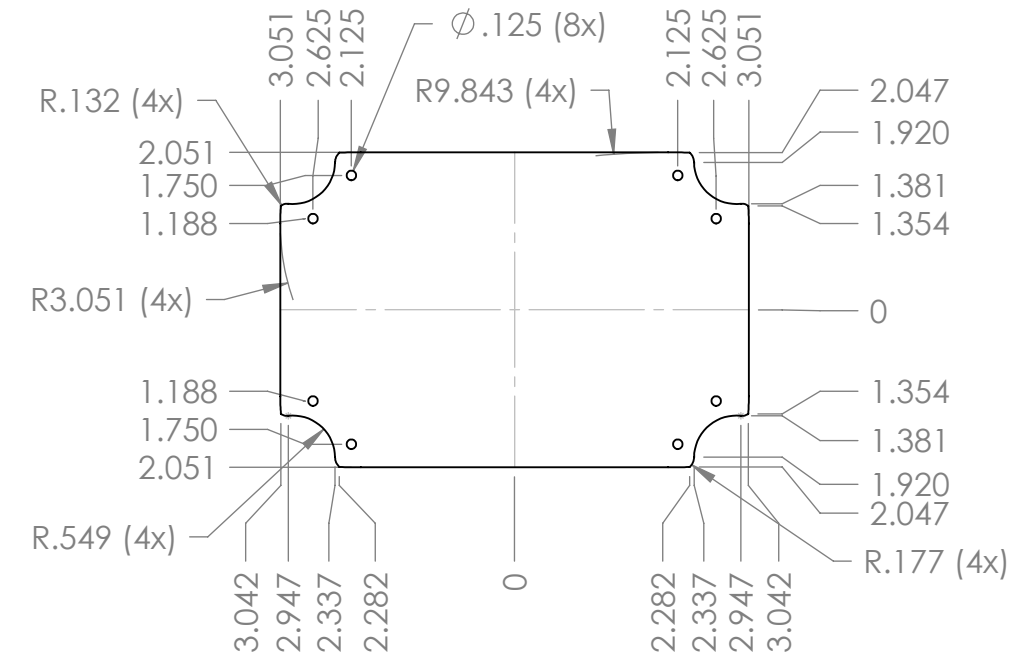
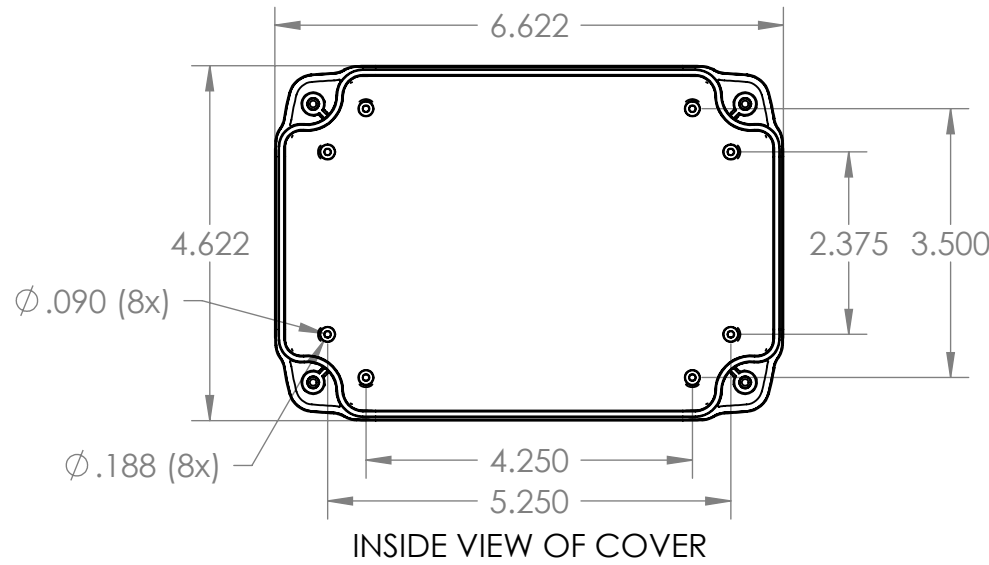
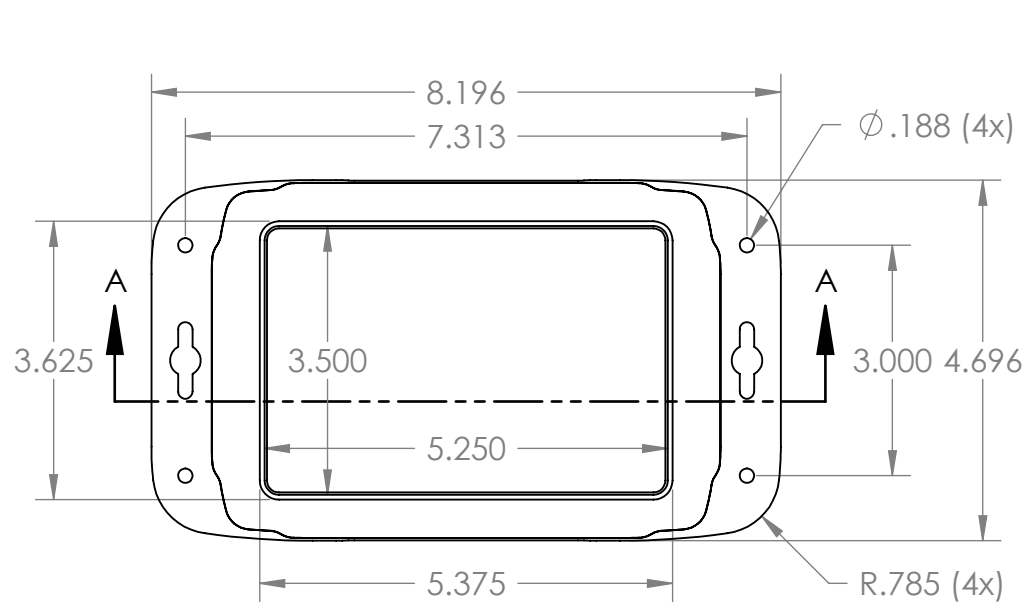
NEMA HEAVY DUTY PLASTIC BOX

PART No.

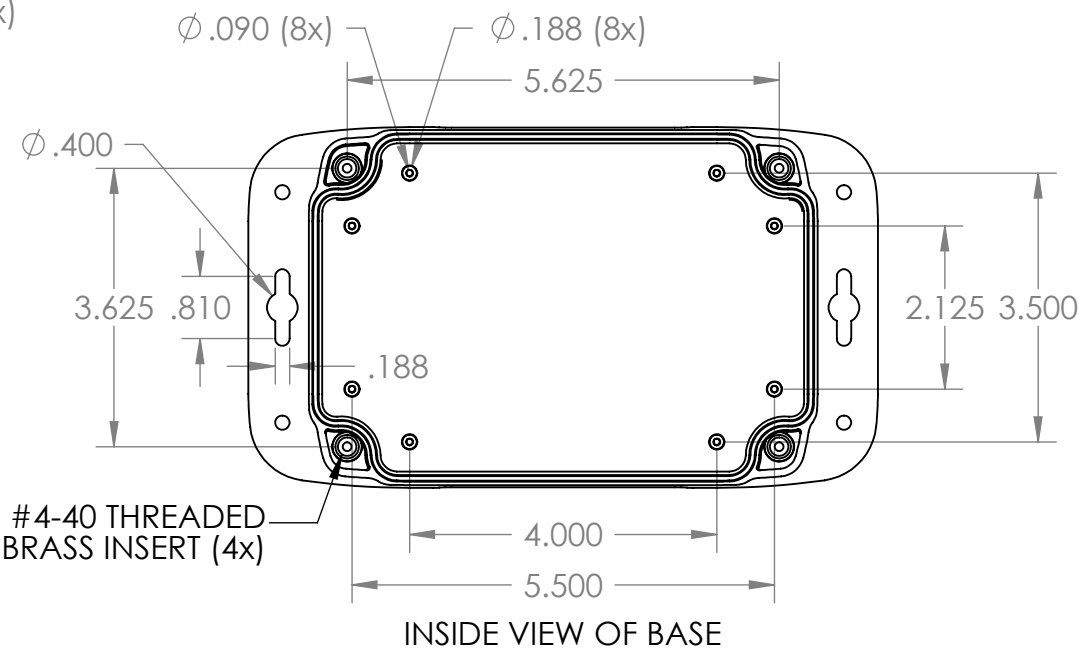
HD-7600

REVISION DATE

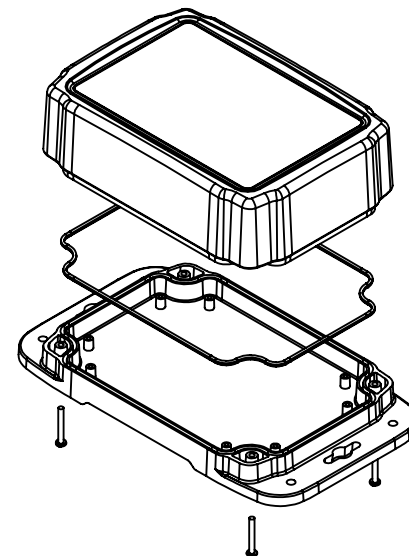
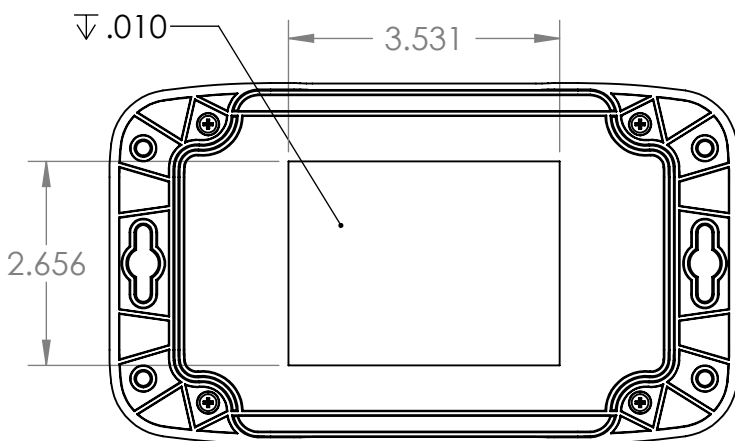
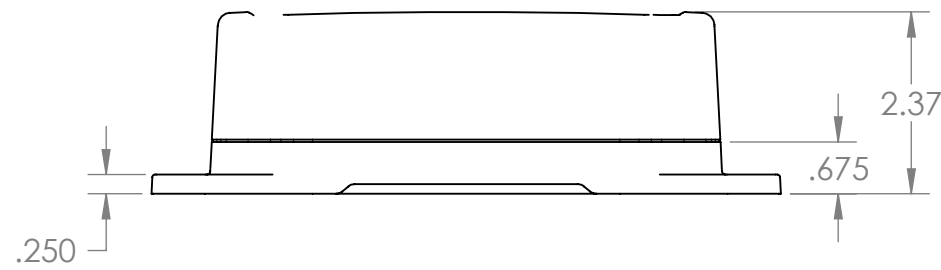
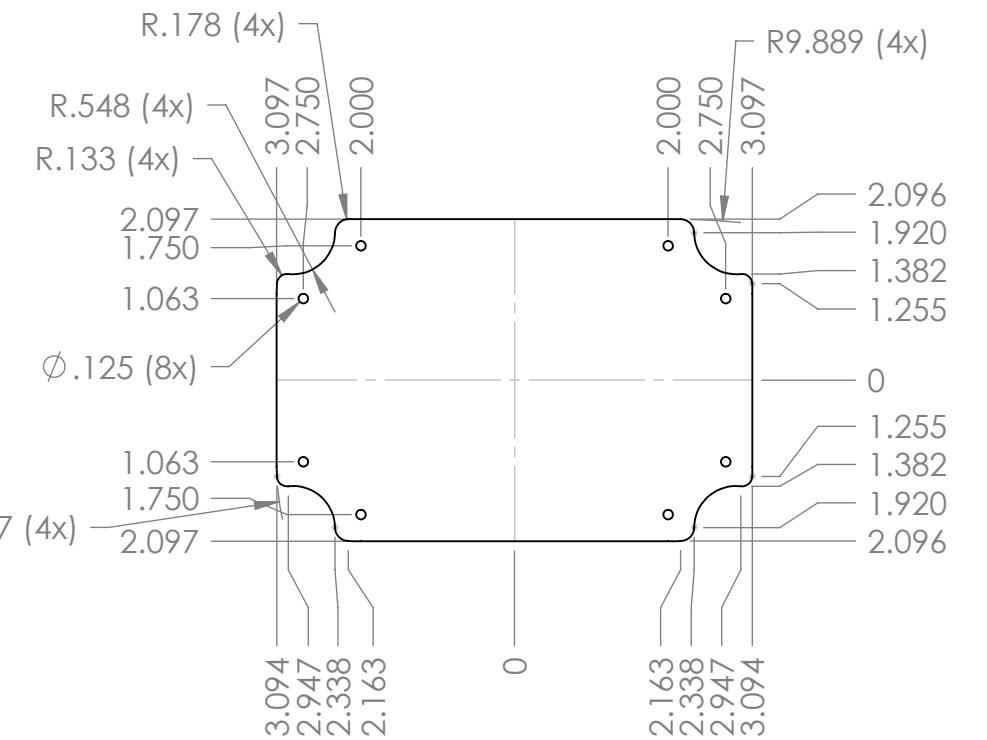
10-4-10



SECTION A-A



INSIDE VIEW OF BASE



ALL DIMENSIONS HAVE ±.015 TOLERANCE

MATERIAL: BASE & COVER - POLYCARBONATE
 UL94-V0 AND UV STABILIZED
 FINISH: TEXTURED BLACK
 GASKET SILICONE RUBBER

ENCLOSURE DESIGNED TO IP 66 OF IEC 529
 AND NEMA 4, 4X, 12, 13
 FOUR (4) #4-40 x 7/8 LG. PAN HEAD STAINLESS
 STEEL SCREWS SUPPLIED FOR ASSEMBLY OF COVER
 RECOMMENDED TORQUE SETTING FOR ASSEMBLY
 SCREWS : 6.25 IN-LBS.
 PCB BOSSES WILL ACCEPT A #4 x 1/4 LG. THREAD
 FORMING SCREW (NOT SUPPLIED)

REFERENCE MAXIMUM P.C.B. SIZE.
 SIZES INCLUDE .03 CLEARANCE FROM INNER WALLS
 AND SCREW TOWERS WHEN UTILIZING THE MOUNTING
 BOSSES IN THE COVER. (CUSTOMER TO PROVIDE)

REFERENCE MAXIMUM P.C.B. SIZE.
 SIZES INCLUDE .03 CLEARANCE FROM INNER WALLS
 AND SCREW TOWERS WHEN UTILIZING THE MOUNTING
 BOSSES IN THE BASE. (CUSTOMER TO PROVIDE)

X-ON Electronics

Largest Supplier of Electrical and Electronic Components

Click to view similar products for [Electrical Enclosures](#) category:

Click to view products by [Bud Industries](#) manufacturer:

Other Similar products are found below :

[120-902](#) [120-905](#) [120-403](#) [120-475](#) [120-901](#) [127-410](#) [130-504](#) [130-506](#) [MR-25L+](#) [30-8739](#) [PIP-11774SCREW](#) [30-9715](#) [MR-25LW+](#) [110-407](#) [111-004](#) [111-008](#) [110-402](#) [110-901](#) [110-907](#) [111-002](#) [110-406](#) [110-910](#) [110-404](#) [110-409](#) [110-410](#) [120-405](#) [106-009](#) [106-505](#) [105-401](#) [106-006](#) [104-406](#) [137-002](#) [105-405](#) [111-005](#) [127-909](#) [106-502](#) [130-475](#) [130-503](#) [127-401](#) [106-010](#) [127-455](#) [127-475](#) [110-903](#) [R260-180-300](#) [9511020](#) [9822029](#) [9820014](#) [P61603000P](#) [9823009](#) [R103-164-000](#)