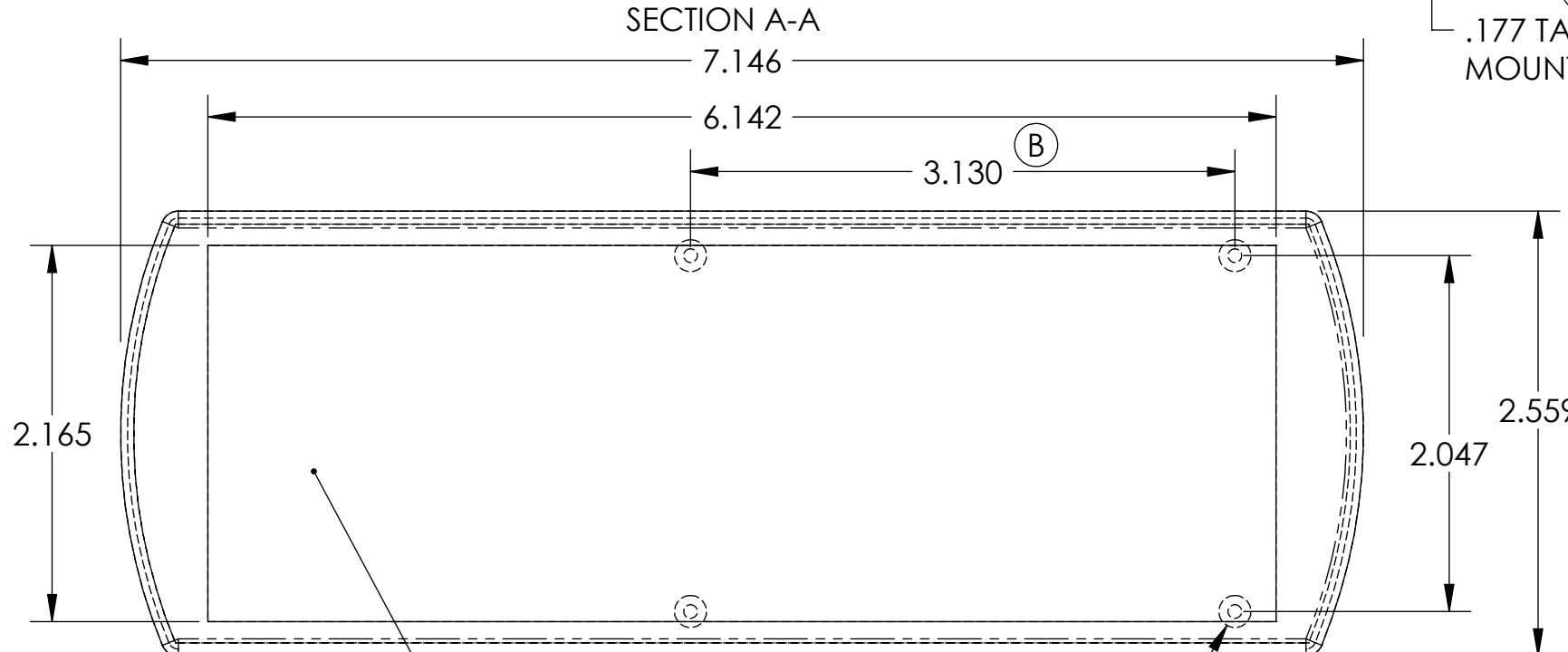
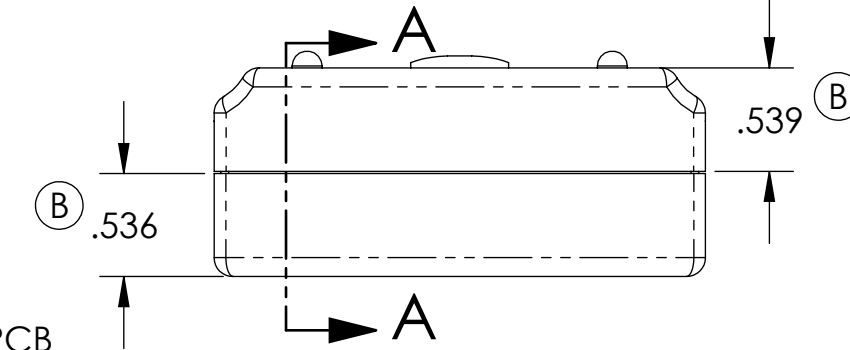
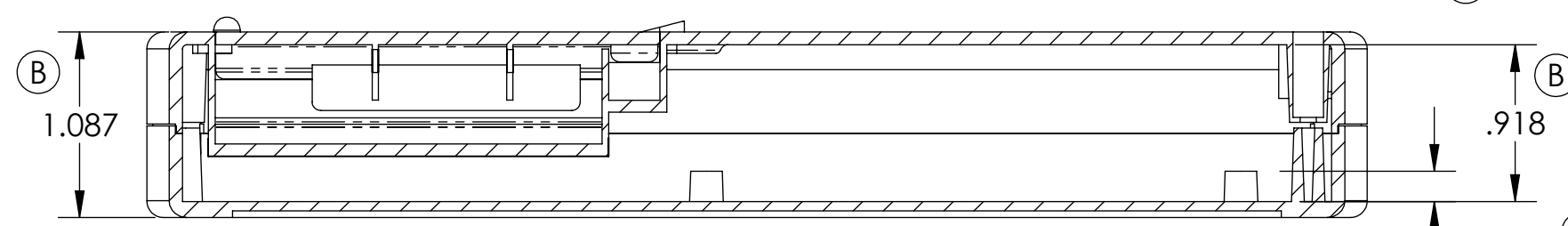
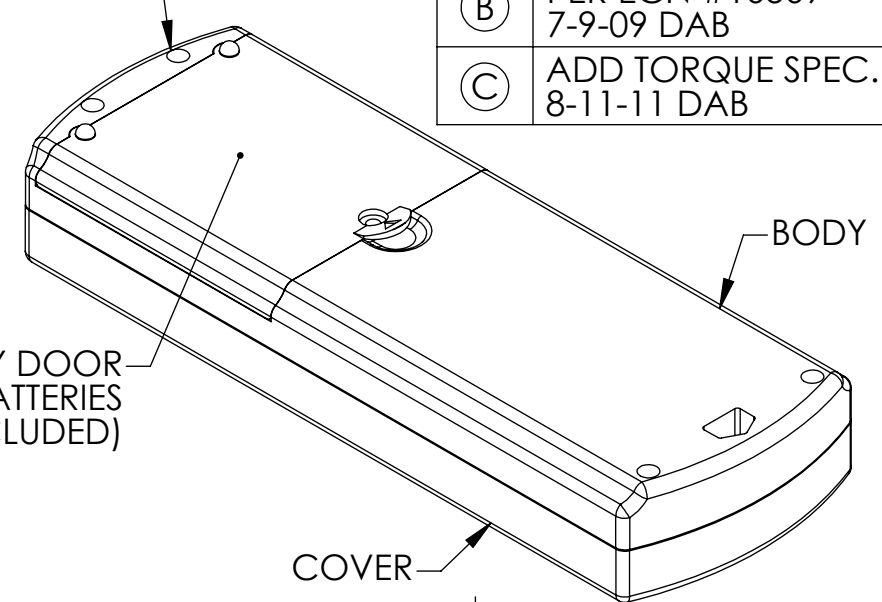
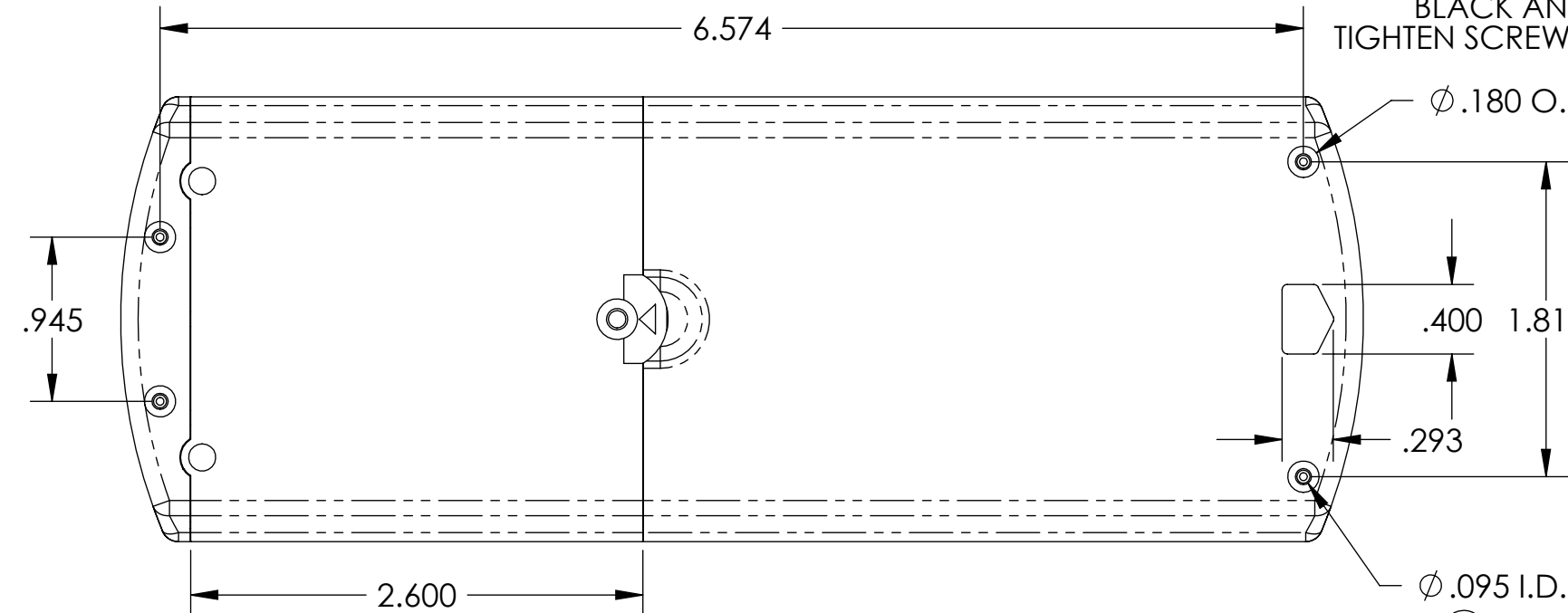


THE INFORMATION CONTAINED IN THIS DRAWING IS THE SOLE PROPERTY OF BUD INDUSTRIES INC. ANY REPRODUCTION IN PART OR WHOLE WITHOUT THE WRITTEN PERMISSION OF BUD INDUSTRIES INC. IS PROHIBITED.

DWG. NO.	HH-3570	
ISSUE	REVISIONS	
(A)	CHG'D MAT'L CALL-OUT 10-29-08 DAB	
(B)	PER ECN #10509 7-9-09 DAB	
(C)	ADD TORQUE SPEC. 8-11-11 DAB	

SCREW, M2.3 x 10mm THREAD FORMING, ROUND HEAD, PHILLIPS RECESS, STEEL, BLACK ANODIZED (4 PL'S, NOT SHOWN) TIGHTEN SCREWS TO 1 IN./LBS. TORQUE MAX.



MATERIAL: ABS - UL94-HB (A)
 FINISH: LIGHT TEXTURE
 COLOR: BLACK (HH-3570-B) OR LIGHT GRAY (HH-3570-G)
 PACKAGING: SHRINK WRAP WITH A SELF-ADHESIVE LABEL AFFIXED ON THE OUTSIDE.
 MAXIMUM PC BOARD SIZE: 3.50 x 2.312 (WITH MAX. 0.62 COMPONENT HEIGHT)

(B) .039 DEEP SMOOTH RECESS
 (B) .197 DIA BOSS WITH .079 DIA HOLE (4)

TOLERANCES: +/- .005 BETWEEN HOLE CENTERS +/- .015 FROM SHEARED EDGE +/- .032 FROM A BENT SURFACE +/- .062 BETWEEN ASSEMBLED SURFACES		CAD GENERATED DRAWING, DO NOT MANUALLY UPDATE	
UNLESS OTHERWISE SPECIFIED MATERIAL		APPROVALS	DATE
AS NOTED		DP	6/10/05
FINISH		CHECKED	
AS NOTED		APPROVED	
DO NOT SCALE DRAWING			

BUD INDUSTRIES INC.	
GRABBER STYLE J	

QTY.	USED ON	DO NOT SCALE DRAWING	SCALE	DWG. NO. HH-3570	REV.

SIZE B	DWG. NO. HH-3570	REV.
SCALE	CAD FILE:	SHEET 1 OF 1

X-ON Electronics

Largest Supplier of Electrical and Electronic Components

Click to view similar products for [Battery Enclosures](#) category:

Click to view products by [Bud Industries](#) manufacturer:

Other Similar products are found below :

[67257-01](#) [2508010](#) [19400201](#) [CLP.3](#) [HH-3440-TS](#) [MB 12225](#) [MF-001DG](#) [FP 10674](#) [FP 22046](#) [18200201](#) [TF 28037](#) [UH-3](#) [MRS 28541](#)
[BHM-4A3](#) [BHF-4A3](#) [BHF-3A3](#) [FI-17 GY](#) [72002001](#) [72002101](#) [72002201](#) [72002301](#) [8120843](#) [8120845](#) [P33070300](#) [35111005](#) [35111016](#)
[AH NEW ALU HINGE](#) [FI-17/BK](#) [MRS 28540](#) [19400101](#) [1518020](#) [8120841](#) [DS 10581](#) [CLY.9](#) [MB 10674](#) [8120840](#) [8120842](#) [8120844](#)
[8120846](#) [FP 12017](#) [22010000](#) [CL1 N](#) [ALMF-002PBK](#) [ATBATTERY-CASE-2AAA](#) [HH-3442-C](#) [HH-3450-C](#) [HH-3451-TL](#) [BX0123](#) [MB](#)
[20064 SET](#) [G900G-CLIP](#)