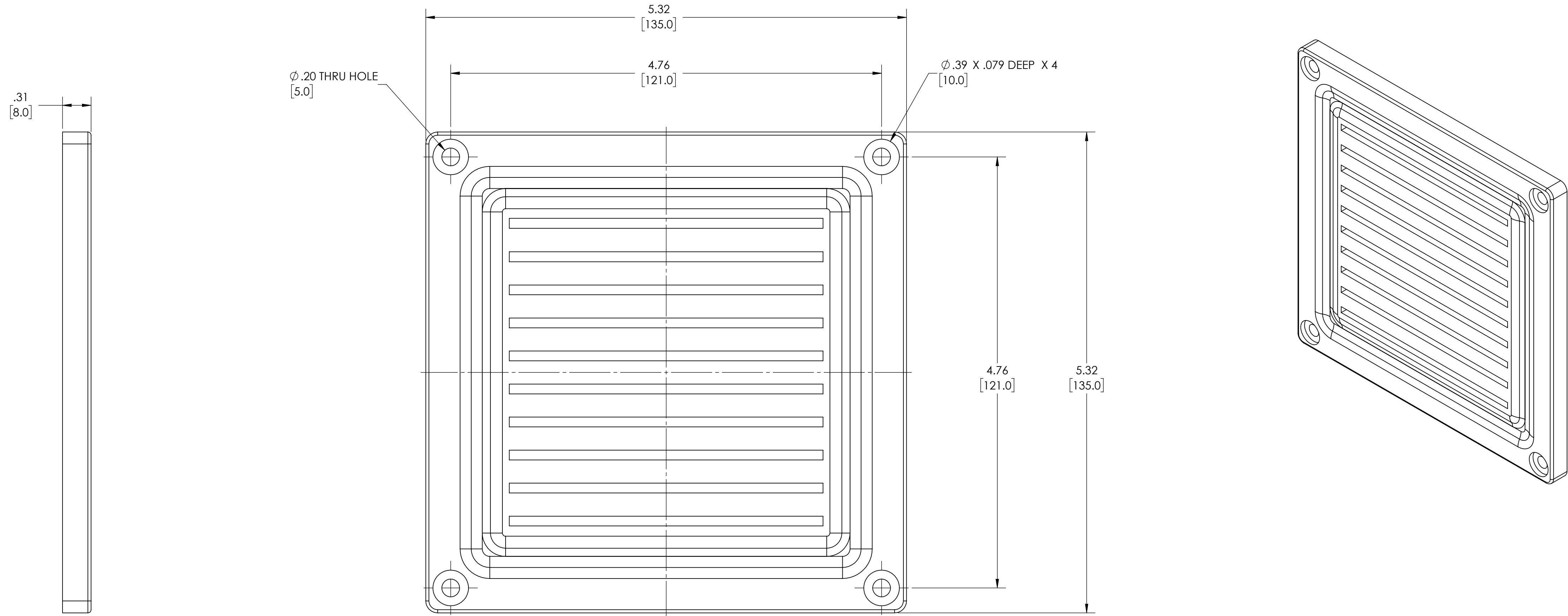


NOTES:

1. MATERIAL: PLASTIC, E-PTFE,SILICON
COLOR: -B(BLACK) -W(WHITE)
2. ALL DIMENSIONS HAVE ±.03[.76] TOLERANCE UNLESS OTHERWISE SPECIFIED
3. DIMENSIONS ARE INCH [MM]

4. TECHNICAL DATA:

ART NO.: CF100(1 packing unit = 1 pieces,with 4 tapping screw)
 MOUNTING: SCREW MOUNTING
 MAXIMUM SIZE AND AREA: RECTANGULAR,100mm²
 DIMENSIONS: 135×135×8mm
 WEIGHT: APPROXIMATELY 98g
 FITTING POSITION: VARIABLE
 OPERATING TEMPERATURE: -40 to +100α
 IP RATING: IP 65
 AIR PERM: 3m³/m².min
 COLLECTION EFFICIENCY: 95%-99.9995%
 INITIAL RESISTANCE: <86Pa



DRAWING FOR REFERENCE
 WE RESERVE THE RIGHT TO MAKE CHANGES TO OUR
 STANDARD PRODUCTS. PLEASE CONSULT WITH BUD INDUSTRIES
 PRIOR TO USING THIS DRAWING FOR DESIGN PURPOSE.

X-ON Electronics

Largest Supplier of Electrical and Electronic Components

Click to view similar products for [Electrical Enclosure Accessories](#) *category:*

Click to view products by [Bud Industries](#) *manufacturer:*

Other Similar products are found below :

[60121-06-028 C-325 Black](#) [71884-04-028 CM3-100 Black](#) [71884-18-028 LH43-200 Black](#) [71884-24-028 LH75-200 Black](#) [71885-01-028 CM6-150 Black](#) [72459-02-028 DM-3 BLACK](#) [72459-03-028 DM-4 BLACK](#) [81501-01-000 XPL, 9VB Black](#) [82402-01 PT-8 ALUM](#) [1307GSKTSC](#) [1335GSKT3](#) [14101FP-PK](#) [BAS-5104](#) [CB-1263-BT](#) [HM BLACK PANEL](#) [61033-01-000](#) [115123-01-508 CN-RL RS](#) [115124-01-508 CN-XRL XRS](#) [115119-01-000 CN-RL RS](#) [115123-01-000 CN-RL RS](#) [60121-04-028 C-275 Black](#) [60128-01-072](#) [60222-01-028 CM6-225 Black](#) [60272-01-028 CM3-150 Black](#) [60851-01-028 CM69-120 Black](#) [62452-01-000 HML-9VB, EB Black](#) [71884-25-028 LH89-130 Black](#) [AXX2POSTBRCKT](#) [FUPMESK](#) [71884-23-028 LH75-130 Black](#) [1317GSKTSC](#) [8G813V40365](#) [8G813V40367](#) [8G813V40389](#) [8G820V40620](#) [DVC.2-40-33-30-M8-23-40](#) [96178](#) [096484E](#) [096H10630E](#) [GN 505-10-M8-MB](#) [GN](#) [963-45-45-45-SW](#) [GN 967-20-20-L-2-ZB](#) [1.325.1300.20](#) [52010360](#) [52023608](#) [53801090](#) [53801115](#) [AXX2POSTBRCKT 918808](#) [OBOX-385-NBR-M](#) [60242-02-028 CM5-200 Black](#) [DIN 7603-AL-14-18-A](#)