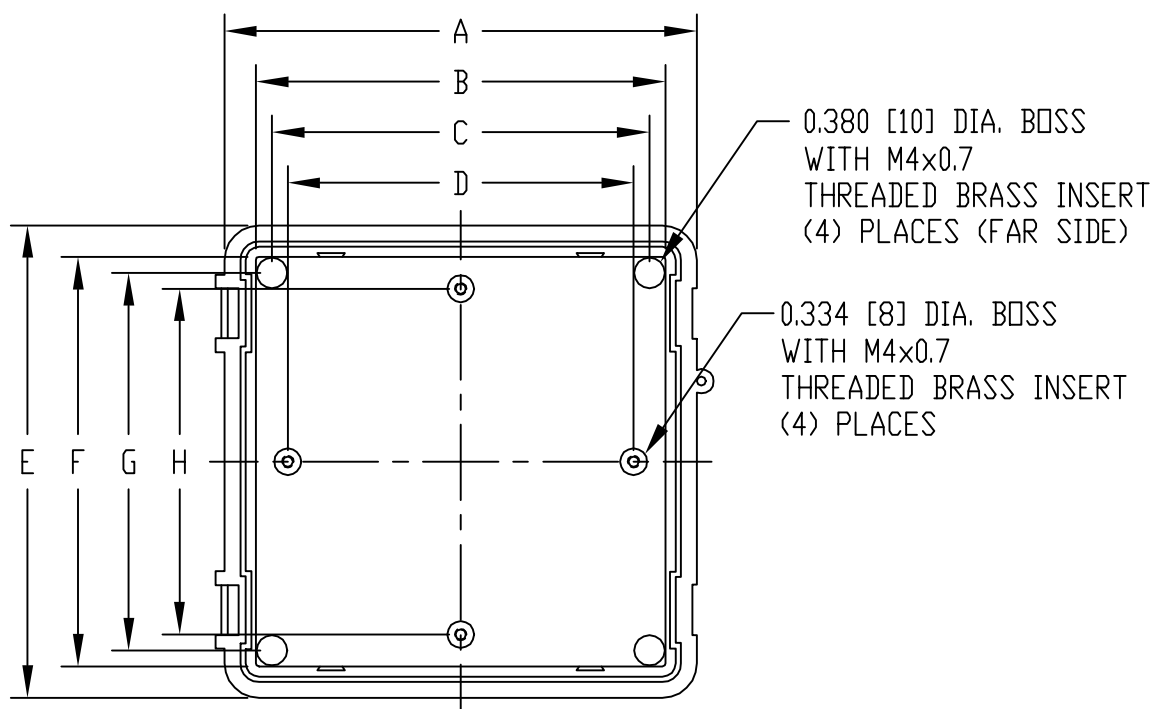


PART NAME	NON-METALLIC ENCLOSURE (STYLE B)	PART No.	NBB-10240 & NBB-10260 & NBB-15240	REV. DATE	7-23-14
-----------	----------------------------------	----------	-----------------------------------	-----------	---------

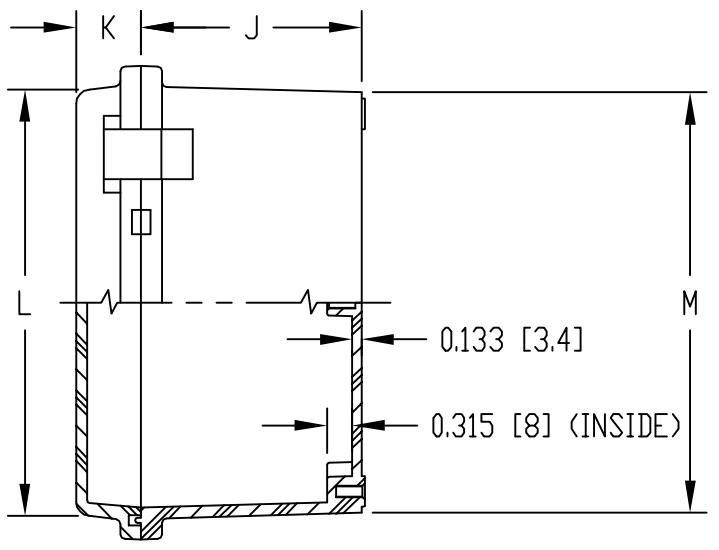
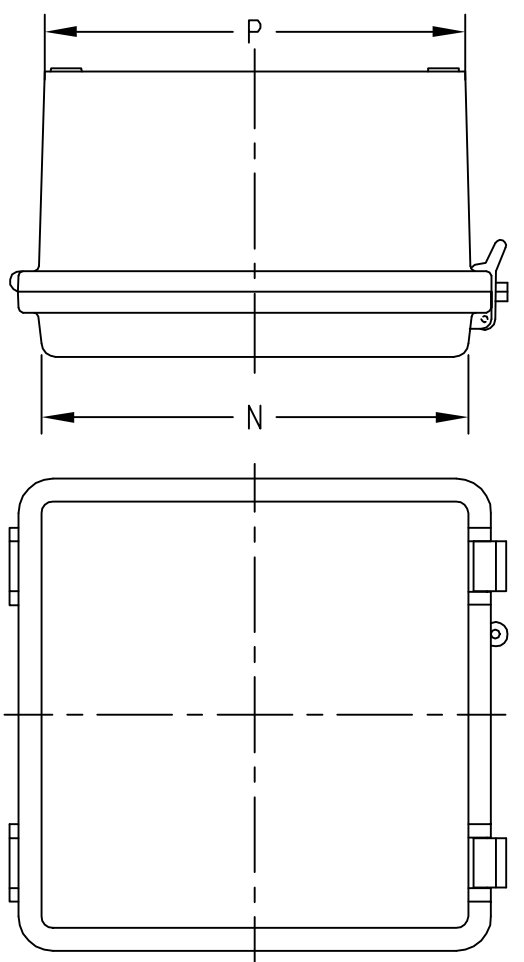
MATERIAL:
UL LISTED INDOOR VERSION
 SOLID BODY & COVER _____ ABS/PC BLENDED PLASTIC
 UL94-5VA FLAMMABILITY RATING
 CLEAR COVER _____ POLYCARBONATE PLASTIC
 UL94V-0 FLAMMABILITY RATING
 UV STABILIZED
UL LISTED OUTDOOR VERSION
 SOLID BODY & COVER _____ PBT/PC BLENDED PLASTIC
 UL94-5VA FLAMMABILITY RATING
 UV STABILIZED
ALL VERSIONS
 GASKET _____ MODIFIED POLYURETHANE

FINISH:
 BODY _____ LIGHT GRAY
 COVER _____ LIGHT GRAY OR CLEAR
 LATCHES & HINGES _____ NON-METALLIC
 WALL MOUNTING BRACKETS _____ STAINLESS STEEL

NOTE: UNIT COMES COMPLETE WITH (4) WALL MOUNTING BRACKETS & (4) M4x0.7 x 8mm LG. TRUSS HEAD MACHINE SCREWS (NOT SHOWN)
 COVER INCLUDES GRAY POLYURETHANE GASKET.
INDUSTRY STANDARDS:
 UL508-4X TYPE 1, 4 AND 4X
 NEMA TYPE 1, 4 AND 4X
 IEC529-IP66



VIEW LESS COVER



DIMENSIONS = INCHES [MILLIMETERS]

NOTE: ALL DIMENSIONS HAVE ±0.039 [±1] TOLERANCE UNLESS OTHERWISE SPECIFIED

AIR AND MOISTURE VENTS, GALVANIZED STEEL AND PLASTIC INTERNAL PANELS ARE NOT INCLUDED, BUT CAN BE PURCHASED SEPARATELY.

UL LISTED INDOOR VERSION		UL LISTED OUTDOOR VERSION	DIMENSIONS													
PART NO.		PART NO.														
SOLID COVER	CLEAR COVER	SOLID COVER	A	B	C	D	E	F	G	H	J	K	L	M	N	P
NBB-10240	NBB-10260	NBB-15240	5.904 [150]	5.040 [128]	4.606 [117]	4.322 [110]	5.904 [150]	5.040 [128]	4.606 [117]	4.322 [110]	2.753 [70]	0.815 [21]	5.330 [135]	5.255 [133]	5.330 [135]	5.255 [133]

X-ON Electronics

Largest Supplier of Electrical and Electronic Components

Click to view similar products for [Electrical Enclosures](#) category:

Click to view products by [Bud Industries](#) manufacturer:

Other Similar products are found below :

[120-401](#) [120-905](#) [120-909](#) [120-403](#) [130-004](#) [MR-25L+](#) [30-8739](#) [PIP-11774SCREW](#) [30-9715](#) [30-9777-BU](#) [105-905](#) [110-902](#) [110-901](#)
[A16N12BLP](#) [110-406](#) [110-401](#) [110-404](#) [120-405](#) [34861601](#) [106-009](#) [106-505](#) [105-405](#) [111-005](#) [127-909](#) [106-502](#) [130-503](#) [127-455](#)
[9511150](#) [9511017](#) [9820011](#) [NSYTDB5PL](#) [137-455](#) [130-001](#) [105-904](#) [120-404](#) [137-005](#) [130-505](#) [127-406](#) [AB 1,5.0](#) [AB2.0](#) [ABM.0](#)
[73345601](#) [F-MP](#) [H-MP](#) [M-MP](#) [PAT 12040](#) [2461000](#) [9121230](#) [79541301](#) [19001001](#)