

PART NAME	NON-METALLIC ENCLOSURE (STYLE B)	PART No.	NBB-10251 & NBB-10271 & NBB-22251	REV. DATE	6-17-15
-----------	----------------------------------	----------	-----------------------------------	-----------	---------

MATERIAL:
UL LISTED INDOOR VERSION
 SOLID BODY & COVER _____ ABS/PC BLENDED PLASTIC
 UL94-5VB FLAMMABILITY RATING
 CLEAR COVER _____ POLYCARBONATE PLASTIC
 UL94V-0 FLAMMABILITY RATING
 UV STABILIZED
ABS VERSION
 SOLID BODY & COVER _____ ABS
 UL94-HB FLAMMABILITY RATING
ALL VERSIONS
 GASKET _____ MODIFIED POLYURETHANE

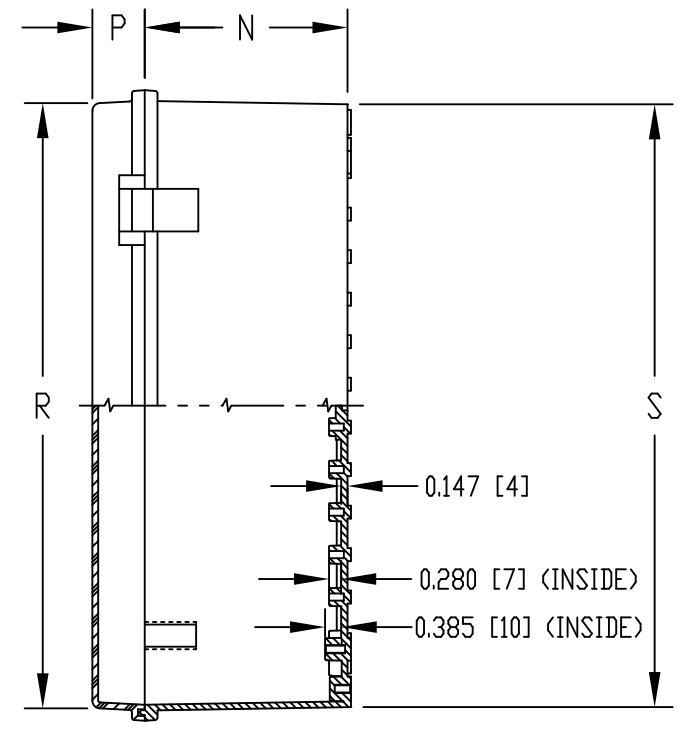
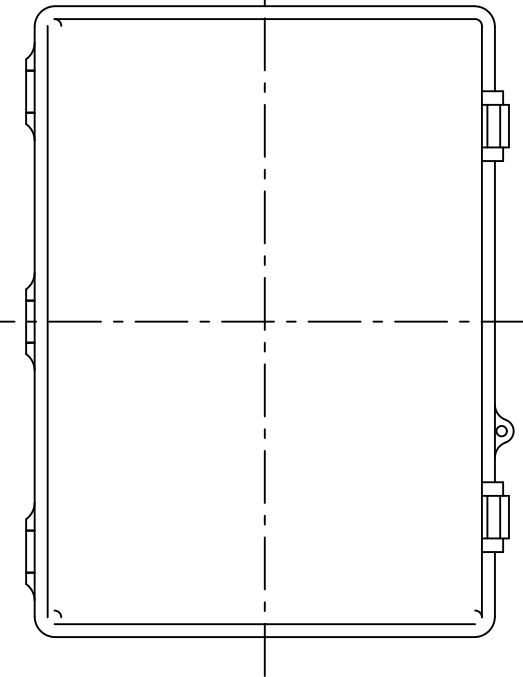
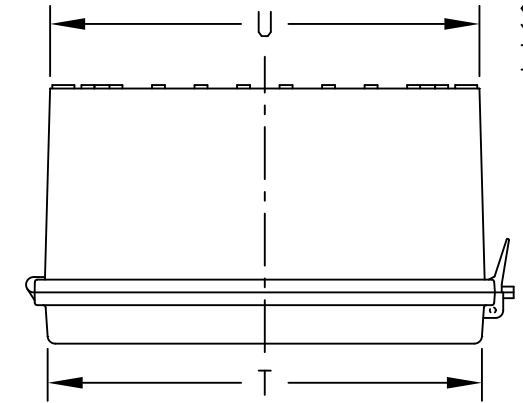
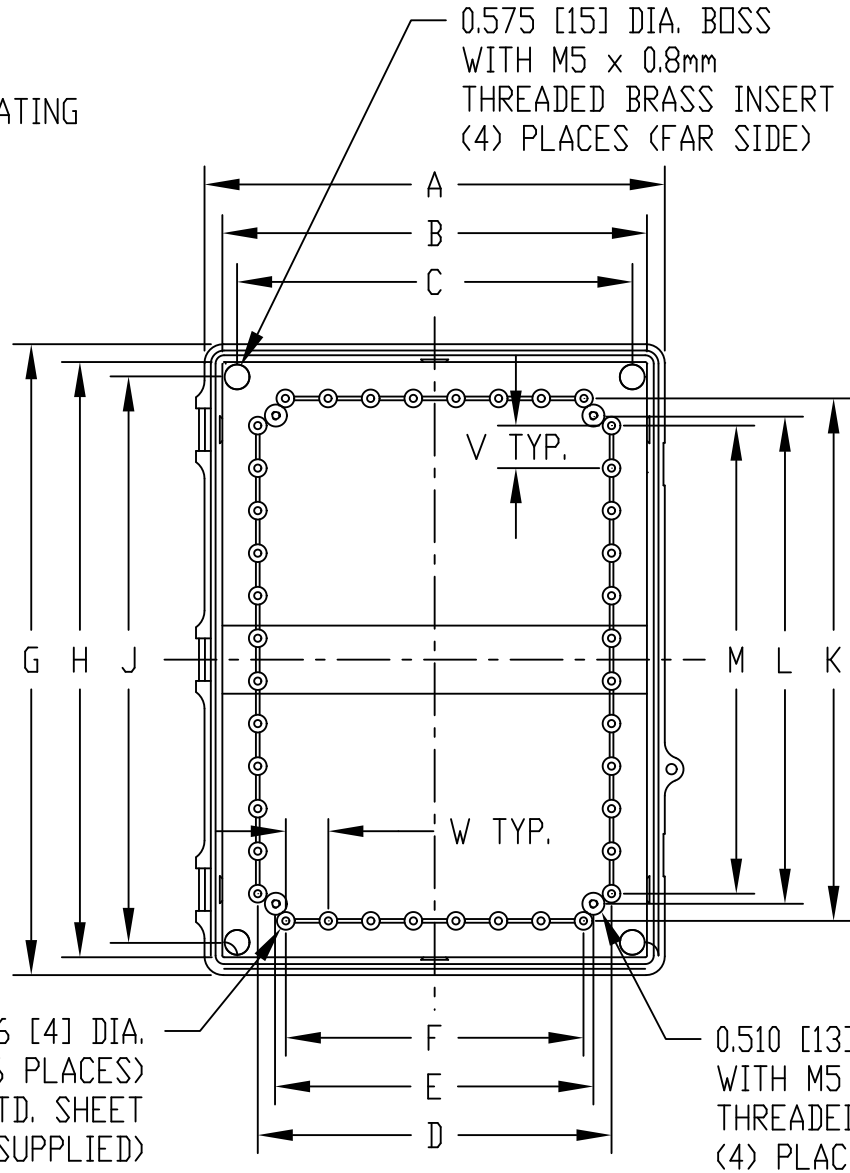
FINISH:
 BODY _____ LIGHT GRAY
 COVER _____ LIGHT GRAY OR CLEAR
 LATCHES & HINGES _____ NON-METALLIC
 WALL MOUNTING BRACKETS _____ STAINLESS STEEL

INTERNAL HINGED PANEL MOUNTING BRACKETS, STAINLESS STEEL LOCKING HASP, AIR AND MOISTURE VENTS AND GALVANIZED STEEL INTERNAL PANEL ARE NOT INCLUDED, BUT CAN BE PURCHASED SEPARATELY.

NOTE: UNIT COMES COMPLETE WITH (4) WALL MOUNTING BRKTS. & (4) M5 x 10mm LG. TRUSS HD. MACHINE SCREWS (NOT SHOWN)

COVER INCLUDES GRAY POLYURETHANE GASKET.

INDUSTRY STANDARDS:
UL LISTED INDOOR VERSION
 UL508 TYPE 1, 2, 3, 3R, 4, 4X INDOOR, 12 & 13
 NEMA TYPE 1, 2, 3, 3R, 4, 4X, 12 & 13
 IEC529-IP65
ABS VERSION
 NEMA TYPE 1, 2, 3, 3R, 4, 4X, 12 & 13
 IEC529-IP65



DIMENSIONS = INCHES [MILLIMETERS]

NOTE: ALL DIMENSIONS HAVE ±0.039 [±1] TOLERANCE UNLESS OTHERWISE SPECIFIED

VIEW LESS COVER

UL LISTED INDOOR VERSION			DIMENSIONS																			
PART NO.		ABS VERSION PART NO.	A	B	C	D	E	F	G	H	J	K	L	M	N	P	R	S	T	U	V	W
SOLID COVER	CLEAR COVER	SOLID COVER	10.640	9.815	9.136	8.178	7.332	6.881	14.585	13.760	13.072	12.078	11.287	10.821	4.713	1.210	13.995	13.860	10.040	9.925	0.983	0.983
NBB-10251	NBB-10271	NBB-22251	[270]	[249]	[232]	[208]	[187]	[175]	[370]	[349]	[332]	[307]	[287]	[275]	[120]	[31]	[355]	[352]	[255]	[252]	[25]	[25]

X-ON Electronics

Largest Supplier of Electrical and Electronic Components

Click to view similar products for [Electrical Enclosures](#) category:

Click to view products by [Bud Industries](#) manufacturer:

Other Similar products are found below :

[120-401](#) [120-905](#) [120-909](#) [120-403](#) [130-004](#) [MR-25L+](#) [30-8739](#) [PIP-11774SCREW](#) [30-9715](#) [30-9777-BU](#) [105-905](#) [110-902](#) [110-901](#)
[A16N12BLP](#) [110-406](#) [110-401](#) [110-404](#) [120-405](#) [34861601](#) [106-009](#) [106-505](#) [105-405](#) [111-005](#) [127-909](#) [106-502](#) [130-503](#) [127-455](#)
[9511150](#) [9511017](#) [9820011](#) [NSYTDB5PL](#) [137-455](#) [130-001](#) [105-904](#) [120-404](#) [137-005](#) [130-505](#) [127-406](#) [AB 1,5.0](#) [AB2.0](#) [ABM.0](#)
[73345601](#) [F-MP](#) [H-MP](#) [M-MP](#) [PAT 12040](#) [2461000](#) [9121230](#) [79541301](#) [19001001](#)