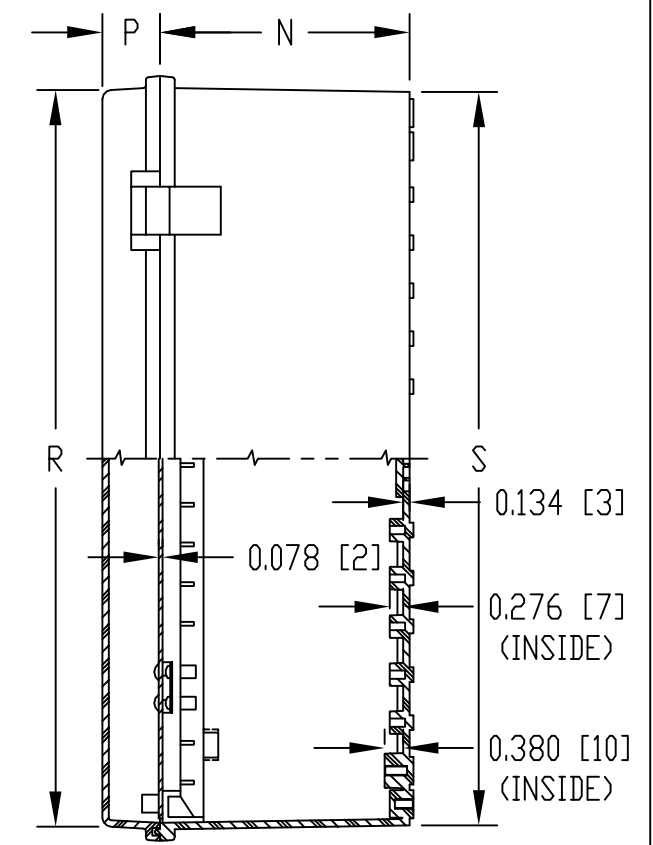
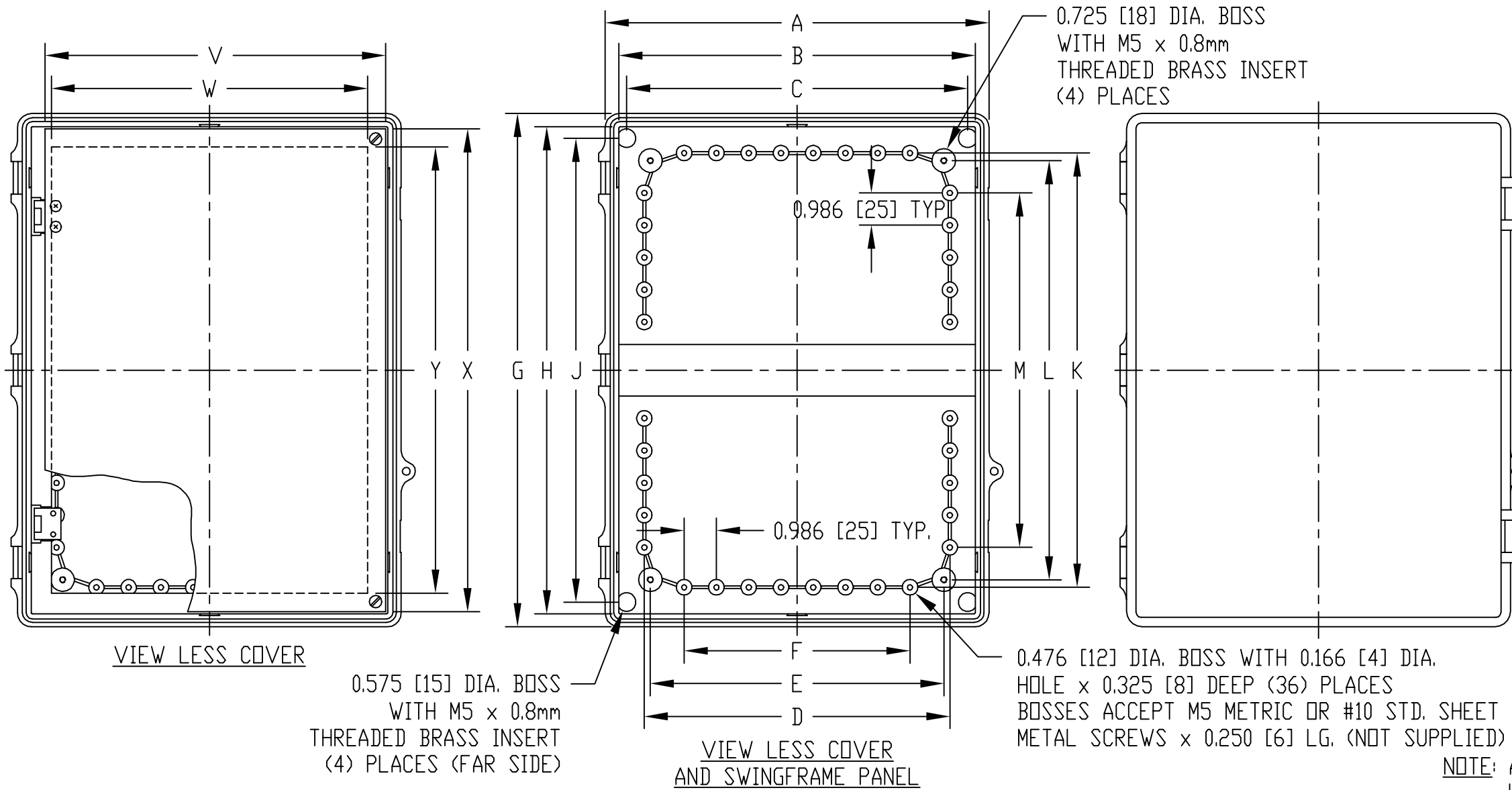
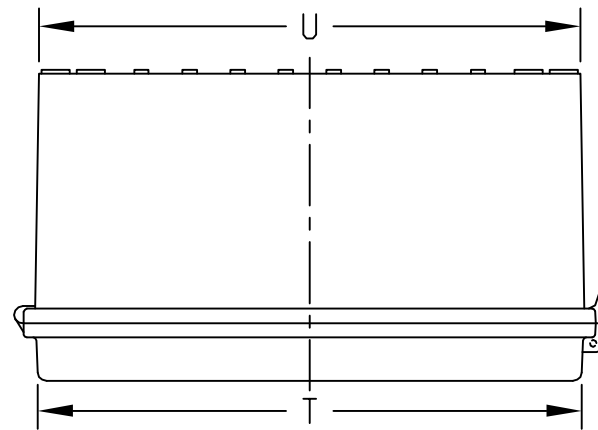


PART NAME	NON-METALLIC ENCLOSURE (STYLE E)											PART No.	NBE-10547 AND NBE-10567									
-----------	----------------------------------	--	--	--	--	--	--	--	--	--	--	----------	-------------------------	--	--	--	--	--	--	--	--	--

**MATERIAL:**  
 SOLID BODY & COVER \_\_\_\_\_ ABS/PC BLENDED PLASTIC  
 UL94-5VB FLAMMABILITY RATING  
 CLEAR COVER \_\_\_\_\_ POLYCARBONATE PLASTIC  
 UL94V-0 FLAMMABILITY RATING  
 UV STABILIZED  
 PANEL \_\_\_\_\_ 0.078 THICK ALUMINUM  
 LATCHES & HINGES \_\_\_\_\_ NON-METALLIC  
 WALL MOUNTING BRACKETS \_\_\_\_\_ STAINLESS STEEL

**FINISH:**  
 BODY \_\_\_\_\_ LIGHT GRAY  
 COVER \_\_\_\_\_ LIGHT GRAY OR CLEAR  
 PANEL \_\_\_\_\_ ANODIZED  
 COVER INCLUDES GRAY POLY-URETHANE GASKET.  
 UNIT COMES COMPLETE WITH (4) WALL MOUNTING BRKTS. & (4) M5 x 10mm LG. TRUSS HD. MACHINE SCREWS (NOT SHOWN)

**INDUSTRY STANDARDS:**  
 UL508 TYPE 1, 2, 4, 4X INDOOR, 12 & 13  
 NEMA TYPE 1, 2, 4, 4X, 12 & 13  
 IEC529-IP65  
 AIR AND MOISTURE VENTS, GALVANIZED STEEL INTERNAL PANEL AND STAINLESS STEEL LOCKING HASP ARE NOT INCLUDED, BUT CAN BE PURCHASED SEPARATELY.



NOTE: ALL DIMENSIONS HAVE ±0.039 [±1] TOLERANCE UNLESS OTHERWISE SPECIFIED

DIMENSIONS = INCHES [MILLIMETERS]

PART NO.		DIMENSIONS																					
SOLID COVER	CLEAR COVER	A	B	C	D	E	F	G	H	J	K	L	M	N	P	R	S	T	U	V	W	X	Y
NBE-10547	NBE-10567	11.727	10.894	10.424	9.335	8.969	6.902	15.680	14.877	14.167	13.265	12.801	10.828	5.110	1.185	15.105	15.035	11.147	11.090	10.400	9.659	14.740	13.635
		[298]	[277]	[265]	[237]	[228]	[175]	[398]	[378]	[360]	[337]	[325]	[275]	[130]	[30]	[384]	[382]	[283]	[282]	[264]	[245]	[374]	[346]

## X-ON Electronics

Largest Supplier of Electrical and Electronic Components

*Click to view similar products for [Electrical Enclosures](#) category:*

*Click to view products by [Bud Industries](#) manufacturer:*

Other Similar products are found below :

[120-401](#) [120-905](#) [120-909](#) [120-403](#) [130-004](#) [MR-25L+](#) [30-8739](#) [PIP-11774SCREW](#) [30-9715](#) [30-9777-BU](#) [105-905](#) [110-902](#) [110-901](#)  
[A16N12BLP](#) [110-406](#) [110-401](#) [110-403](#) [110-404](#) [120-405](#) [34861601](#) [106-009](#) [106-505](#) [105-405](#) [111-005](#) [127-909](#) [106-502](#) [130-503](#) [127-](#)  
[455](#) [9511150](#) [9511017](#) [9820011](#) [NSYTDB5PL](#) [137-455](#) [130-001](#) [105-904](#) [120-404](#) [137-005](#) [130-505](#) [127-406](#) [AB 1,5.0](#) [AB2.0](#) [ABM.0](#)  
[73345601](#) [F-MP](#) [H-MP](#) [M-MP](#) [PAT 12040](#) [2461000](#) [9121230](#) [79541301](#)