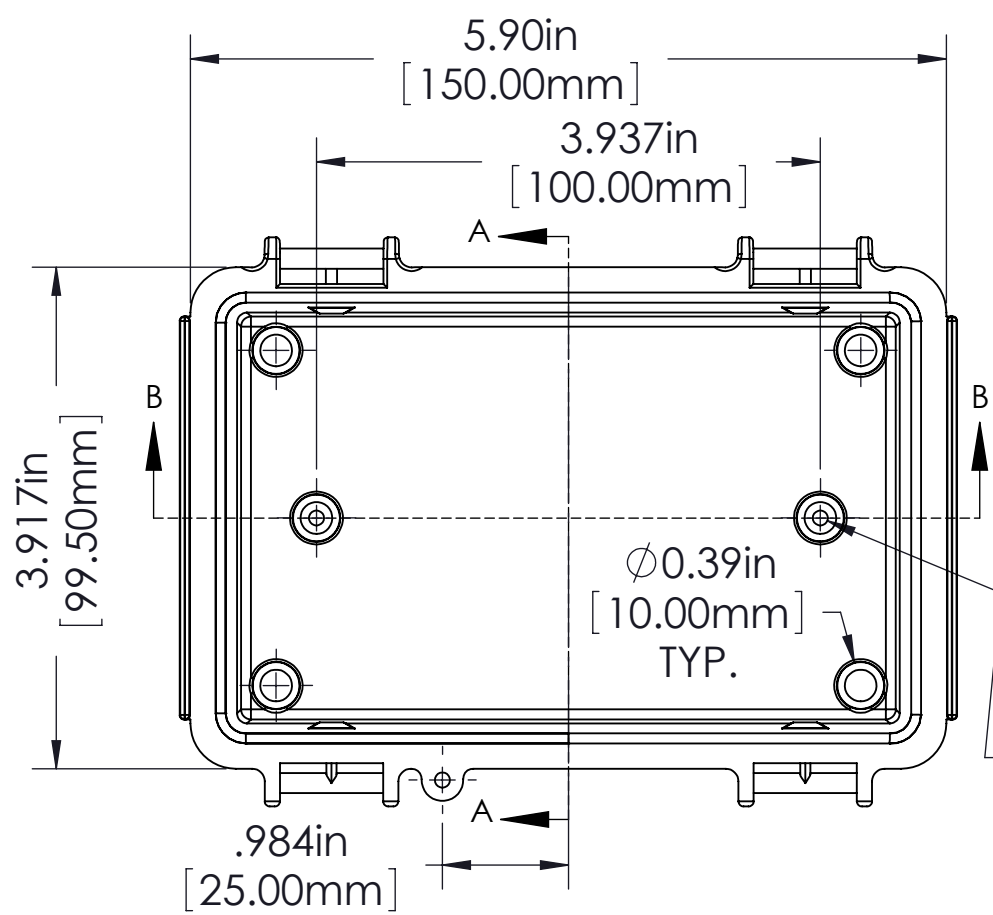


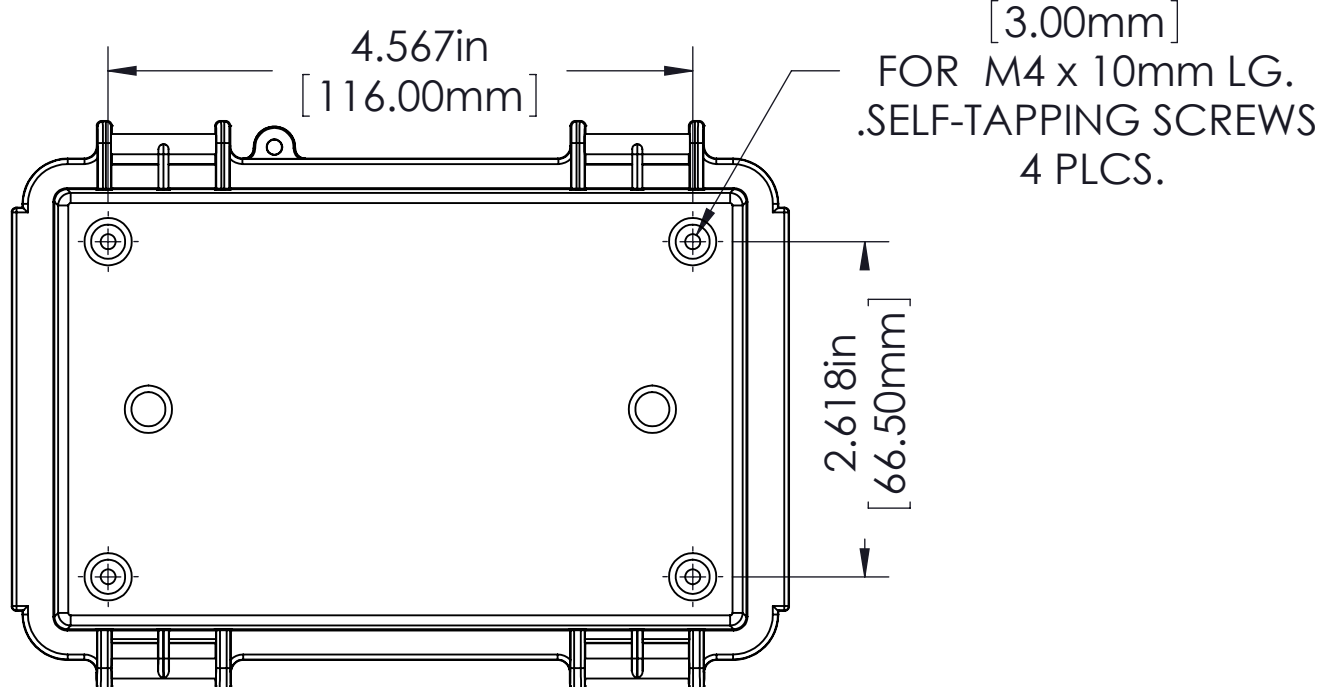
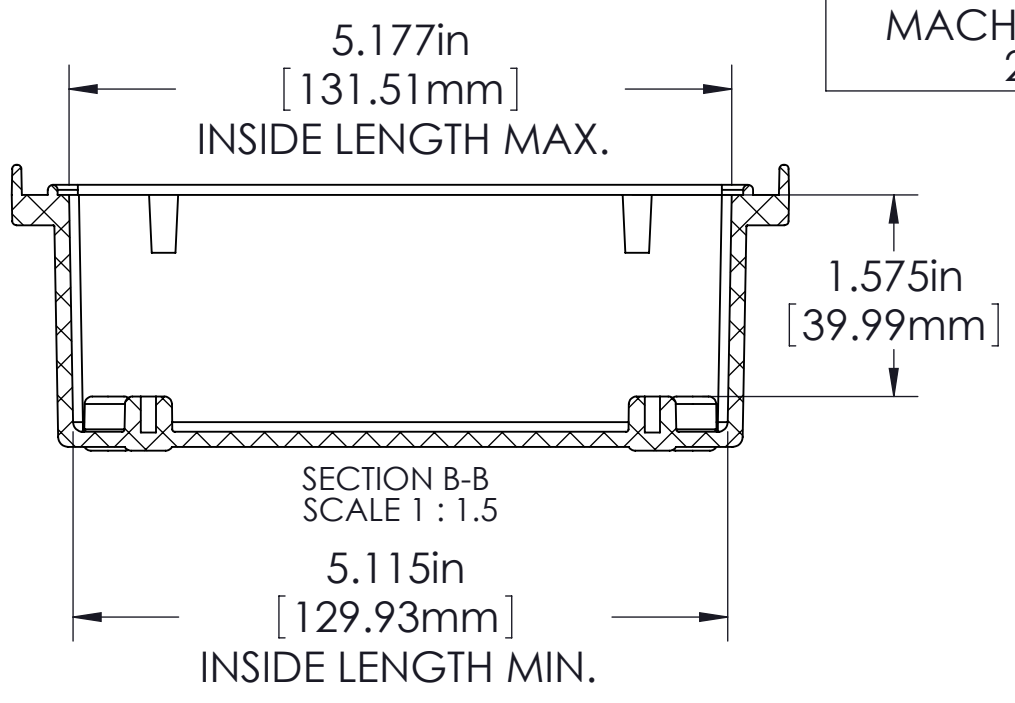
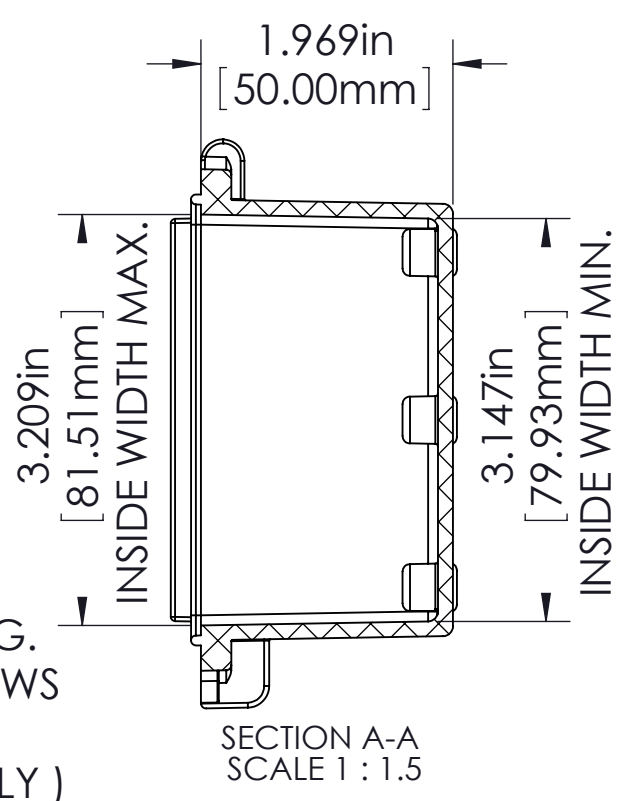
MATERIAL	FLAMMABILITY RATING	CONTINUOUS OPERATING TEMP.
ABS	UL94-HB	-40°C ~ +60°C / -40°F ~ 140°F
CLEAR PC	UL94-V0 UV STABILIZED	-40°C ~ +130°C / -40°F ~ 266°F
ABS / PC BLEND	UL94-5VA	-40°C ~ +85°C / -40°F ~ 185°F
PBT / PC BLEND	UL94-5VA + UV (f1)	-40°C ~ +75°C / -40°F ~ 167°F

FINISH:
 BODY _____ LIGHT GRAY
 COVER _____ LIGHT GRAY OR CLEAR
 LATCHES & HINGES _____ PLASTIC
 WALL MOUNTING BRACKETS__ STAINLESS STEEL & HARDWARE

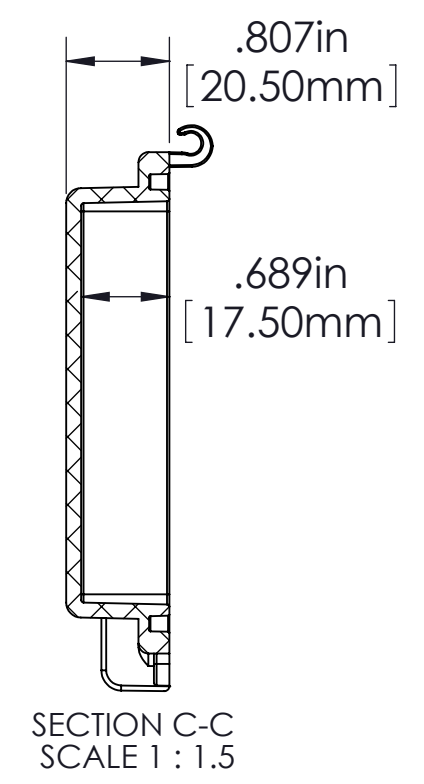
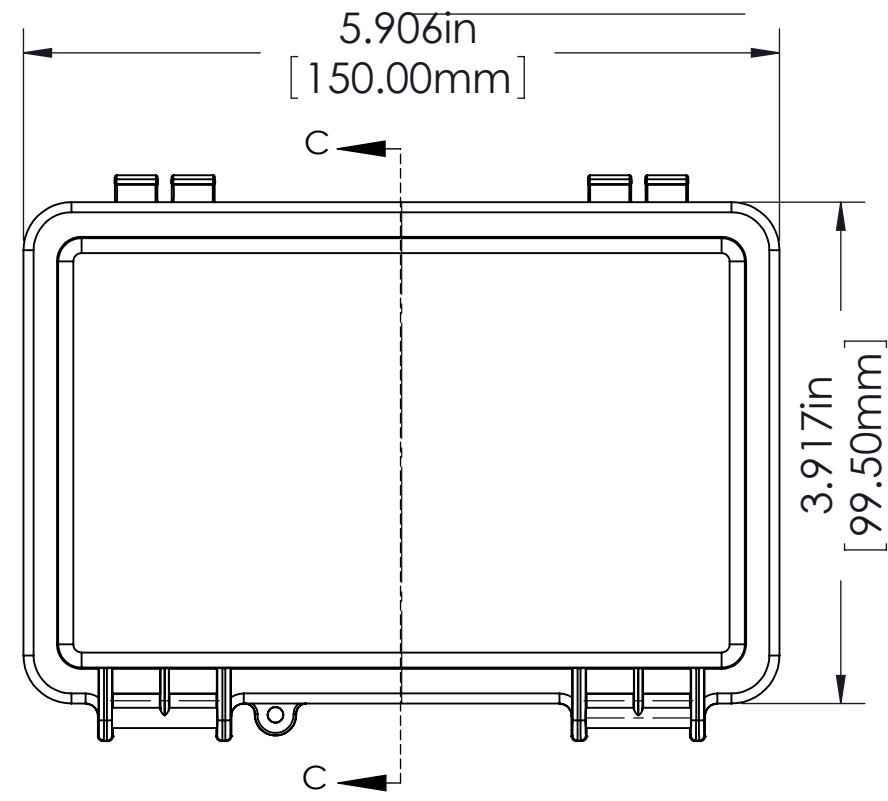
BODY



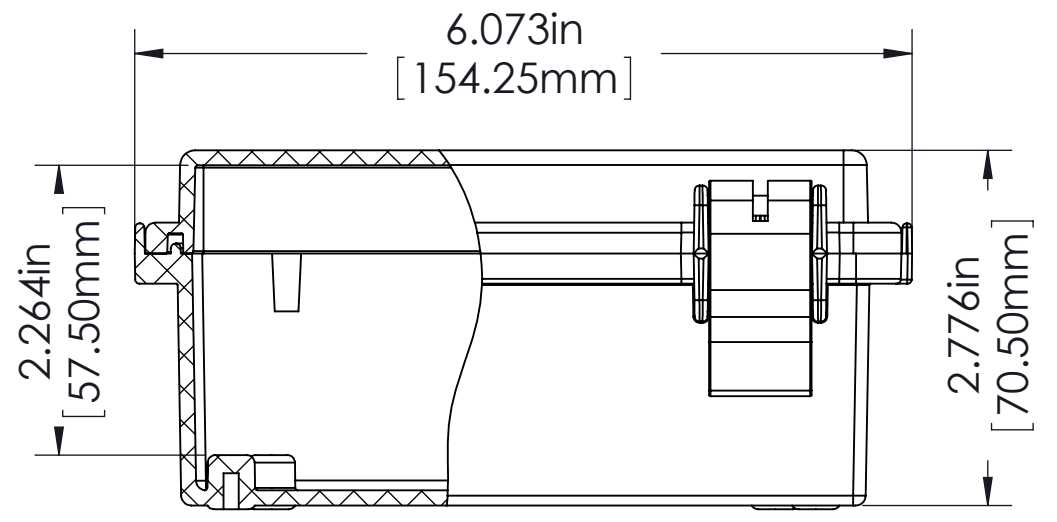
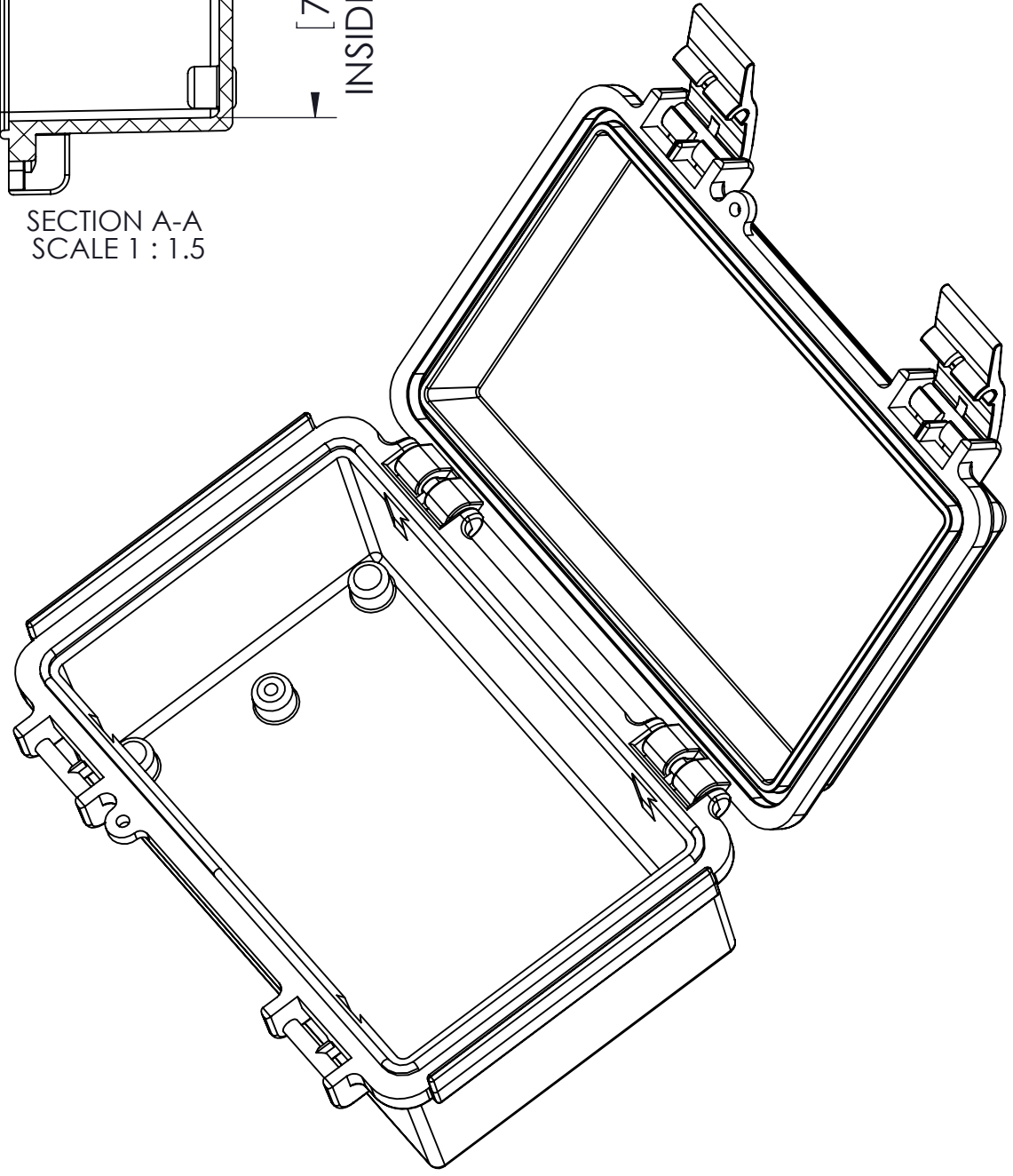
Ø.118in [3.00mm]
 FOR M4 x 10mm LG. SELF-TAPPING SCREWS 2 PLCS.
 (ABS VERSIONS ONLY)
 M4 THREADED INSERTS ON ALL OTHER VERSIONS USE M4 x 8mm LG. MACHINE SCREWS. 2 PLCS.



COVER



ASSEMBLY



NOTES:

- 1) UNIT COMES COMPLETE WITH (4) WALL MOUNTING BRACKETS & (4) M4 x 10mm LG. SELF-TAPPING SCREWS. (NOT SHOWN)
- 2) BOXES DESIGNED TO MEET FOLLOWING STANDARDS: NEMA 1,2,4,4X AND IEC529-IP65 REQUIREMENTS.

TOLERANCES:

ALL DIMENSIONS HAVE ±0.039in. [±1mm] TOLERANCE UNLESS OTHERWISE SPECIFIED.

PART NO.	MATERIAL		USE
	BODY	COVER	
NBF-32004	ABS	ABS	INDOOR
NBF-32104	ABS / PC	ABS / PC	INDOOR
NBF-32204	ABS / PC	CLEAR PC	INDOOR
NBF-32304	PBT / PC	PBT / PC	OUTDOOR
NBF-32404	PBT / PC	CLEAR PC	OUTDOOR

X-ON Electronics

Largest Supplier of Electrical and Electronic Components

Click to view similar products for [Electrical Enclosures](#) category:

Click to view products by [Bud Industries](#) manufacturer:

Other Similar products are found below :

[120-905](#) [120-909](#) [127-410](#) [130-004](#) [MR-25L+](#) [1584DMGPK](#) [30-8739](#) [PIP-11774SCREW](#) [30-9715](#) [30-9777-BU](#) [105-905](#) [110-902](#) [110-402](#)
[110-901](#) [111-002](#) [A242012LP](#) [A16N12BLP](#) [110-406](#) [110-401](#) [120-405](#) [106-009](#) [105-405](#) [111-005](#) [127-909](#) [106-502](#) [130-475](#) [130-503](#)
[127-455](#) [9511096](#) [9511016](#) [9822011](#) [CAB PC 203018 G](#) [NSYTLEU](#) [PC 30/25-FC3](#) [9820006](#) [1010.600](#) [AR242410CHSSL](#) [137-455](#) [105-](#)
[904](#) [120-404](#) [130-505](#) [127-406](#) [EKIV 17](#) [18200101](#) [18600801](#) [19501001](#) [19600901](#) [A317SEAL](#) [A3735SEAL](#) [HV 60 MW](#)