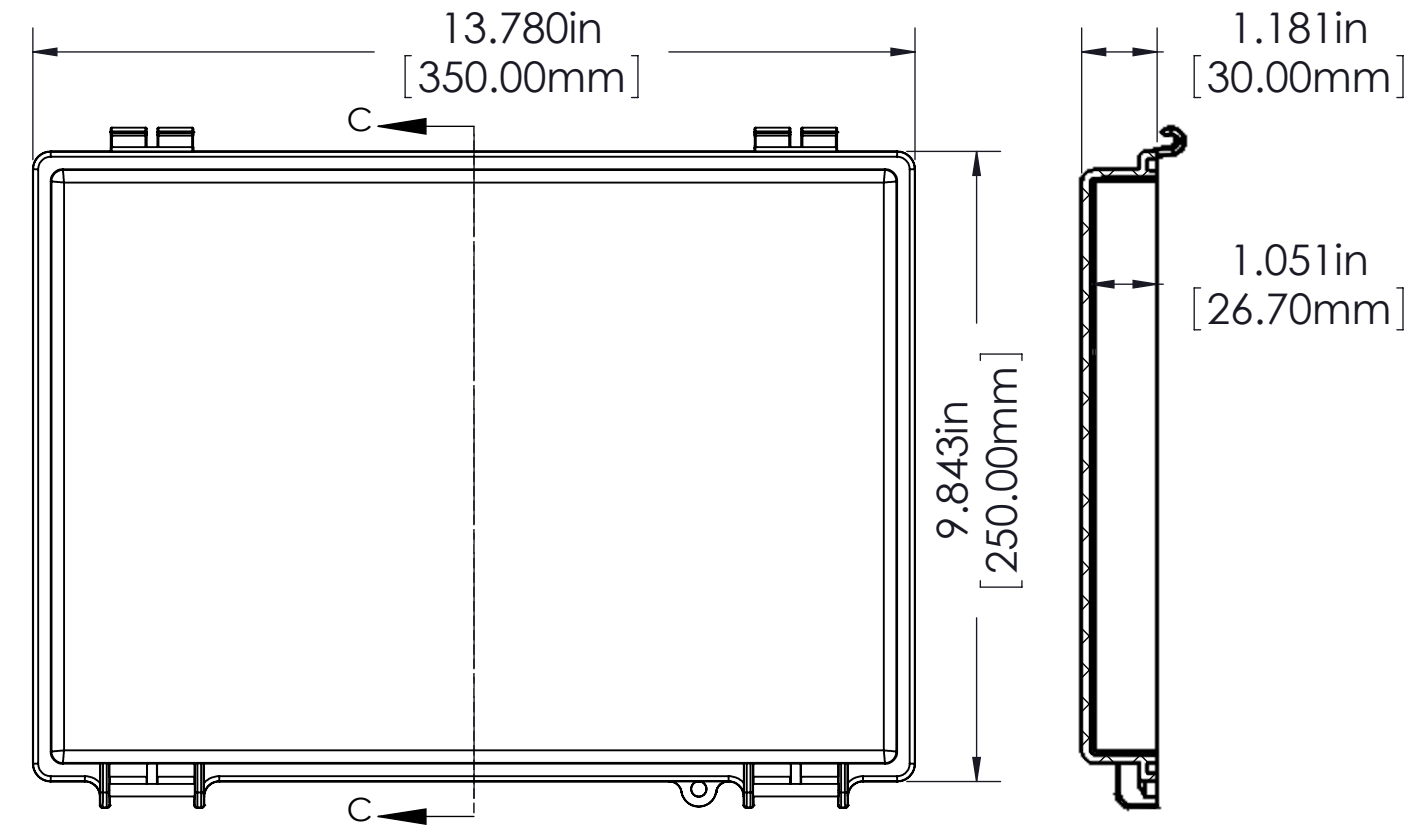


| MATERIAL | FLAMMABILITY RATING | CONTINUOUS OPERATING TEMP. |
|----------------|-----------------------|--------------------------------|
| ABS | UL94-HB | -40°C ~ +60°C / -40°F ~ 140°F |
| CLEAR PC | UL94-V0 UV STABILIZED | -40°C ~ +130°C / -40°F ~ 266°F |
| ABS / PC BLEND | UL94-5VA | -40°C ~ +85°C / -40°F ~ 185°F |
| PBT / PC BLEND | UL94-5VA + UV (f1) | -40°C ~ +75°C / -40°F ~ 167°F |

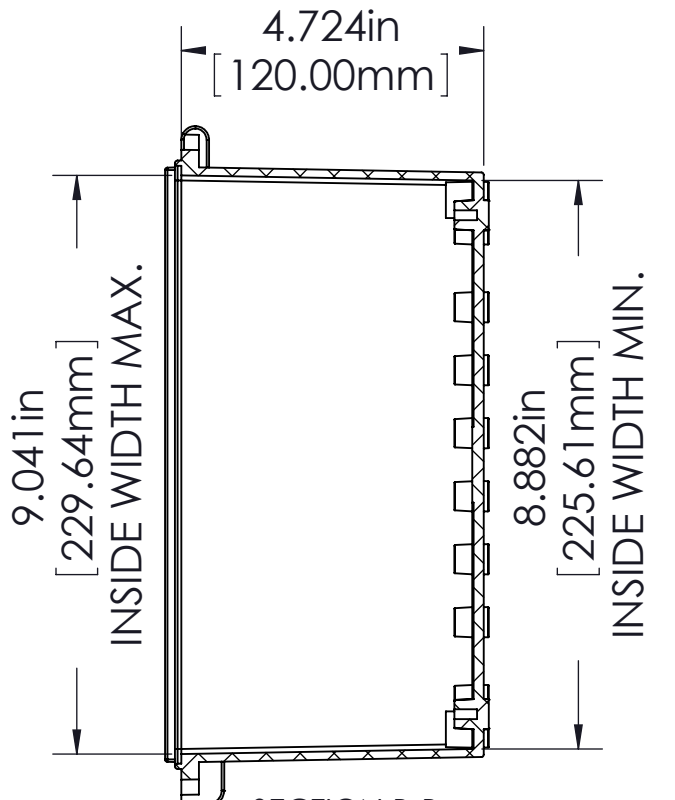
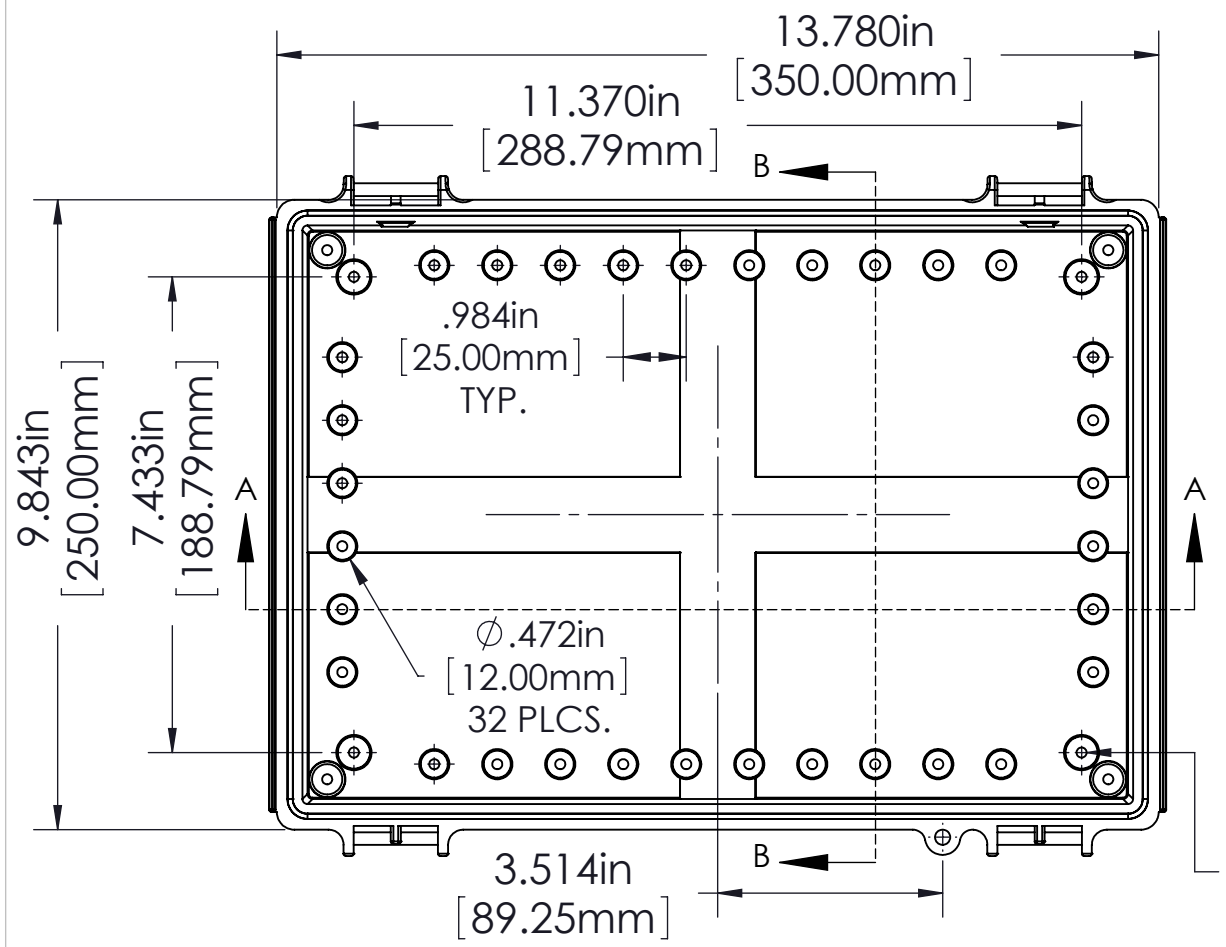
FINISH:
 BODY _____ LIGHT GRAY
 COVER _____ LIGHT GRAY OR CLEAR
 LATCHES & HINGES _____ PLASTIC
 WALL MOUNTING BRACKETS _____ STAINLESS STEEL & HARDWARE

COVER



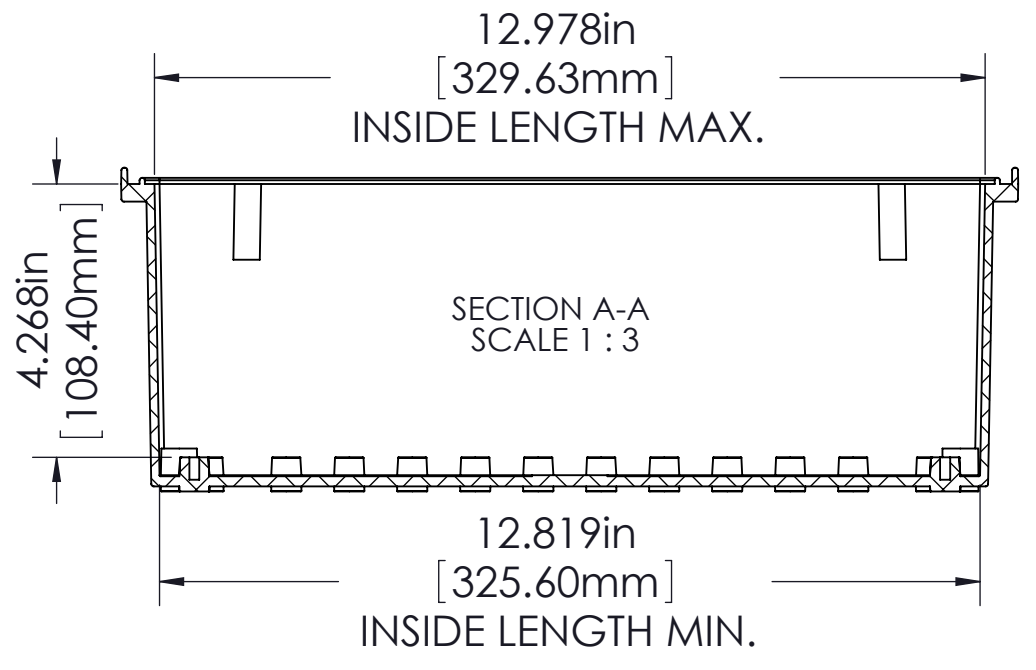
SECTION C-C
SCALE 1:3

BODY

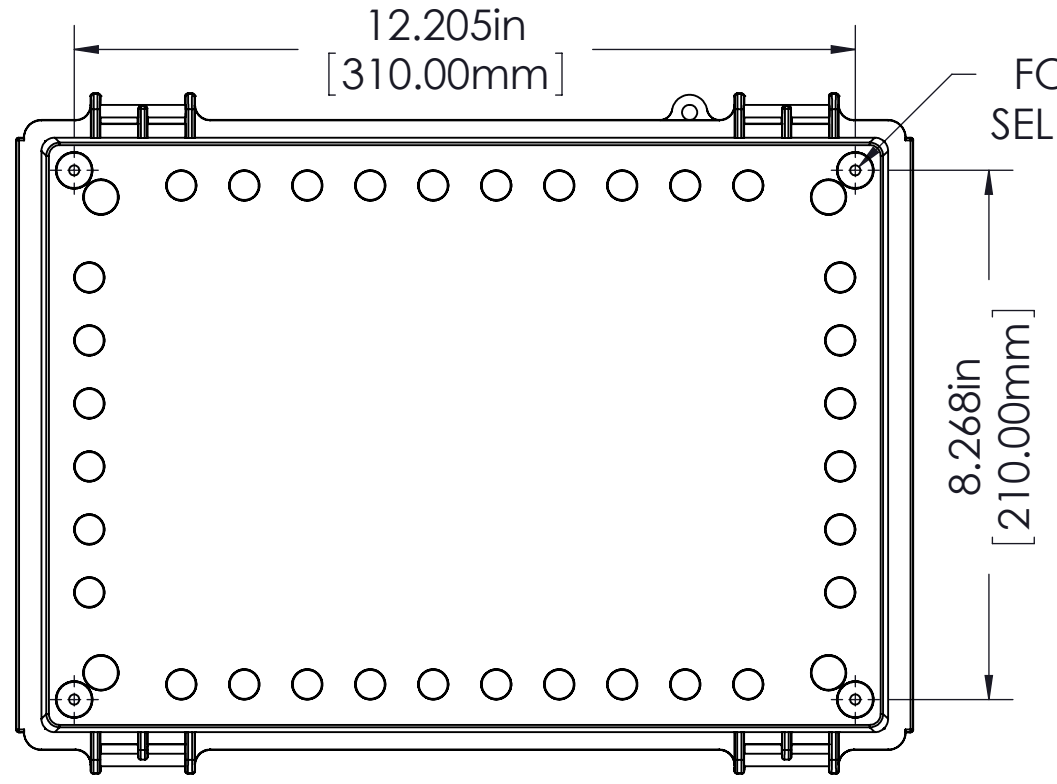


SECTION B-B
SCALE 1:3

Ø.157in [4.00mm]
 FOR M5 x 10mm LG. SELF-TAPPING SCREWS (ABS VERSIONS ONLY)
 M5 THREADED INSERTS ON ALL OTHER VERSIONS USE M5 x 8mm LG. MACHINE SCREWS.

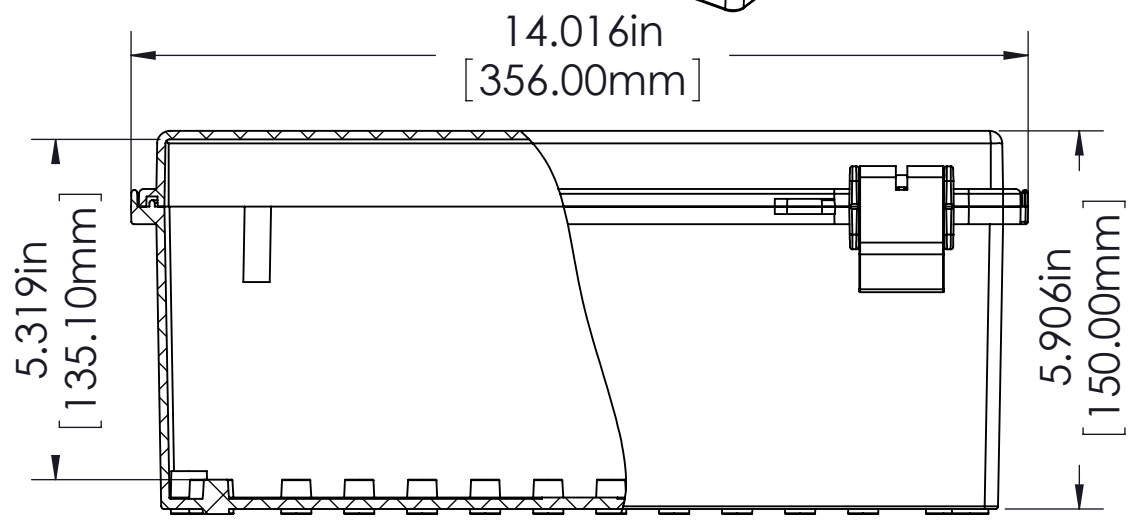
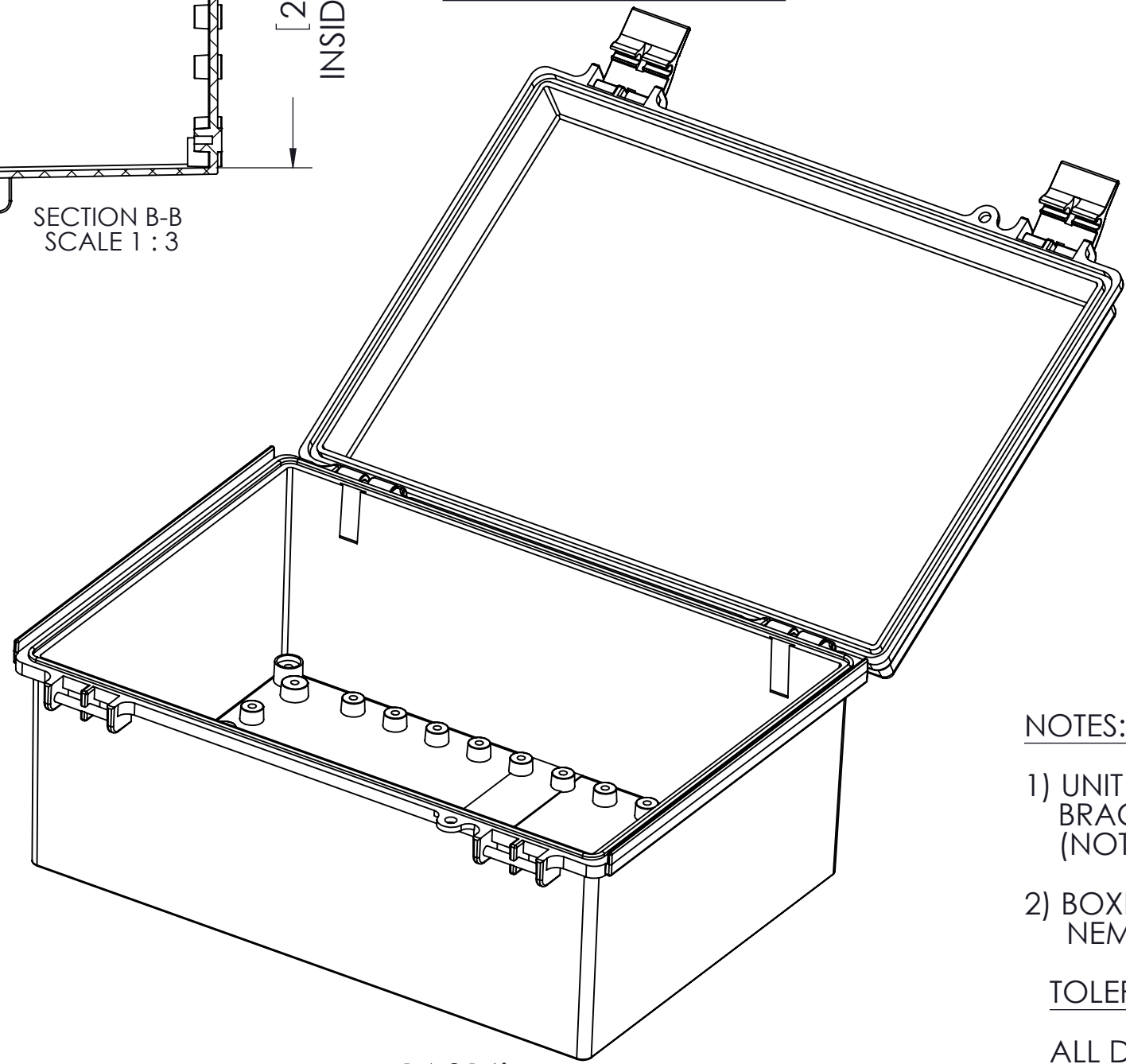


SECTION A-A
SCALE 1:3



Ø.157in [4.00mm]
 FOR M5 x 10mm LG. SELF-TAPPING SCREWS
 4 PLCS.

ASSEMBLY



NOTES:

- 1) UNIT COMES COMPLETE WITH (4) WALL MOUNTING BRACKETS & (4) M5 x 10mm LG. SELF-TAPPING SCREWS. (NOT SHOWN)
- 2) BOXES DESIGNED TO MEET FOLLOWING STANDARDS: NEMA 1,2,4,4X, AND IEC529-IP65 REQUIREMENTS.

TOLERANCE:

ALL DIMENSIONS HAVE ±0.039in [±1mm] TOLERANCE UNLESS OTHERWISE SPECIFIED.

| PART NO. | MATERIAL | | USE |
|-----------|----------|----------|---------|
| | BODY | COVER | |
| NBF-32022 | ABS | ABS | INDOOR |
| NBF-32122 | ABS / PC | ABS / PC | INDOOR |
| NBF-32222 | ABS / PC | CLEAR PC | INDOOR |
| NBF-32322 | PBT / PC | PBT / PC | OUTDOOR |
| NBF-32422 | PBT / PC | CLEAR PC | OUTDOOR |

X-ON Electronics

Largest Supplier of Electrical and Electronic Components

Click to view similar products for [Electrical Enclosures](#) category:

Click to view products by [Bud Industries](#) manufacturer:

Other Similar products are found below :

[120-401](#) [120-905](#) [120-909](#) [120-403](#) [130-004](#) [MR-25L+](#) [30-8739](#) [PIP-11774SCREW](#) [30-9715](#) [30-9777-BU](#) [105-905](#) [110-902](#) [110-901](#)
[A16N12BLP](#) [110-406](#) [110-401](#) [110-404](#) [120-405](#) [34861601](#) [106-009](#) [106-505](#) [105-405](#) [111-005](#) [127-909](#) [106-502](#) [130-503](#) [127-455](#)
[9511150](#) [9511017](#) [9820011](#) [NSYTDB5PL](#) [137-455](#) [130-001](#) [105-904](#) [120-404](#) [137-005](#) [130-505](#) [127-406](#) [AB 1,5.0](#) [AB2.0](#) [ABM.0](#)
[73345601](#) [F-MP](#) [H-MP](#) [M-MP](#) [PAT 12040](#) [2461000](#) [9121230](#) [79541301](#) [19001001](#)