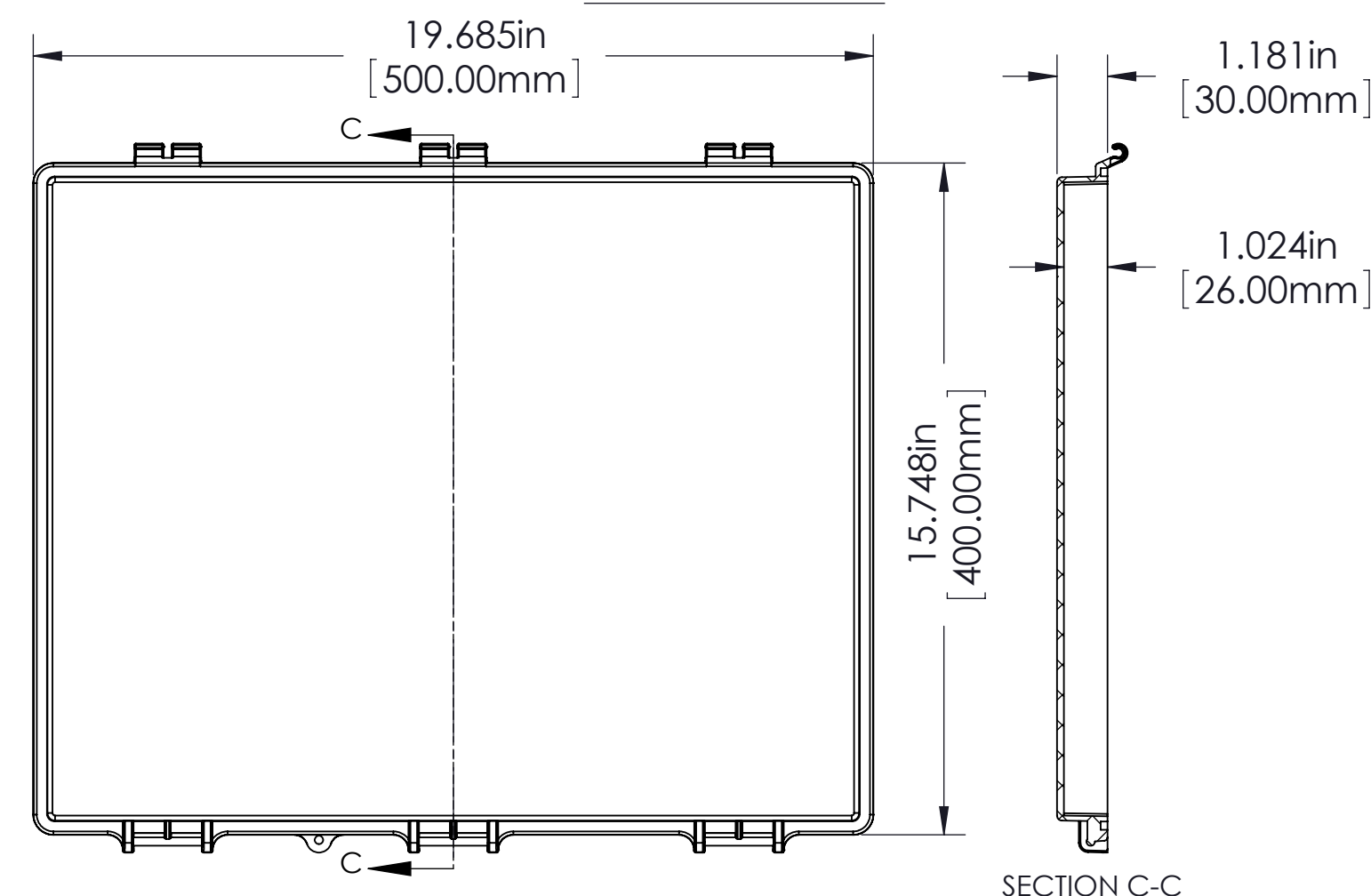


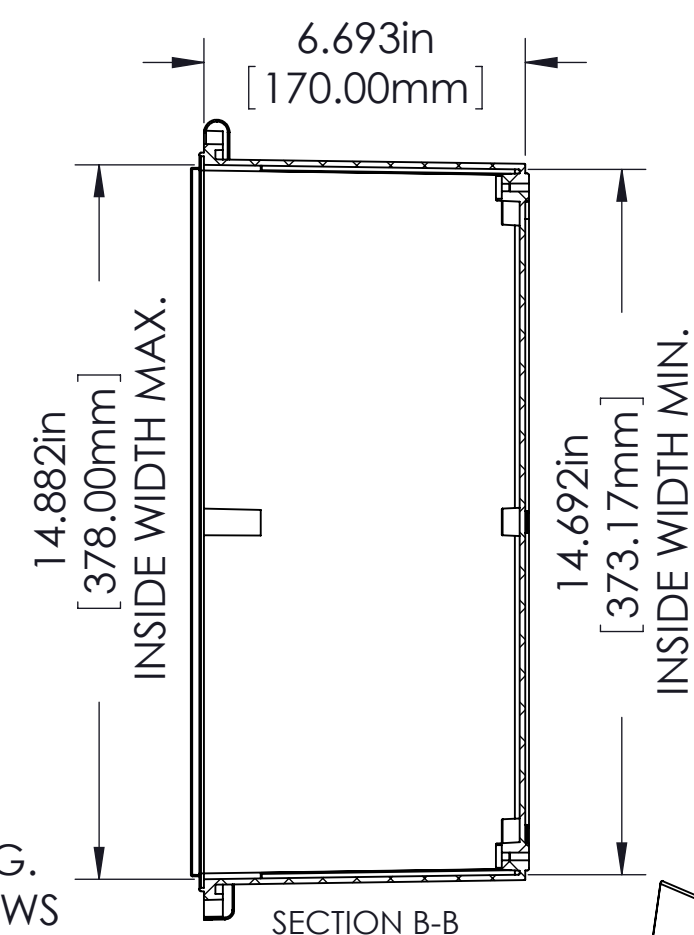
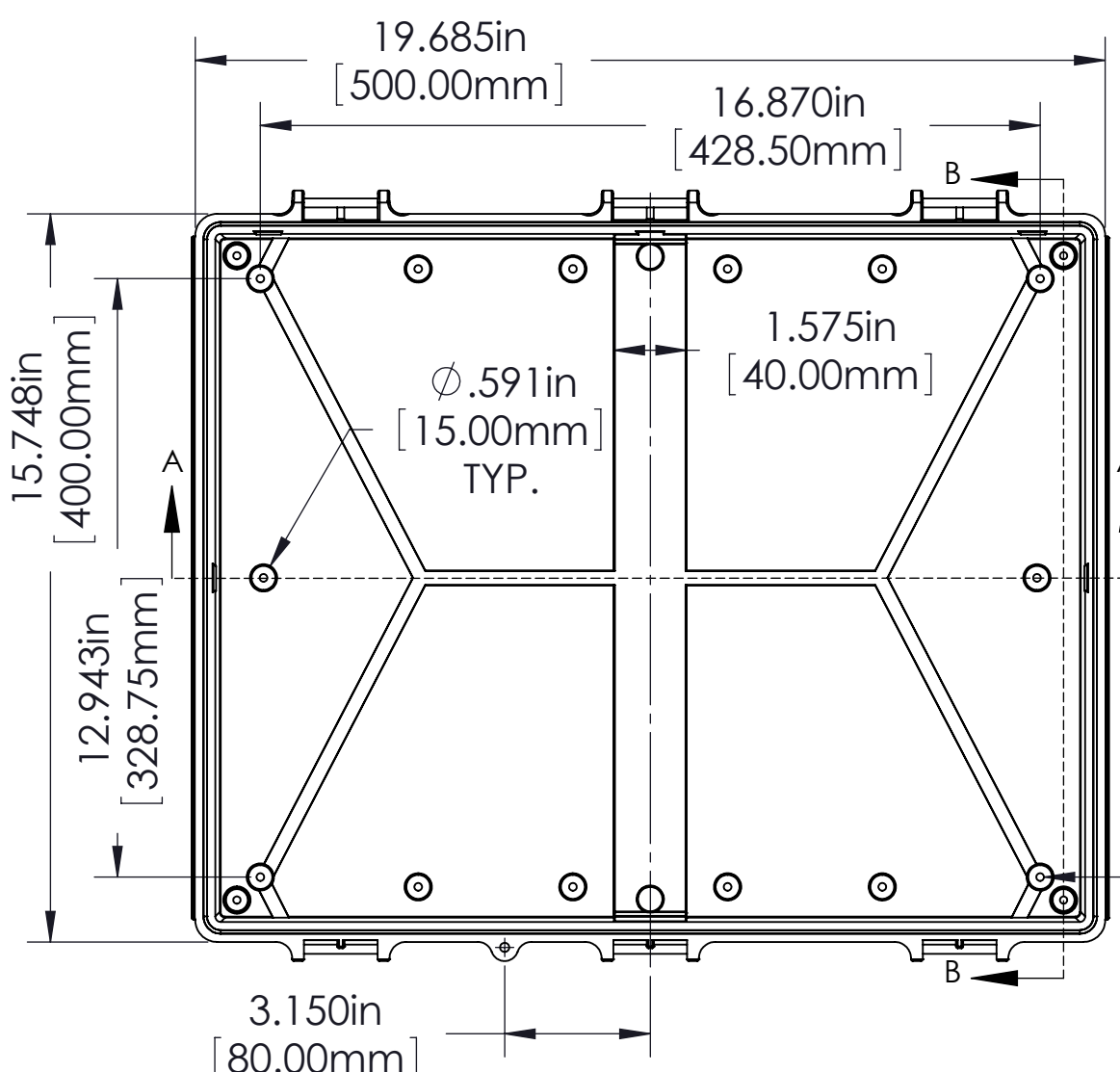
MATERIAL	FLAMMABILITY RATING	CONTINUOUS OPERATING TEMP.
ABS	UL94-HB	-40°C ~ +60°C / -40°F ~ 140°F
CLEAR PC	UL94-V0 UV STABILIZED	-40°C ~ +130°C / -40°F ~ 266°F
ABS / PC BLEND	UL94-5VA	-40°C ~ +85°C / -40°F ~ 185°F
PBT / PC BLEND	UL94-5VA + UV (f1)	-40°C ~ +75°C / -40°F ~ 167°F

FINISH:  
 BODY \_\_\_\_\_ LIGHT GRAY  
 COVER \_\_\_\_\_ LIGHT GRAY OR CLEAR  
 LATCHES & HINGES \_\_\_\_\_ PLASTIC  
 WALL MOUNTING BRACKETS \_\_\_\_\_ STAINLESS STEEL & HARDWARE

## COVER

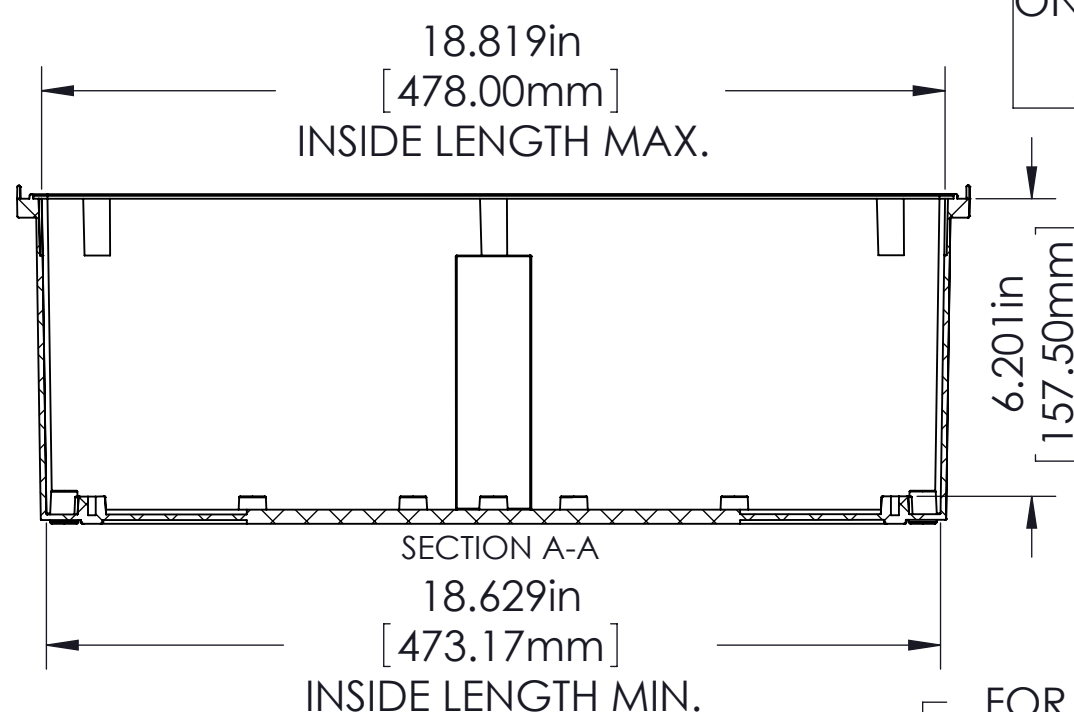


## BODY

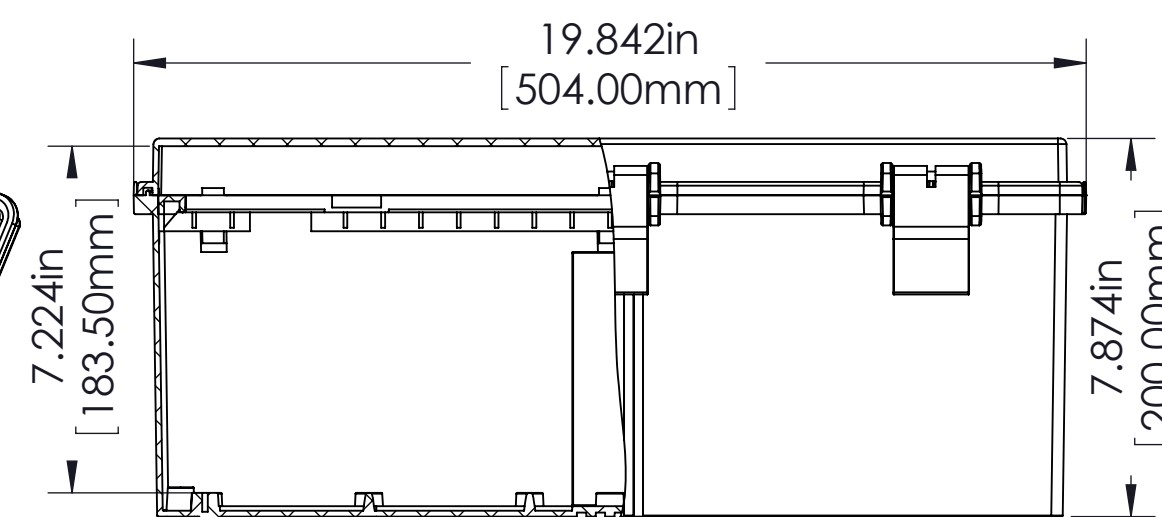
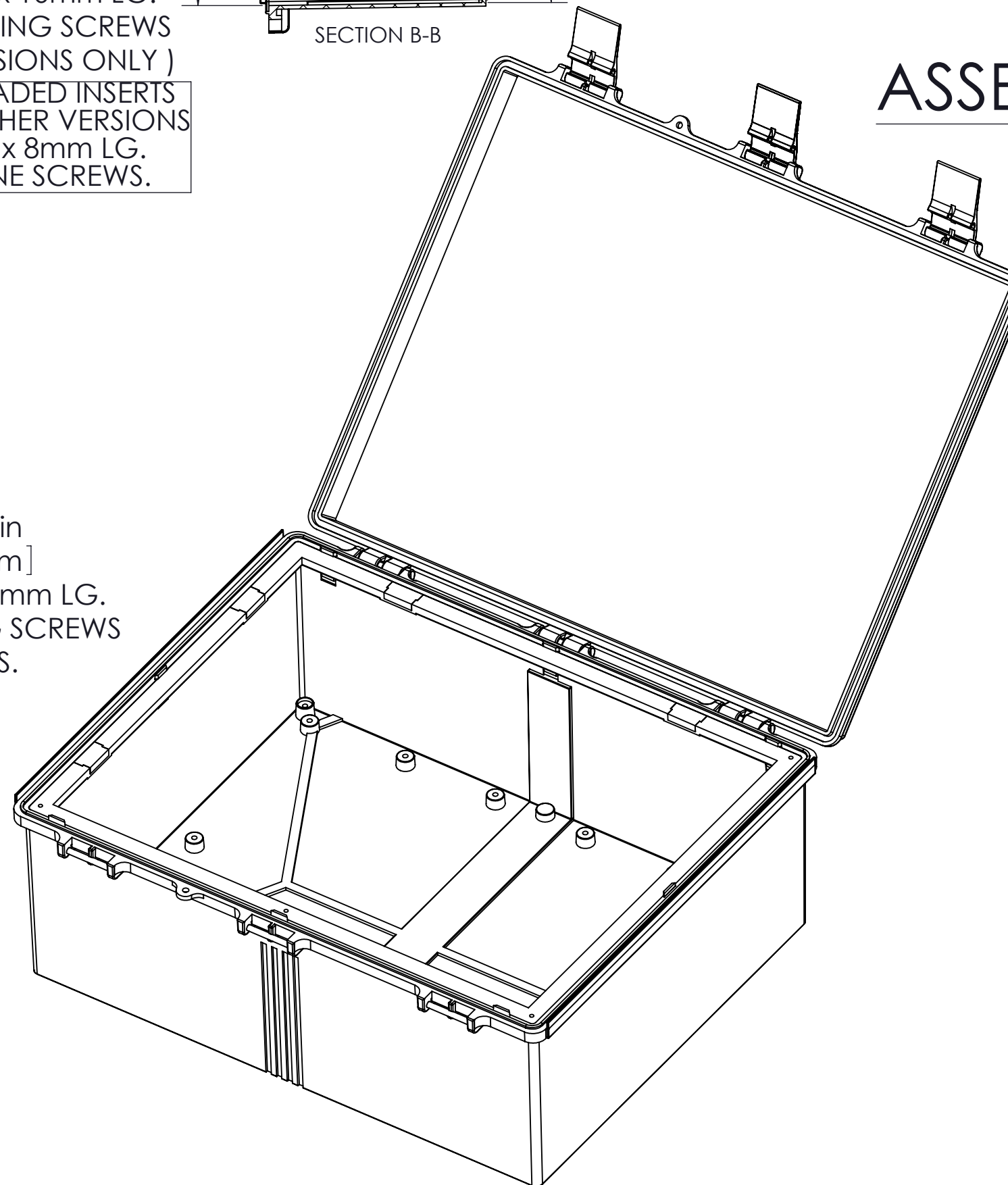


Ø.165in [4.20mm]  
 FOR M5 x 10mm LG. SELF-TAPPING SCREWS (ABS VERSIONS ONLY)  
 M5 THREADED INSERTS ON ALL OTHER VERSIONS USE M5 x 8mm LG. MACHINE SCREWS.

## ASSEMBLY



Ø.165in [4.20mm]  
 FOR M5 x 10mm LG. SELF-TAPPING SCREWS 4 PLCS.

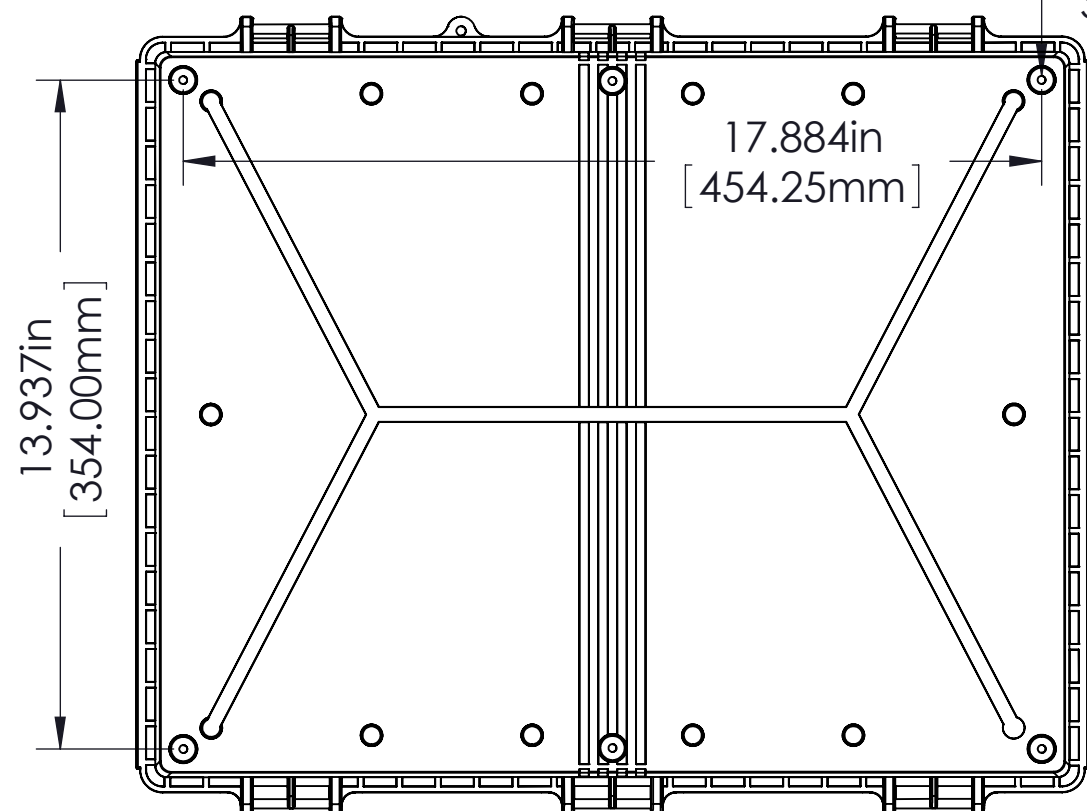


**NOTES:**

- UNIT COMES COMPLETE WITH (4) WALL MOUNTING BRACKETS & (4) M4 x 10mm LG. SELF-TAPPING SCREWS. (NOT SHOWN)
- BOXES DESIGNED FOR THE FOLLOWING STANDARDS: NEMA 1,2,4,4X, AND IEC529-IP65 REQUIREMENTS.

**TOLERANCE:**

ALL DIMENSIONS HAVE ±0.039in [±1mm] TOLERANCE UNLESS OTHERWISE SPECIFIED.



PART NO.	MATERIAL		USE
	BODY	COVER	
NBF-32034	ABS	ABS	INDOOR
NBF-32134	ABS / PC	ABS / PC	INDOOR
NBF-32234	ABS / PC	CLEAR PC	INDOOR
NBF-32334	PBT / PC	PBT / PC	OUTDOOR
NBF-32434	PBT / PC	CLEAR PC	OUTDOOR

## X-ON Electronics

Largest Supplier of Electrical and Electronic Components

*Click to view similar products for [Electrical Enclosures](#) category:*

*Click to view products by [Bud Industries](#) manufacturer:*

Other Similar products are found below :

[120-401](#) [120-905](#) [120-909](#) [120-403](#) [130-004](#) [MR-25L+](#) [30-8739](#) [PIP-11774SCREW](#) [30-9715](#) [30-9777-BU](#) [105-905](#) [110-902](#) [110-901](#)  
[A16N12BLP](#) [110-406](#) [110-401](#) [110-404](#) [120-405](#) [34861601](#) [106-009](#) [106-505](#) [105-405](#) [111-005](#) [127-909](#) [106-502](#) [130-503](#) [127-455](#)  
[9511150](#) [9511017](#) [9820011](#) [NSYTDB5PL](#) [137-455](#) [130-001](#) [105-904](#) [120-404](#) [137-005](#) [130-505](#) [127-406](#) [AB 1,5.0](#) [AB2.0](#) [ABM.0](#)  
[73345601](#) [F-MP](#) [H-MP](#) [M-MP](#) [PAT 12040](#) [2461000](#) [9121230](#) [79541301](#) [19001001](#)