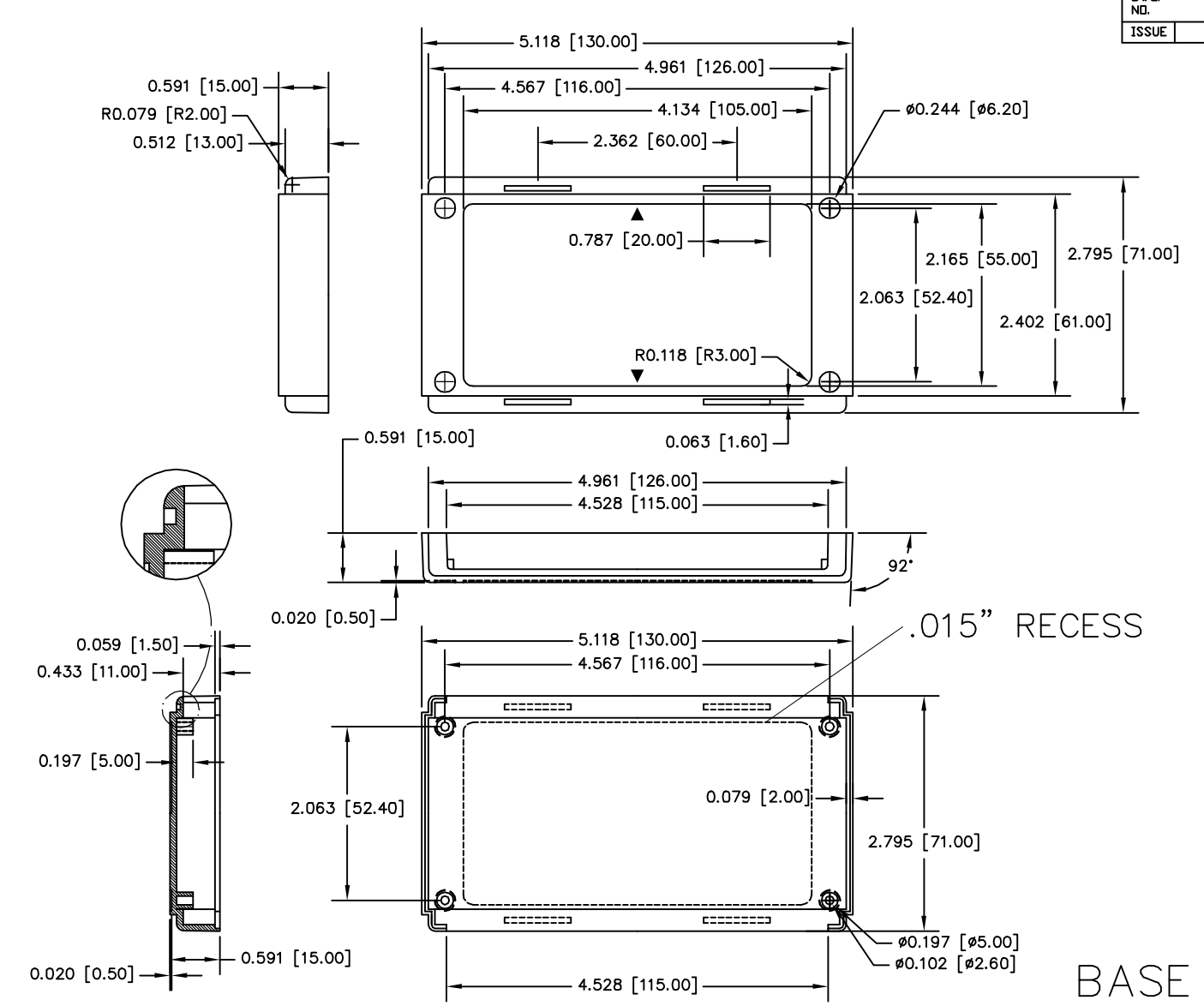
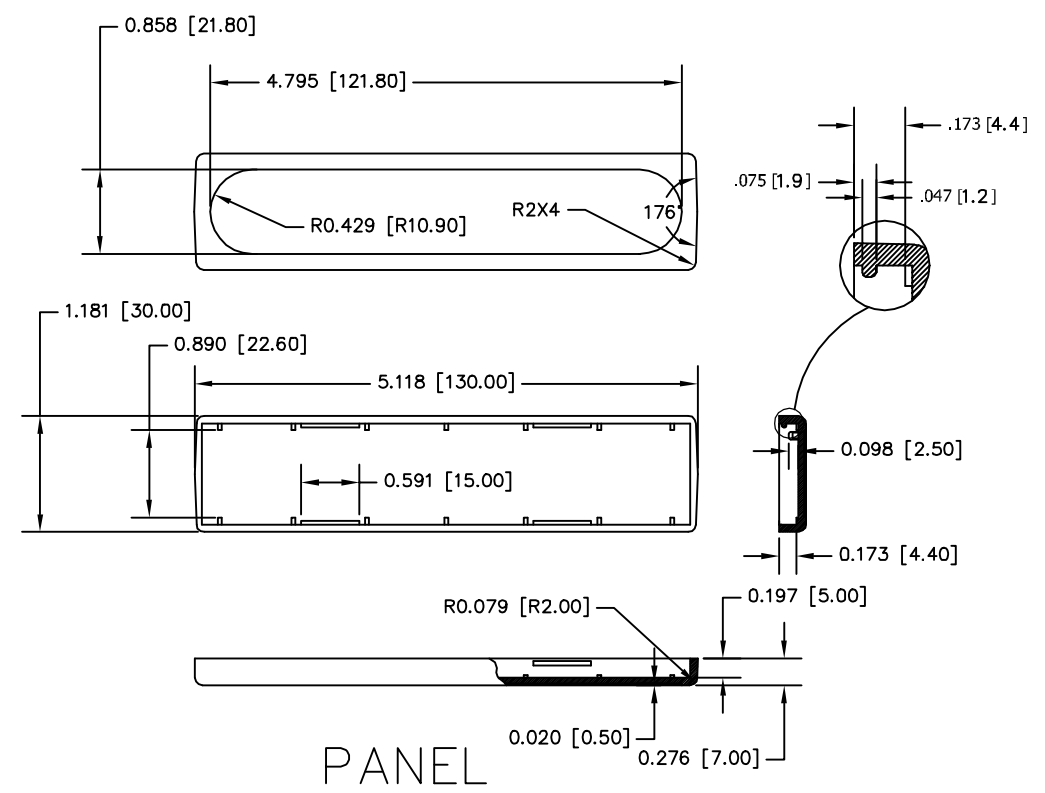


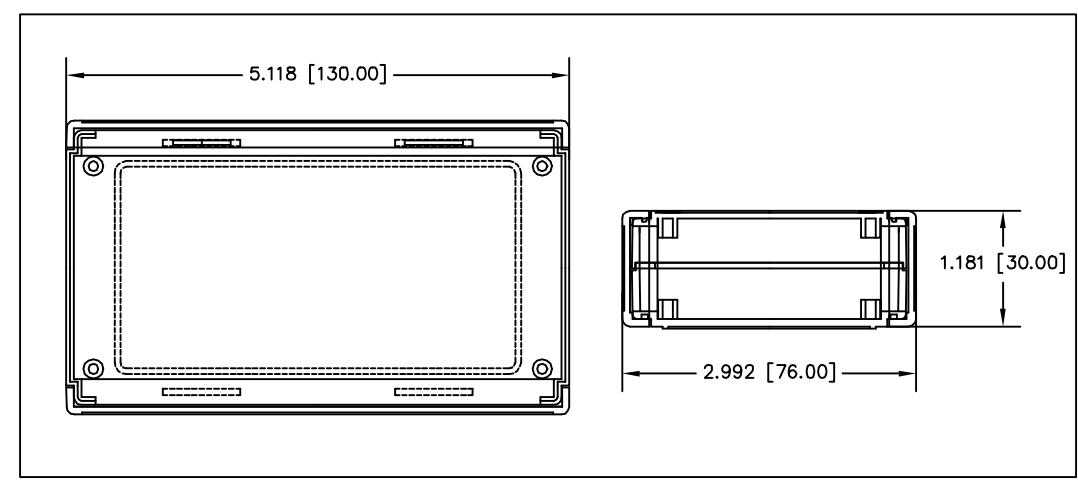
LID



BASE



PANEL



MATERIAL : HIGH IMPACT UL-94-HB ABS .  
 COLOR:  
 LID & BASE ARE MOLDED IN LIGHT GREY COLOR  
 FRONT & END PANELS  
 ARE MOLDED IN DARK GREY COLOR  
 FINISH:  
 FRONT & END PANELS ARE SMOOTH WITH TEXTURE ONLY IN THE  
 RECESS AREA.  
 LID & BASE ARE SMOOTH WITH TEXTURE ONLY IN OUTSIDE RAISED  
 AREA.  
 FOUR (4) INTERNAL BOSSES ON BASE & LID ARE  
 AVAILABLE FOR PCB ASSEMBLY. USE M2.5 OR  
 #4 STD SHEET METAL SCREWS.  
 ALL DIMENSIONAL TOLERANCES ARE +/-0.15  
 RUBBER FEET PART NUMBER ----- AVAILABLE AS ACCESSORY

TOLERANCES:		ITEM REQ'D	PART NO.	DESCRIPTION
±0.05 BETWEEN HOLE CENTERS	±0.05 FROM SHEARED EDGE	MAT: AS NOTED	SCALE:	NAME:
±0.02 FROM A BENT SURFACE	±0.03 BETWEEN ASSEMBLED SURFACES	FINISH: AS NOTED	DR. RD 10-13-08	BUD INDUSTRIES, INC
UNLESS OTHERWISE SPECIFIED		CH.	WILLOUGHBY, OHIO	PLASTICASE STYLE I
QTY.	USED ON	APP.		5.12 X 3.00 X 1.18
				DWG. NO. PC-11476

## X-ON Electronics

Largest Supplier of Electrical and Electronic Components

*Click to view similar products for* [Enclosures, Boxes & Cases](#) *category:*

*Click to view products by* [Bud Industries](#) *manufacturer:*

Other Similar products are found below :

[60221-01](#) [M17-L-PLN](#) [M-21-PLATED](#) [63310-01-000](#) [74257-510-000](#) [CNL-0004](#) [MDC-13104-PTD](#) [MDC-973-PLAIN-ALUM](#)  
[77153-01-028](#) [FLX6030](#) [83535-01-508](#) [90026-501-000](#) [PS36-200](#) [120-407](#) [120-910](#) [127-908](#) [1301170079](#) [138-PLAIN](#) [1434-1210](#) [144011](#)  
[KAB3421](#) [2697466](#) [S52213](#) [A0645271](#) [A20P20](#) [2106-IR](#) [G505025B](#) [2792057](#) [2890386](#) [2906241](#) [2906254](#) [H5031](#) [RC-7762](#) [CU-284](#) [402-](#)  
[BLACK](#) [404-BLACK](#) [MDC-532-PLAIN-ALUM](#) [MDC-642-PLAIN-ALUM](#) [B137](#) [5400TN](#) [UM-BEFE 35-1 BK](#) [UNC 2-4-6 PLAIN](#) [459-](#)  
[0070](#) [043853](#) [103031](#) [11416P](#) [WM012RI,BK](#) [UPS 350-17-9 PLAIN](#) [UNC 5-6-6 PLAIN](#) [UNC 3-10-10 PLAIN](#) [KR8-315](#) [030808060](#)