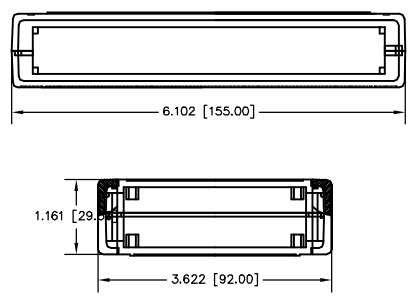
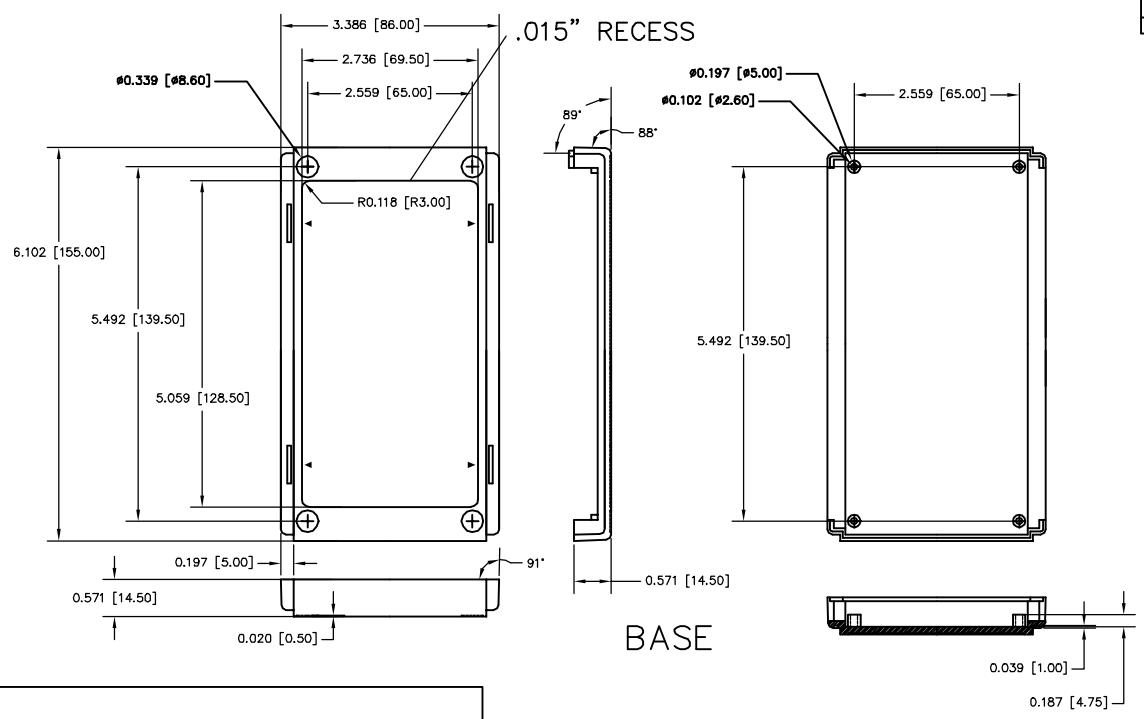


TOLERANCES:		ITEM REQ'D	PART NO.	DESCRIPTION
±.005 BETWEEN HOLE CENTERS	MAT. AS NOTED	SCALE:	NAME:	PLASTICASE STYLE I 6.10 X 3.62 X 1.16
±.005 FROM DIMENSIONED EDGE	FINISH AS NOTED	DR. RJ 10-13-08	BJID	
±.005 FROM A BENT SURFACE	DR. RJ 10-13-08	BJID INDUSTRIES, INC.	DWG NO. PC-11477	
±.005 BETWEEN ASSEMBLED SURFACES	CH.	VILLIQUHBY, OHIO	ISSUE REVISIONS	
UNLESS OTHERWISE SPECIFIED	APP.			



MATERIAL : HIGH IMPACT UL-94-HB ABS.
 COLOR:
 LID & BASE ARE MOLDED IN LIGHT GREY COLOR
 FRONT & END PANELS
 ARE MOLDED IN DARK GREY COLOR
 FINISH:
 FRONT & END PANELS ARE SMOOTH WITH TEXTURE ONLY IN THE RECESS AREA.
 LID & BASE ARE SMOOTH WITH TEXTURE ONLY IN OUTSIDE RAISED AREA.
 FOUR (4) INTERNAL BOSSES ON BASE & LID ARE
 AVAILABLE FOR PCB ASSEMBLY. USE M2.5 OR
 #4 STD SHEET METAL SCREWS.
 ALL DIMENSIONAL TOLERANCES ARE ±.015
 RUBBER FEET PART NUMBER ----- AVAILABLE AS ACCESSORY

TOLERANCES:		ITEM REQ'D	PART NO.	DESCRIPTION
±.005 BETWEEN HOLE CENTERS	MAT. AS NOTED	SCALE:	NAME:	PLASTICASE STYLE I 6.10 X 3.62 X 1.16
±.005 FROM DIMENSIONED EDGE	FINISH AS NOTED	DR. RJ 10-13-08	BJID	
±.005 FROM A BENT SURFACE	DR. RJ 10-13-08	BJID INDUSTRIES, INC.	DWG NO. PC-11477	
±.005 BETWEEN ASSEMBLED SURFACES	CH.	VILLIQUHBY, OHIO	ISSUE REVISIONS	
UNLESS OTHERWISE SPECIFIED	APP.			

X-ON Electronics

Largest Supplier of Electrical and Electronic Components

Click to view similar products for [Enclosures, Boxes & Cases](#) *category:*

Click to view products by [Bud Industries](#) *manufacturer:*

Other Similar products are found below :

[60221-01](#) [M17-L-PLN](#) [M-21-PLATED](#) [63310-01-000](#) [74257-510-000](#) [CNL-0004](#) [MDC-13104-PTD](#) [MDC-973-PLAIN-ALUM](#)
[77153-01-028](#) [FLX6030](#) [83535-01-508](#) [90026-501-000](#) [PS36-200](#) [120-407](#) [120-910](#) [127-908](#) [1301170079](#) [138-PLAIN](#) [1434-1210](#) [144011](#)
[KAB3421](#) [2697466](#) [S52213](#) [A0645271](#) [A20P20](#) [2106-IR](#) [G505025B](#) [2792057](#) [2890386](#) [2906241](#) [2906254](#) [H5031](#) [RC-7762](#) [CU-284](#) [402-](#)
[BLACK](#) [404-BLACK](#) [MDC-532-PLAIN-ALUM](#) [MDC-642-PLAIN-ALUM](#) [B137](#) [5400TN](#) [UM-BEFE 35-1 BK](#) [UNC 2-4-6 PLAIN](#) [459-](#)
[0070](#) [043853](#) [103031](#) [11416P](#) [WM012RI,BK](#) [UPS 350-17-9 PLAIN](#) [UNC 5-6-6 PLAIN](#) [UNC 3-10-10 PLAIN](#) [KR8-315](#) [030808060](#)