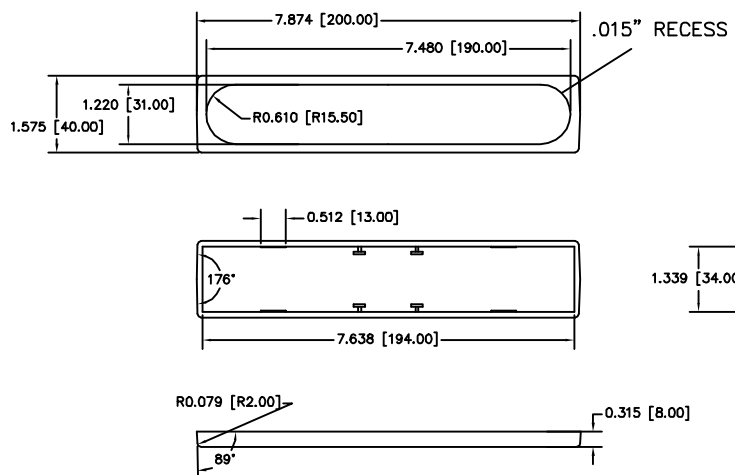
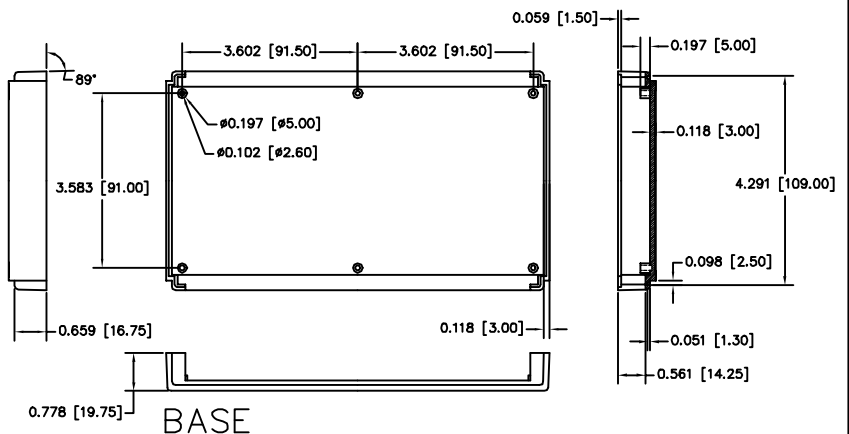
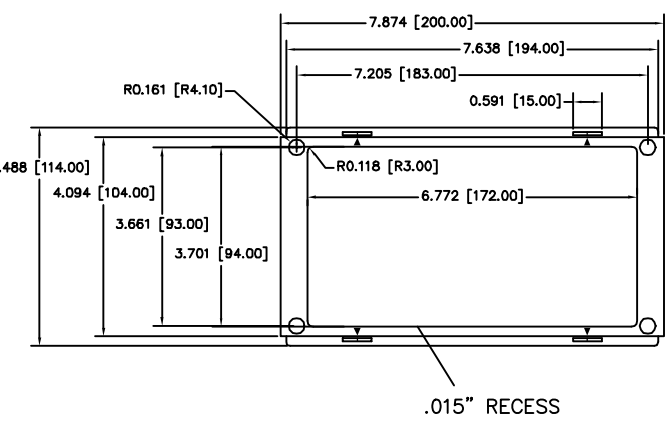


LID

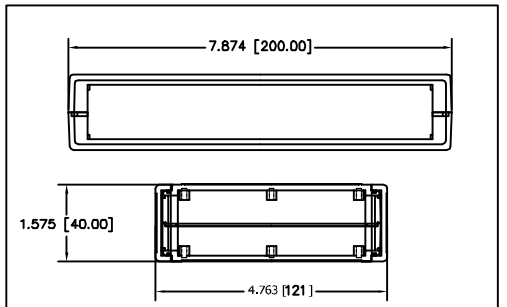


PANEL

TOLERANCES:		FINISH:	REVISIONS:	PART NO.	DESCRIPTION
±0.015	±0.010	AS MOLDED	DATE: 12-12-01	PC-11478	PLASTICASE STYLE I 7.87 X 4.76 X 1.57
±0.010	±0.005	AS MOLDED	DATE: 12-12-01	PC-11478	PLASTICASE STYLE I 7.87 X 4.76 X 1.57
±0.005	±0.002	AS MOLDED	DATE: 12-12-01	PC-11478	PLASTICASE STYLE I 7.87 X 4.76 X 1.57
±0.002	±0.001	AS MOLDED	DATE: 12-12-01	PC-11478	PLASTICASE STYLE I 7.87 X 4.76 X 1.57
±0.001	±0.0005	AS MOLDED	DATE: 12-12-01	PC-11478	PLASTICASE STYLE I 7.87 X 4.76 X 1.57



BASE



MATERIAL : HIGH IMPACT UL-94-HB ABS .
 COLOR:
 LID & BASE ARE MOLDED IN LIGHT GREY COLOR
 FRONT & END PANELS
 ARE MOLDED IN DARK GREY COLOR
 FINISH:
 FRONT & END PANELS ARE SMOOTH WITH TEXTURE ONLY IN THE RECESS AREA.
 LID & BASE ARE SMOOTH WITH TEXTURE ONLY IN OUTSIDE RAISED AREA.
 SIX (6) INTERNAL BOSSES ON BASE & LID ARE
 AVAILABLE FOR PCB ASSEMBLY. USE M2.5 OR
 #4 STD SHEET METAL SCREWS.
 ALL DIMENSIONAL TOLERANCES ARE +/-.015
 RUBBER FEET PART NUMBER ——— AVAILABLE AS ACCESSORY

TOLERANCES:		FINISH:	REVISIONS:	PART NO.	DESCRIPTION
±0.015	±0.010	AS MOLDED	DATE: 12-12-01	PC-11478	PLASTICASE STYLE I 7.87 X 4.76 X 1.57
±0.010	±0.005	AS MOLDED	DATE: 12-12-01	PC-11478	PLASTICASE STYLE I 7.87 X 4.76 X 1.57
±0.005	±0.002	AS MOLDED	DATE: 12-12-01	PC-11478	PLASTICASE STYLE I 7.87 X 4.76 X 1.57
±0.002	±0.001	AS MOLDED	DATE: 12-12-01	PC-11478	PLASTICASE STYLE I 7.87 X 4.76 X 1.57
±0.001	±0.0005	AS MOLDED	DATE: 12-12-01	PC-11478	PLASTICASE STYLE I 7.87 X 4.76 X 1.57

X-ON Electronics

Largest Supplier of Electrical and Electronic Components

Click to view similar products for [Enclosures, Boxes & Cases](#) *category:*

Click to view products by [Bud Industries](#) *manufacturer:*

Other Similar products are found below :

[60221-01](#) [M17-L-PLN](#) [M-21-PLATED](#) [63310-01-000](#) [74257-510-000](#) [CNL-0004](#) [MDC-13104-PTD](#) [MDC-973-PLAIN-ALUM](#)

[77153-01-028](#) [FLX6030](#) [83535-01-508](#) [90026-501-000](#) [PS36-200](#) [120-407](#) [120-910](#) [1301170079](#) [138-PLAIN](#) [1434-1210](#) [144011](#) [KAB3421](#)

[2697466](#) [S52213](#) [A0645271](#) [A20P20](#) [2106-IR](#) [G505025B](#) [2792057](#) [2890386](#) [2906241](#) [2906254](#) [H5031](#) [RC-7762](#) [CU-284](#) [402-BLACK](#)

[404-BLACK](#) [MDC-532-PLAIN-ALUM](#) [MDC-642-PLAIN-ALUM](#) [459-0040](#) [B137](#) [5400TN](#) [UM-BEFE 35-1 BK](#) [UNC 2-4-6 PLAIN](#) [043853](#)

[103031](#) [11416P](#) [WM012RI,BK](#) [UPS 350-17-9 PLAIN](#) [UNC 5-6-6 PLAIN](#) [UNC 3-10-10 PLAIN](#) [KR8-315](#) [030808060](#) [5400HB](#)