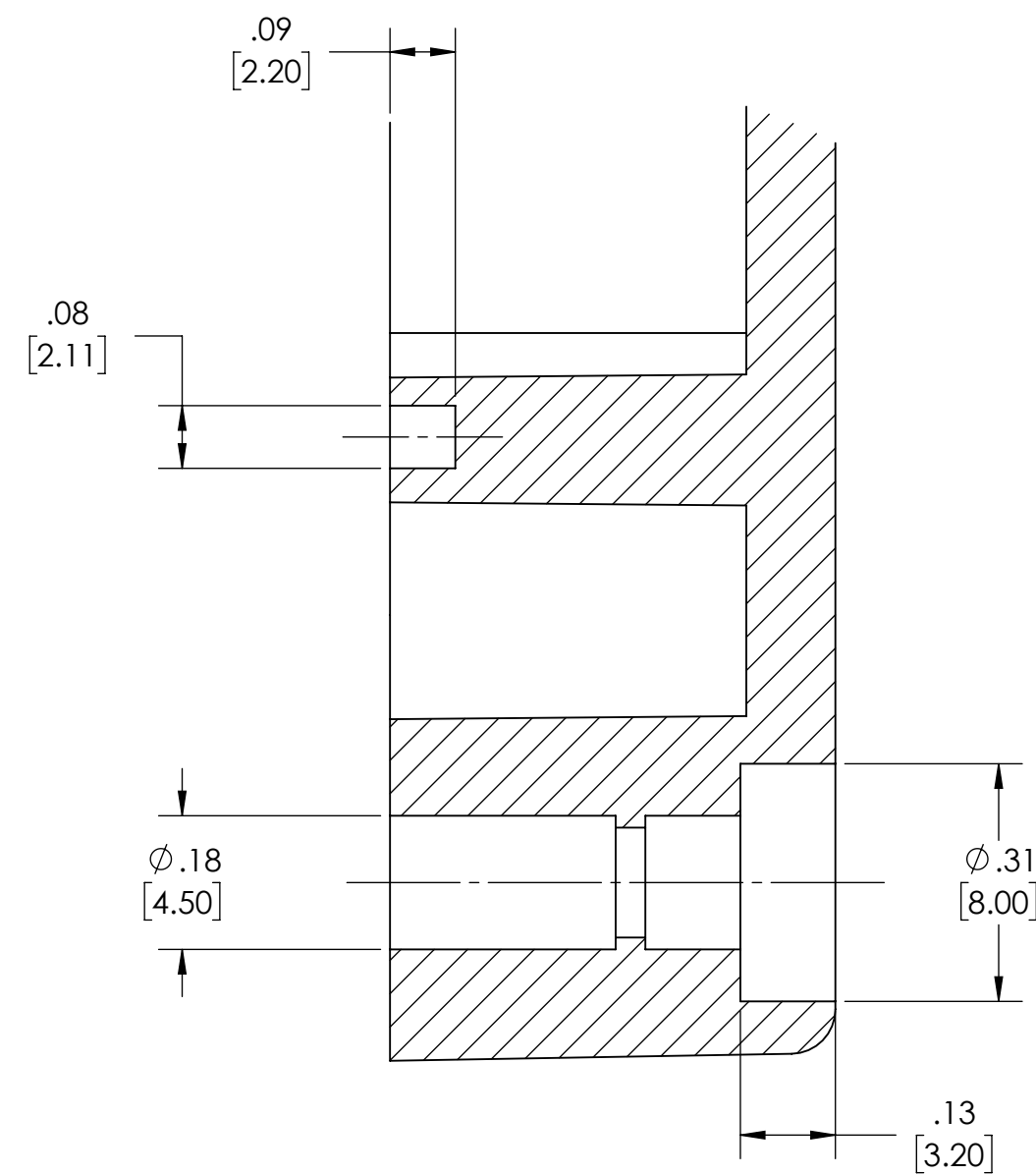
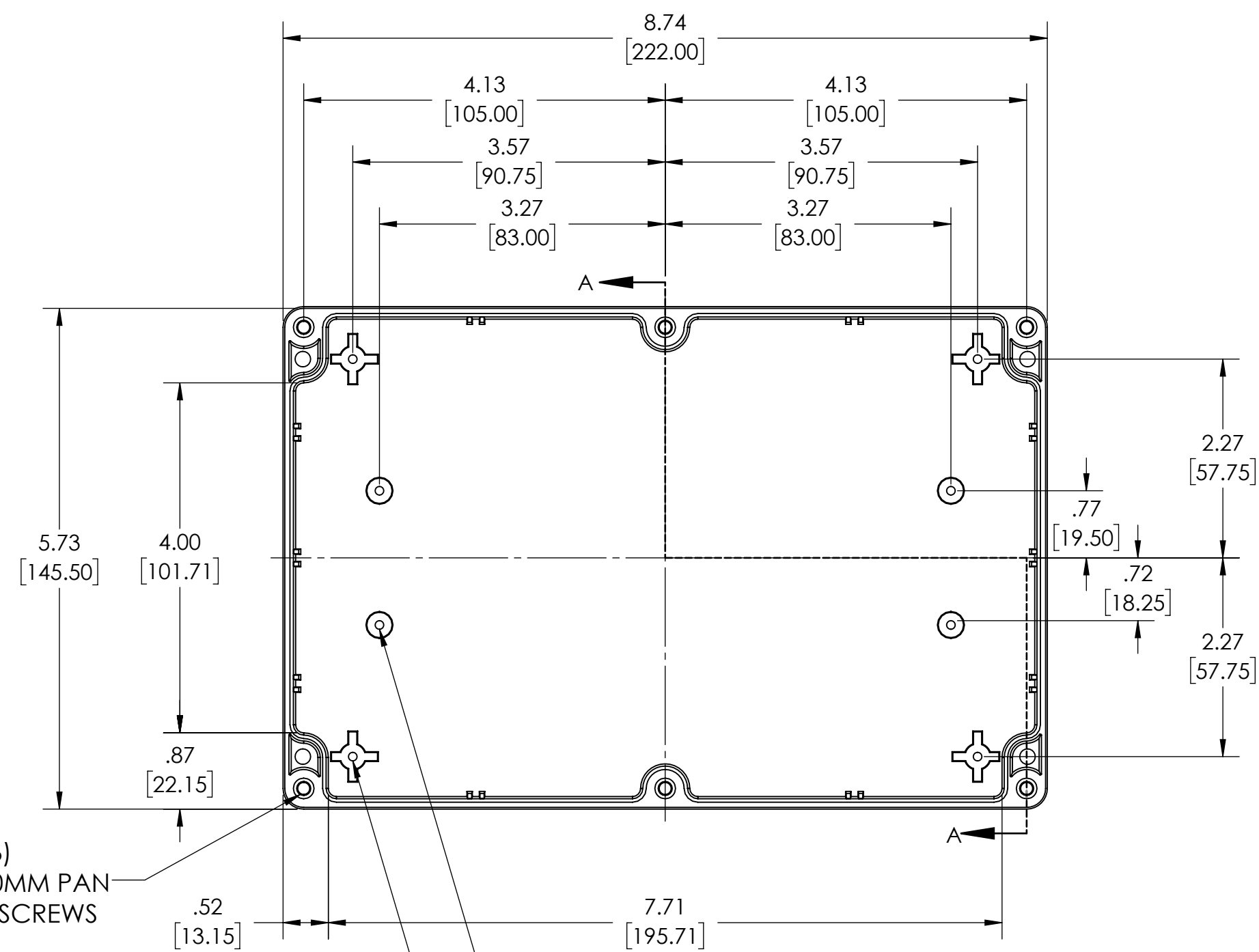
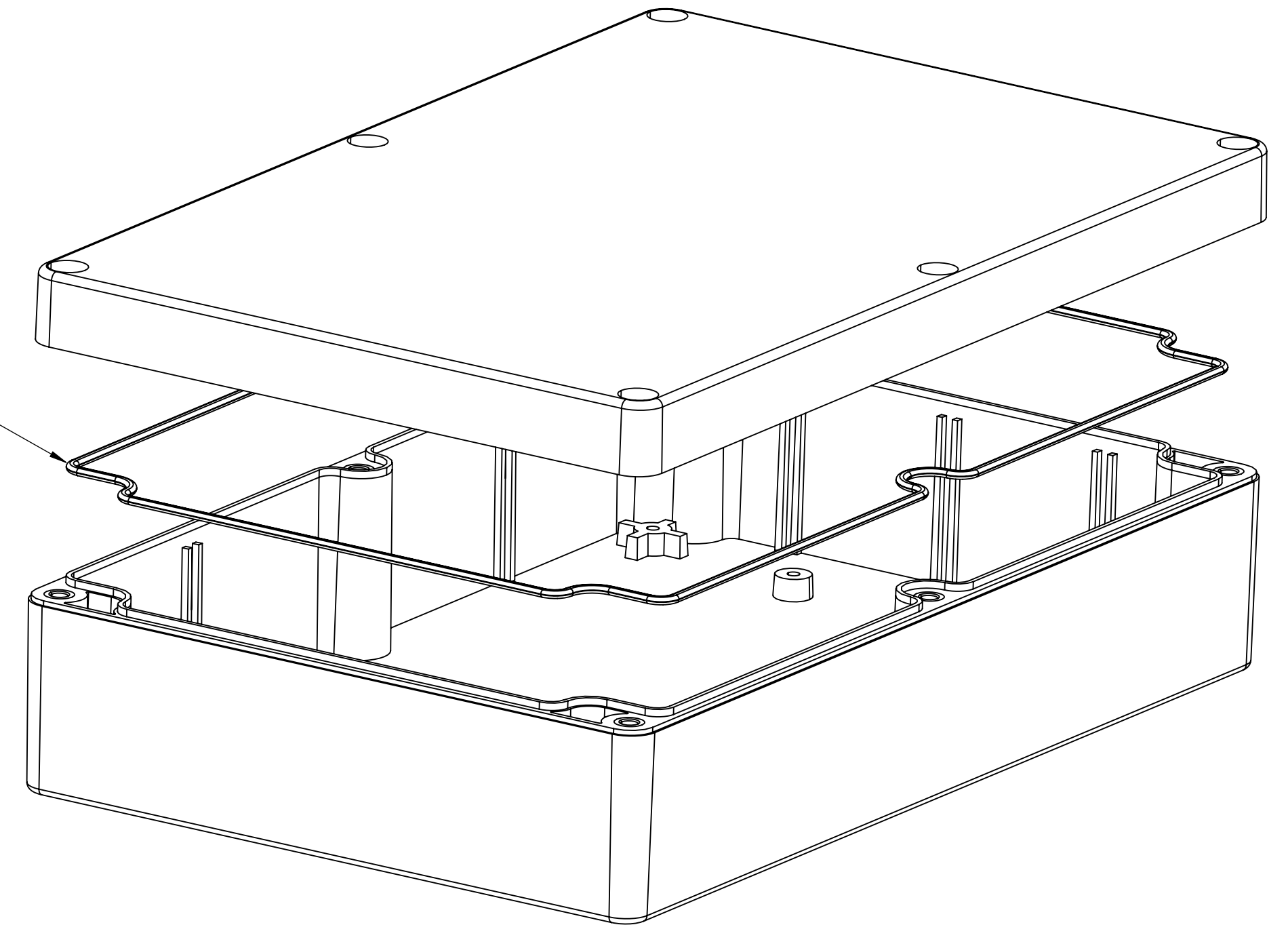


NOTES:

1. MATERIAL AND FLAMMABILITY.  
POLYCARBONATE (LIGHT GRAY AND CLEAR) - UL94-HB  
BODY, COVER AND CLEAR COVER (C)  
FLAMMABILITY RATING (UL FILE #E41613)  
SERVICE TEMPERATURE RANGE: -40°C TO +120°C
2. UL 508A (E352997) UL CERT OF COMPLIANCE.: BOXES UL LISTED  
NEMA TYPE 6P STANDARD. DESIGNED MEETS IP68 OF IEC529  
REQUIREMENTS. PC VERSION UV RESISTANT FOR OUT DOOR USE.
3. GASKET (NOT INSTALLED) MOLDED SILICONE WHITE
4. DIMENSIONS ARE INCH



GASKET (NOT INSTALLED)  
MOLDED SILICONE WHITE

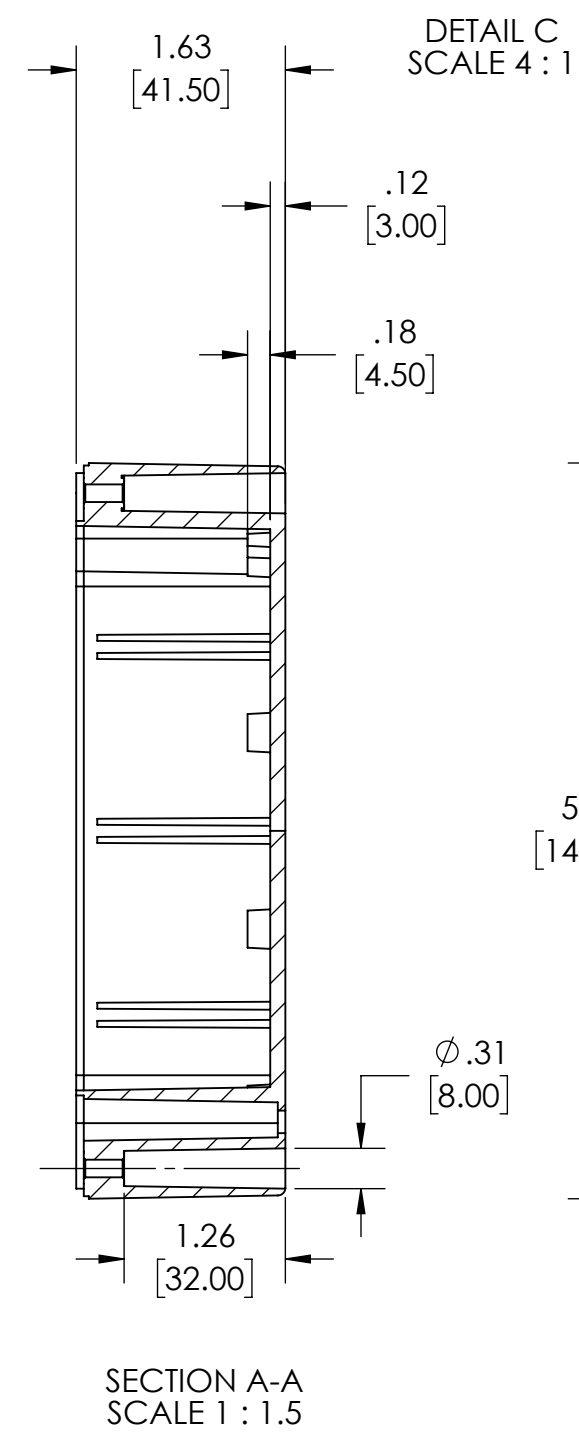


FOR (6)  
M4X20MM PAN  
HEAD SCREWS

M3X6 TAPPING SCREWS X 4  
(SCREWS NOT SUPPLIED)

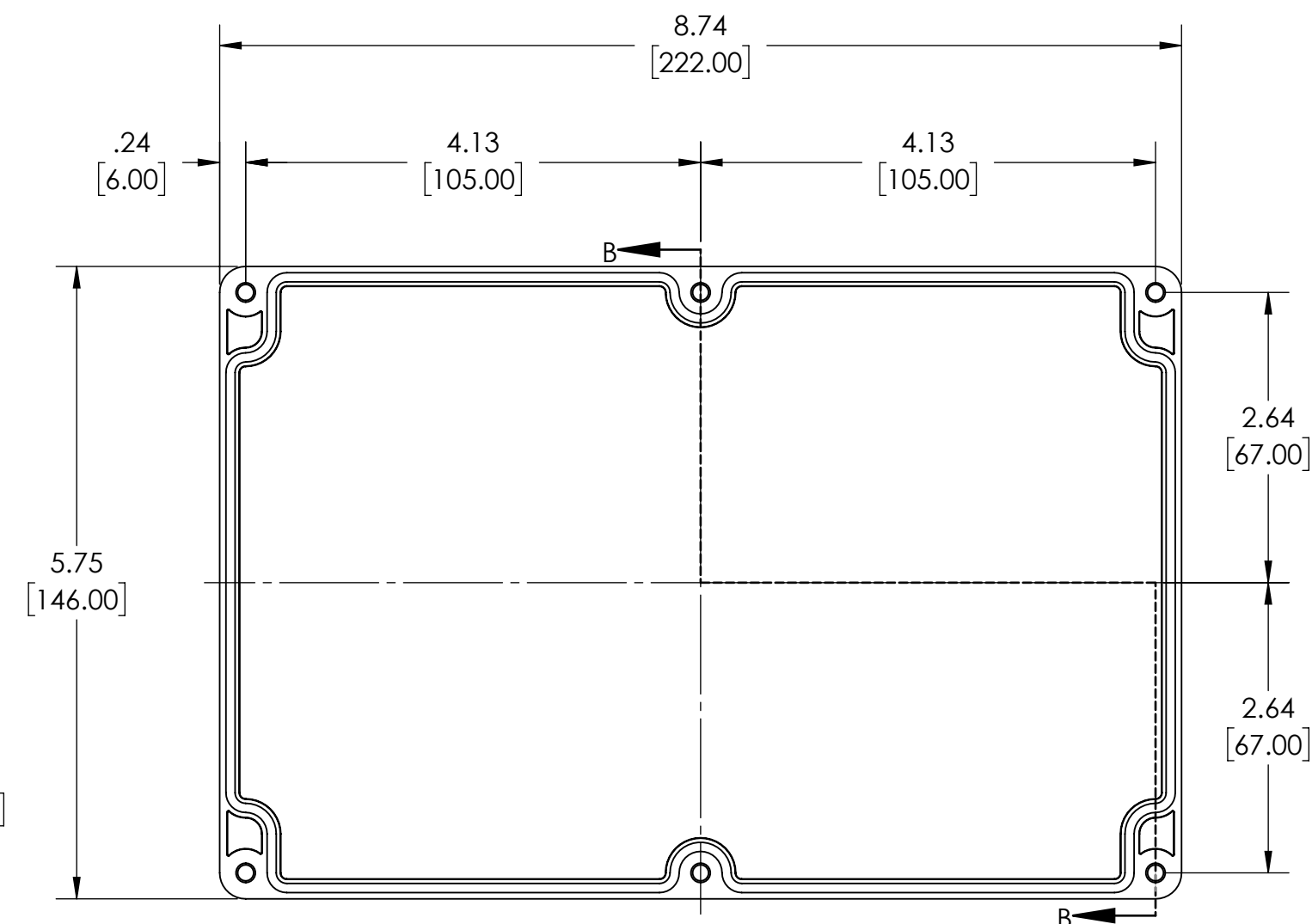
BODY

M3X5 THREADED  
INERTS X 4 (SCREWS  
NOT SUPPLIED)

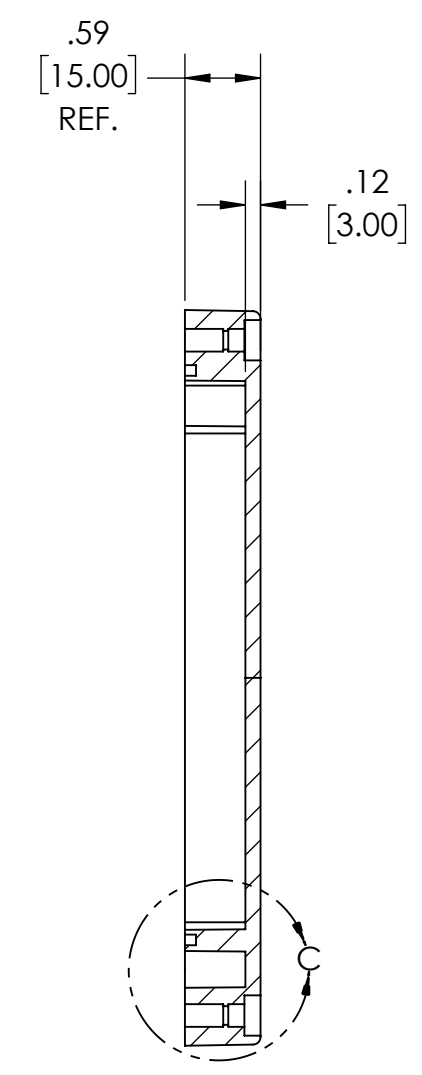


SECTION A-A  
SCALE 1 : 1.5

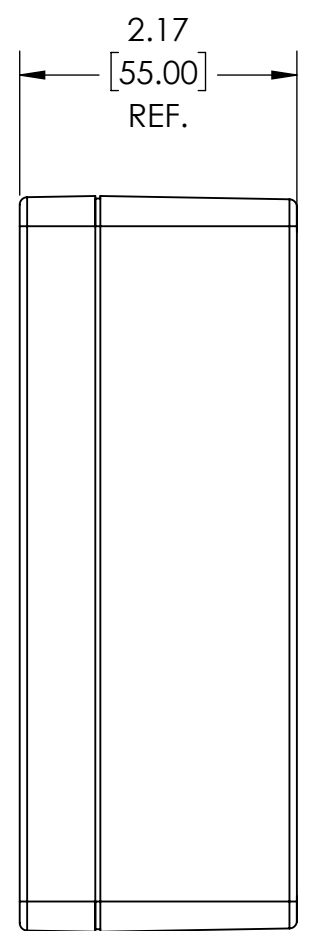
DETAIL C  
SCALE 4 : 1



COVER



SECTION B-B  
SCALE 1 : 1.5



**DRAWING FOR REFERENCE**  
WE RESERVE THE RIGHT TO MAKE CHANGES TO OUR  
STANDARD PRODUCTS. PLEASE CONSULT WITH BUD INDUSTRIES  
PRIOR TO USING THIS DRAWING FOR DESIGN PURPOSE.

## X-ON Electronics

Largest Supplier of Electrical and Electronic Components

*Click to view similar products for* [Enclosures for Industrial Automation](#) *category:*

*Click to view products by* [Bud Industries](#) *manufacturer:*

Other Similar products are found below :

[116-508](#) [130-008](#) [190-005](#) [2202307](#) [2901699](#) [2790318](#) [WM011RI,BK](#) [WM052I,GY](#) [WM093RI,BK](#) [5030266](#) [WM053R,BK](#) [WM032I,BK](#)  
[2909989](#) [120-908](#) [150-007](#) [790-207](#) [2200095](#) [111-012](#) [127-408](#) [802-407](#) [115-401](#) [795-001](#) [790-211](#) [733-820](#) [BW67DBKCSYL](#)  
[CX68DBKANG](#) [CXL68DBKAYL](#) [CXL65DBKANG](#) [BW68DBKCSBL](#) [DPH-28714-C](#) [135-007](#) [721-032](#) [1103440](#) [1037322](#) [1167159](#)  
[1158978](#) [1158981](#) [1158982](#) [2202667](#) [1017444](#) [BWA-AH664](#) [100-403-91](#) [100-405-01](#) [101-003-91](#) [101-004-91](#) [101-506-01](#) [WM012I,GY](#)  
[WM013I,AL](#) [WM052RI,GY](#) [WM093RI,GY](#)