

PART NAME

PLASTIBOX (STYLE A)

PART No.

PT-11338 & PS-11339

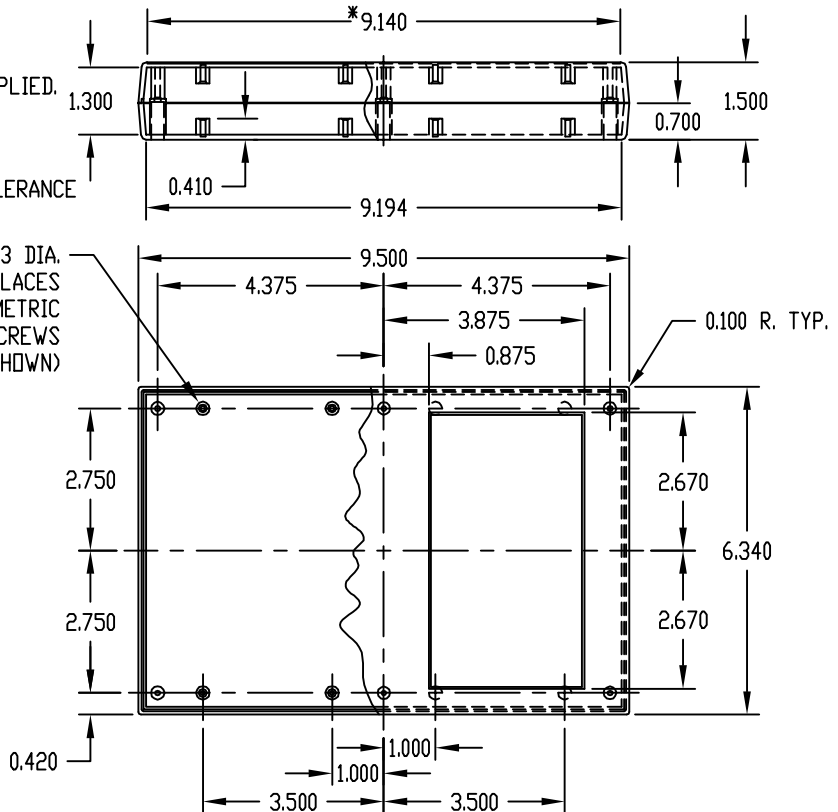
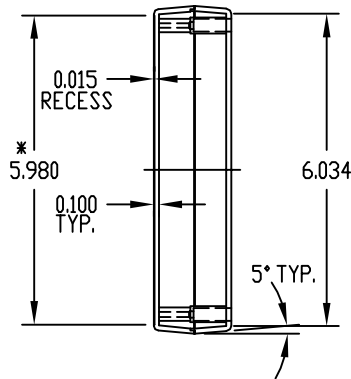
MATERIAL: HIGH-IMPACT ABS
COLOR: BLACK OR GRAY

FINISH: PREFIX PS - TEXTURED BODY WITH SMOOTH TOP INSERT.
PREFIX PT - TEXTURED BODY WITH TEXTURED TOP.

SIX (6) #4 x 0.375' LG. SCREWS SUPPLIED FOR ASSEMBLING TOP.
FOUR (4) NON-SKID PUSH-ON FEET SUPPLIED.
*-USABLE AREA ON COVER ALSO AVAILABLE FOR CUSTOM MOLDING.

NOTE: ALL DIMENSIONS HAVE ±0.015 TOLERANCE UNLESS OTHERWISE SPECIFIED.

0.260 DIA. BOSS WITH 0.093 DIA. HOLE x 0.310 DEEP (16) PLACES MOUNTING BOSSES USE EITHER M2.5 METRIC OR #4 STD. SHEET METAL SCREWS x 0.250' LG. (NOT SHOWN)



PART NAME

PLASTIBOX (STYLE B)

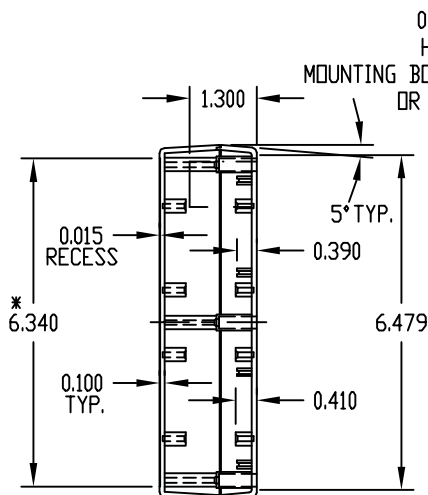
PART No.

PSS-11350 & PNS-11351

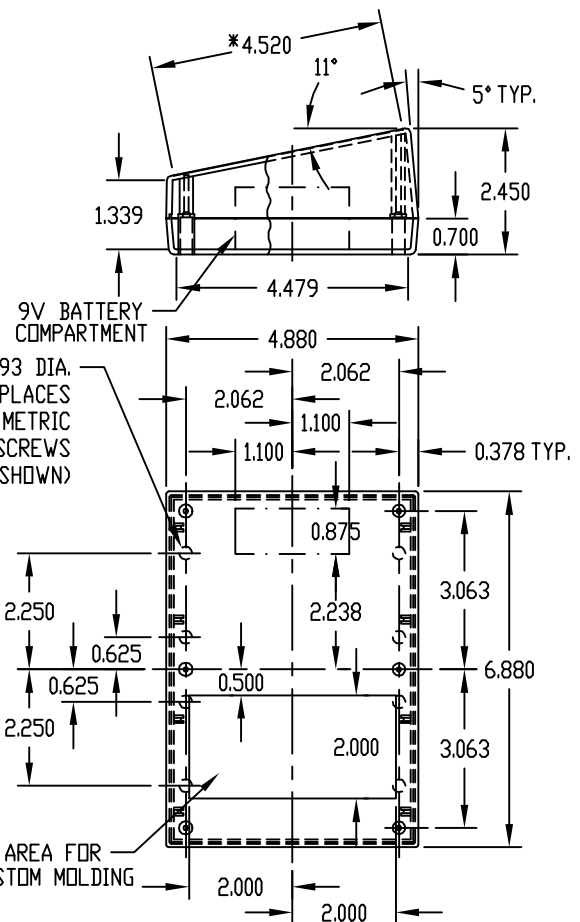
MATERIAL: HIGH-IMPACT ABS
COLOR: BLACK OR GRAY

FINISH: PREFIX PSS- TEXTURED BODY WITH SMOOTH TOP AND END INSERTS.
PREFIX PNS- TEXTURED BODY WITH SMOOTH TOP AND END INSERTS AND 9V BATTERY COMPARTMENT.

SIX (6) #4 x 0.375' LG. SCREWS SUPPLIED FOR ASSEMBLING TOP.
FOUR (4) NON-SKID PUSH-ON FEET SUPPLIED.
*-USABLE AREA ON COVER ALSO AVAILABLE FOR CUSTOM MOLDING.



0.260 DIA. BOSS WITH 0.093 DIA. HOLE x 0.310 DEEP (16) PLACES MOUNTING BOSSES USE EITHER M2.5 METRIC OR #4 STD. SHEET METAL SCREWS x 0.250' LG. (NOT SHOWN)



NOTE: ALL DIMENSIONS HAVE ±0.015 TOLERANCE UNLESS OTHERWISE SPECIFIED.

X-ON Electronics

Largest Supplier of Electrical and Electronic Components

Click to view similar products for [Enclosures, Boxes & Cases](#) *category:*

Click to view products by [Bud Industries](#) *manufacturer:*

Other Similar products are found below :

[585-R-WH-PK](#) [M-10-PLATED](#) [60221-01](#) [60566-01-000](#) [HPL-9VB BATT DOOR](#) [M18-PLTD](#) [M-21-PLATED](#) [63310-01-000](#) [6711GSKT](#)
[71884-29-028](#) [LH45-100 Black](#) [72868-510-000](#) [CNS-0000 Black](#) [72883-510-000](#) [CNS-0101 Black](#) [72906-510-000](#) [CNS-0407 Black](#) [73092-](#)
[510-000](#) [CNM-0101 Black](#) [73105-510-000](#) [CNL-0101 Black](#) [73108-510-000](#) [CNL-0303 Black](#) [73395-510-039](#) [CNS-0006 Bone](#) [74016-510-000](#)
[CNL-0006 Black](#) [74257-510-000](#) [CNL-0004](#) [MDC-1183-PLAIN-ALUM](#) [MDC-1183-PTD](#) [MDC-13104-PTD](#) [MDC-321-PTD](#) [MDC-973-PTD](#)
[76](#) [77153-01-028](#) [FLX6030](#) [83535-01-508](#) [90026-501-000](#) [PS36-200](#) [116-508](#) [120-407](#) [120-910](#) [127-908](#) [130-008](#) [1301170079](#)
[1322GSKTEP](#) [1325GSKT3](#) [138-PLAIN](#) [1434-1210](#) [EAS-500 \(BLACK ANO\)](#) [1804RP-RB-PK](#) [190-005](#) [2202307](#) [KAB3321 BLACK](#)
[KAB3421](#) [2697466](#) [S52213](#) [2901123](#) [2901699](#) [A0645271](#) [A20P20](#)