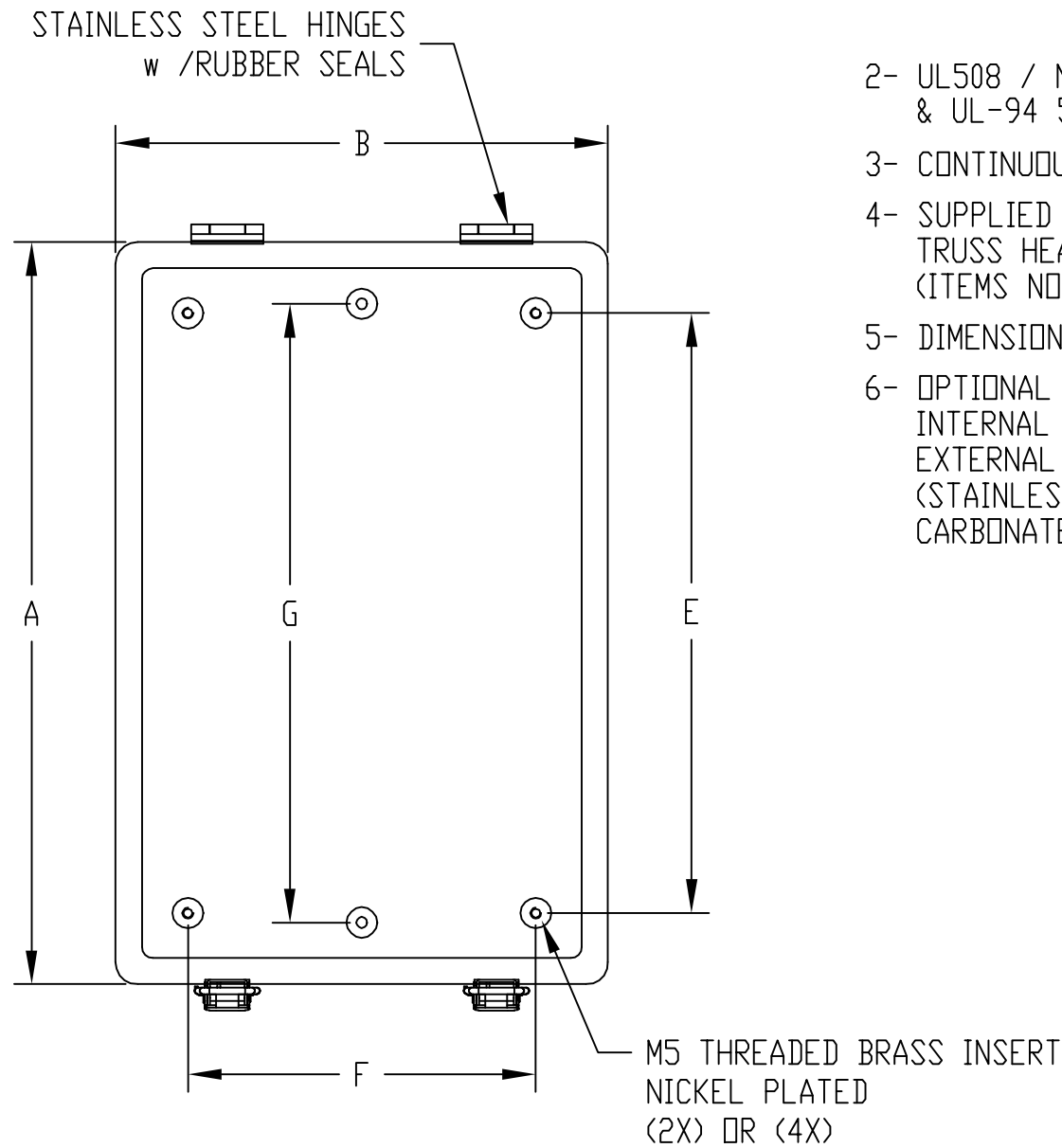


BUD	PART NAME	PTH SERIES NEMA 4X PLASTIC BOX LANDSCAPE ORIENTATION (HINGED ON SHORT SIDE)	PART No.	PTH-22706-L THRU PTH-22706-LC	PTH-22780-L THRU PTH-22780-LC	REV. DATE	12-1-17

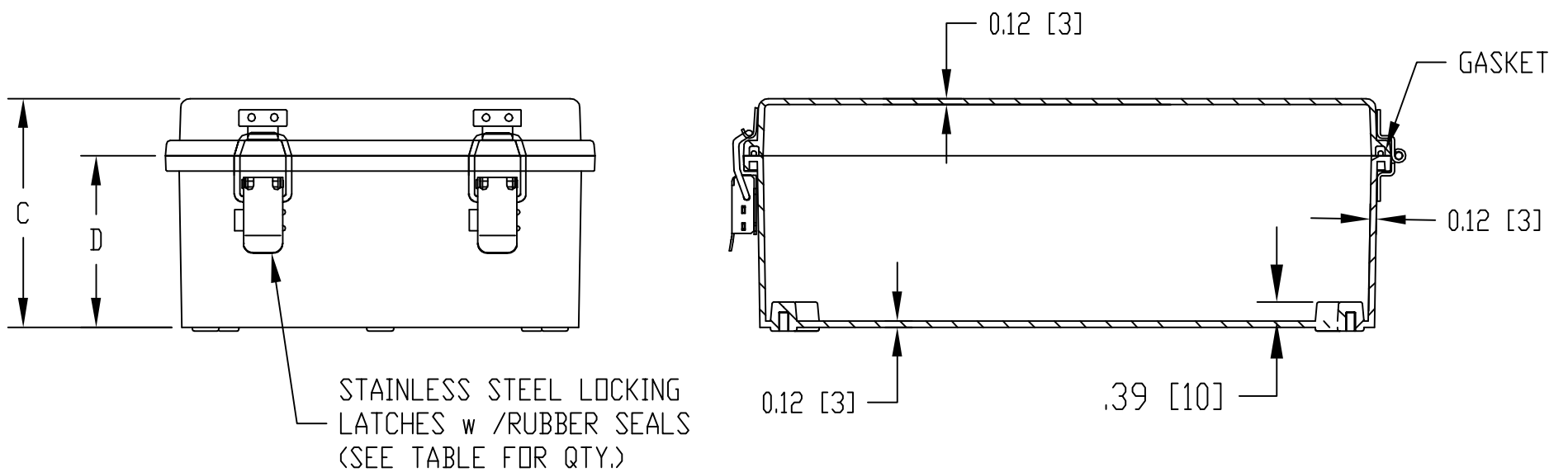
DRAWING FOR REFERENCE
 WE RESERVE THE RIGHT TO MAKE CHANGES TO OUR
 STANDARD PRODUCTS. PLEASE CONSULT WITH BUD INDUSTRIES
 PRIOR TO USING THIS DRAWING FOR DESIGN PURPOSE.

NOTES:

- 1- MATERIAL: BODY - GRAY POLYCARBONATE RESIN
10% GLASS FIBER FILLED
COVER - GRAY POLYCARBONATE OR
CLEAR (-C SUFFIX) POLY-
CARBONATE
- 2- UL508 / NEMA TYPE 4X WITH IP-67 TUV RATING
& UL-94 5VA
- 3- CONTINUOUS Poured NEOPRENE GASKET IN COVER
- 4- SUPPLIED WITH TWO OR FOUR M5 x 8mm LG.
TRUSS HEAD ZINC PLATED STEEL SCREWS
(ITEMS NOT SHOWN)
- 5- DIMENSIONS ARE INCH [MM]
- 6- OPTIONAL ACCESSORIES NOT INCLUDED:
INTERNAL MOUNTING PLATES 16 GA. STEEL OR ABS
EXTERNAL MOUNTING BRACKETS NBX-10922
(STAINLESS STEEL) OR PIX-4117 (GRAY POLY-
CARBONATE RESIN 10% GLASS FIBER FILLED)



INSIDE VIEW OF BODY
COVER NOT SHOWN



PART NO.		DIMENSIONS							LATCH QTY.
		A	B	C	D	E	F	G	
PTH-22706-L	PTH-22706-LC	9.84 [250]	5.91 [150]	5.12 [130]	3.15 [80]	---	---	8.27 [210]	2
PTH-22730-L	PTH-22730-LC	15.75 [400]	11.81 [300]	5.91 [150]	4.72 [120]	13.26 [337]	9.06 [230]	13.25 [336]	2
PTH-22746-L	PTH-22746-LC	14.96 [380]	7.48 [190]	5.04 [128]	3.86 [98]	4.72 [120]	12.20 [310]	---	2
PTH-22758-L	PTH-22758-LC	22.05 [560]	11.02 [280]	5.12 [130]	3.94 [100]	19.76 [502]	8.27 [210]	---	2
PTH-22760-L	PTH-22760-LC	16.93 [430]	13.00 [330]	7.09 [180]	5.91 [150]	14.17 [360]	10.22 [260]	14.75 [375]	2
PTH-22762-L	PTH-22762-LC	22.05 [560]	14.96 [380]	7.09 [180]	5.83 [148]	12.20 [310]	19.29 [490]	---	2
PTH-22780-L	PTH-22780-LC	9.84 [250]	3.15 [80]	3.35 [85]	1.97 [50]	7.87 [200]	1.59 [40]	8.65 [220]	1

X-ON Electronics

Largest Supplier of Electrical and Electronic Components

Click to view similar products for [Electrical Enclosures](#) category:

Click to view products by [Bud Industries](#) manufacturer:

Other Similar products are found below :

[MR-25L+](#) [1584DMGPK](#) [30-8739](#) [PIP-11774SCREW](#) [30-9715](#) [30-9777-BU](#) [110-402](#) [A242012LP](#) [A16N12BLP](#) [111-005](#) [9511096](#) [9511016](#)
[9822011](#) [CAB PC 203018 G](#) [NSYTLEU](#) [PC 30/25-FC3](#) [9820006](#) [1010.600](#) [1012.600](#) [AR242410CHSSL](#) [120-404](#) [127-406](#) [127-906](#)
[79021101](#) [EKIV 17](#) [EKIV 37](#) [18200101](#) [18600801](#) [19501001](#) [19600901](#) [TRH 24](#) [A317SEAL](#) [A3735SEAL](#) [HV 60 MW](#) [X16C LGR-TR](#)
[X25C LGR-TR](#) [T 160 OE HD LGR](#) [T 350 OE HD LGR](#) [T 60 M20](#) [T 60 M20 NL](#) [SDB 03 PS](#) [SDB 09 PS](#) [P2018SEAL](#) [EN1309N4](#)
[EN1511N4LATCH](#) [GSV171](#) [2762-00](#) [2763-00](#) [2765-00](#) [2761-00](#)