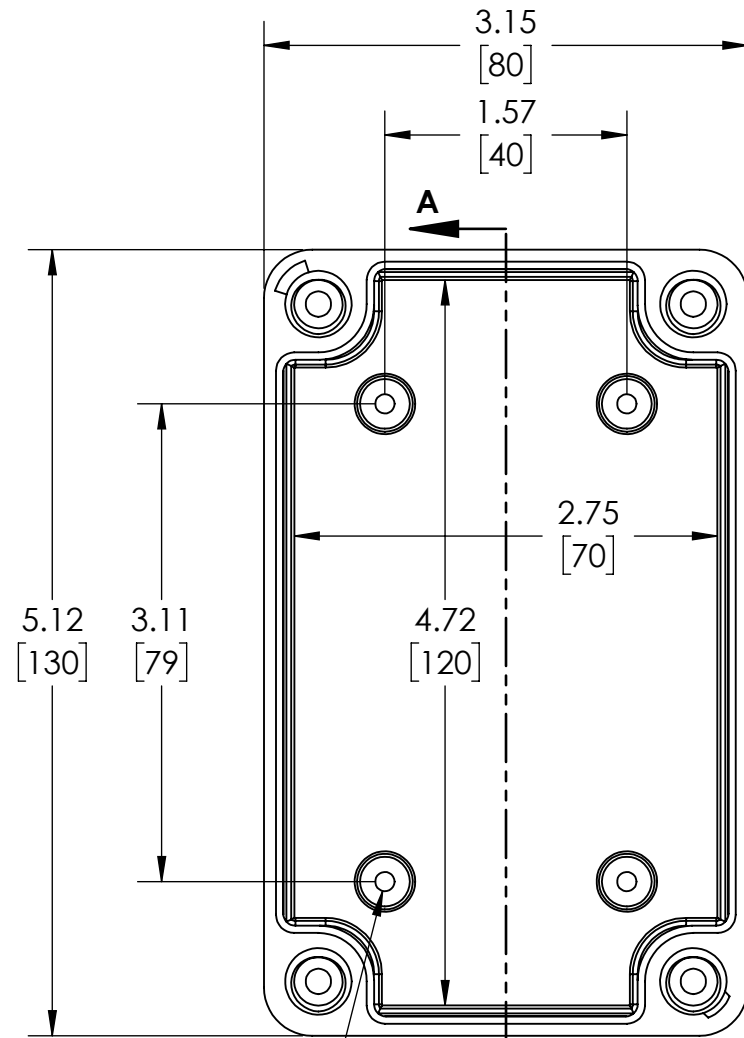
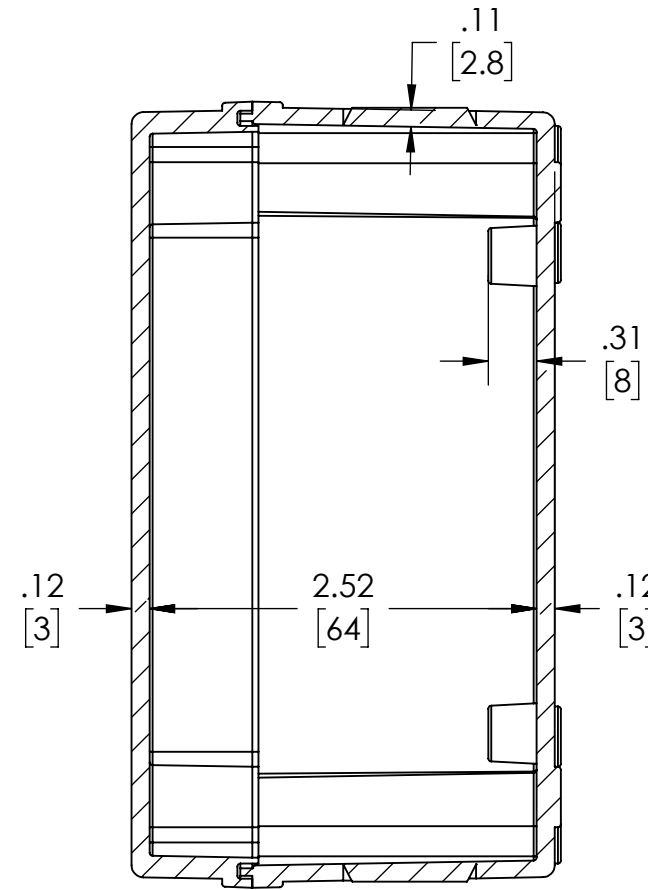


DRAWING FOR REFERENCE
 WE RESERVE THE RIGHT TO MAKE CHANGES TO OUR
 STANDARD PRODUCTS. PLEASE CONSULT WITH BUD INDUSTRIES
 PRIOR TO USING THIS DRAWING FOR DESIGN PURPOSE.

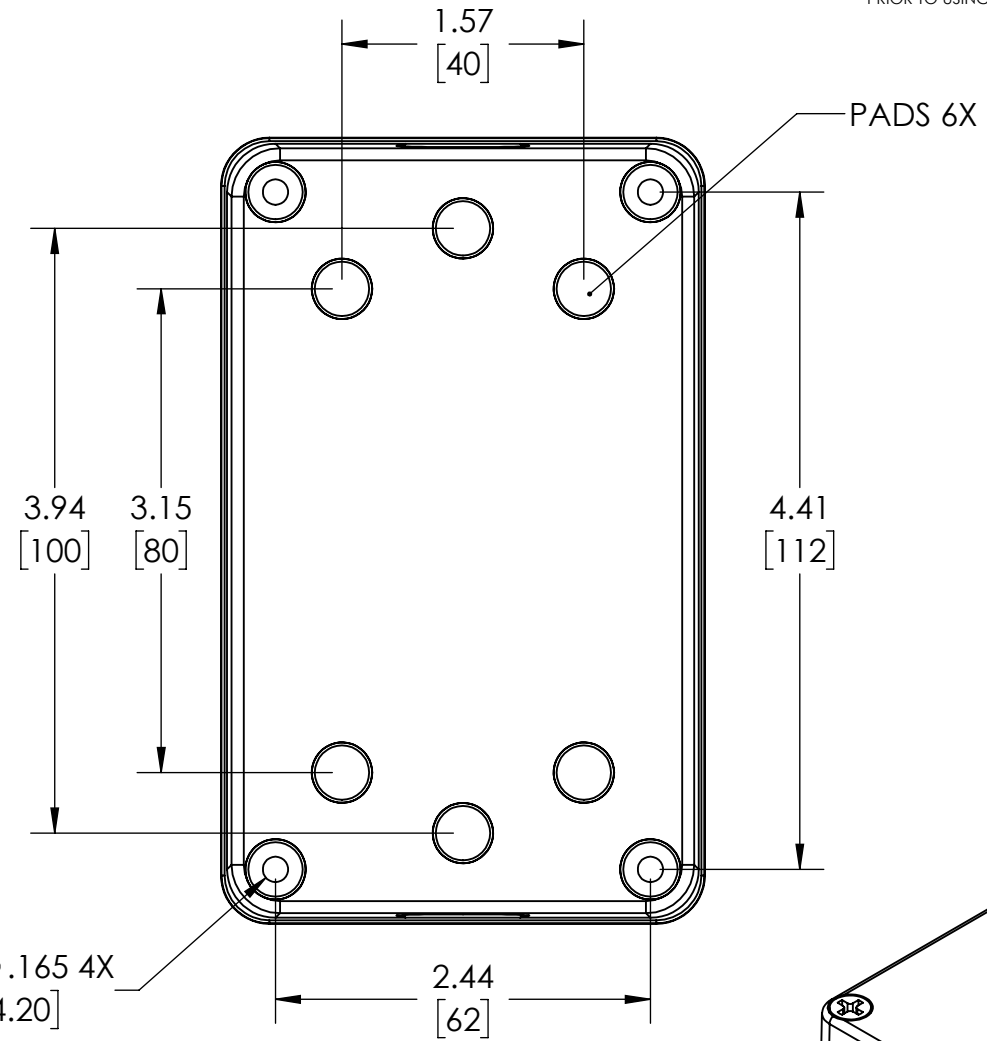


Ø.126 4X
 [3.20]
 X 0.24 [6.1] DEEP

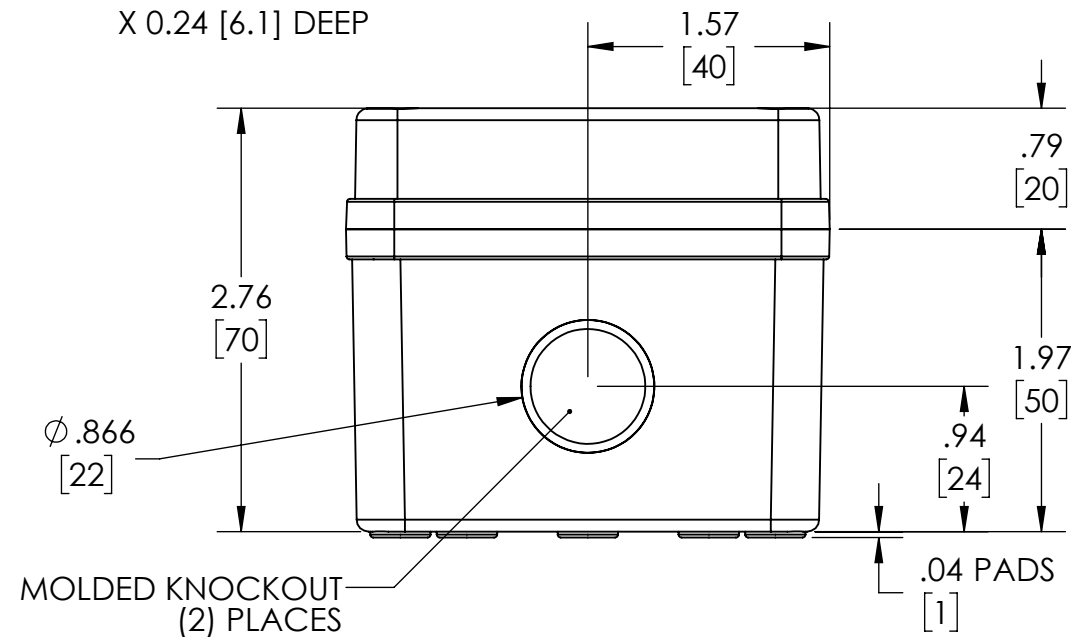
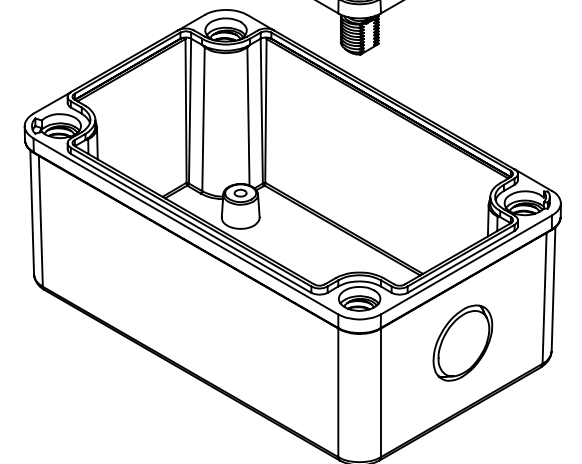
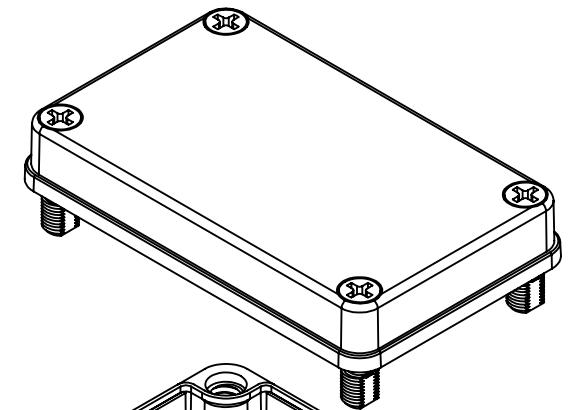
COVER NOT SHOWN



SECTION A-A



PADS 6X



MOLDED KNOCKOUT
 (2) PLACES

.04 PADS
 [1]

NOTES:

- 1- MATERIAL: BODY - GRAY POLYCARBONATE RESIN 10% GLASS FIBER FILLED
 COVER - GRAY OR CLEAR (-C SUFFIX) POLYCARBONATE
- 2- UL508 / NEMA TYPE 4X & TYPE 6 WITH IP-67 TUV RATING & UL-94 5VA
- 3- CONTINUOUS Poured FOAM GASKET IN COVER
- 4- COVER ATTACHES WITH NON-METALLIC CAPTIVE SCREWS
- 5- INTERNAL BOSSES WILL ACCEPT M4x0.7 x 6mm LG. THREAD FORMING
 SCREWS FOR ATTACHING AN INTERNAL PANEL OR PCB (NOT SUPPLIED)
- 6 - DIMENSIONS ARE INCH [MM]

OPTIONAL ACCESSORIES:

- INTERNAL STEEL PANEL #
- MOUNTING BRACKET KIT (STAINLESS STEEL) - #NBX-10922
- MOUNTING BRACKET KIT (PLASTIC) #PIX-4117

X-ON Electronics

Largest Supplier of Electrical and Electronic Components

Click to view similar products for [Electrical Enclosures](#) category:

Click to view products by [Bud Industries](#) manufacturer:

Other Similar products are found below :

[MR-25L+](#) [1584DMGPK](#) [30-8739](#) [PIP-11774SCREW](#) [30-9715](#) [30-9777-BU](#) [110-402](#) [A242012LP](#) [A16N12BLP](#) [111-005](#) [9511096](#) [9511016](#)
[9822011](#) [CAB PC 203018 G](#) [NSYTLEU](#) [PC 30/25-FC3](#) [9820006](#) [1010.600](#) [1012.600](#) [AR242410CHSSL](#) [127-406](#) [127-906](#) [79021101](#)
[EKIV 17](#) [EKIV 37](#) [18200101](#) [18600801](#) [19501001](#) [19600901](#) [TRH 24](#) [A317SEAL](#) [A3735SEAL](#) [HV 60 MW](#) [X16C LGR-TR](#) [X25C LGR-](#)
[TR](#) [T 160 OE HD LGR](#) [T 350 OE HD LGR](#) [T 60 M20](#) [T 60 M20 NL](#) [SDB 03 PS](#) [SDB 09 PS](#) [P2018SEAL](#) [EN1309N4](#) [EN1511N4LATCH](#)
[GSV171](#) [2762-00](#) [2763-00](#) [2765-00](#) [2761-00](#) [00 070](#)