



PART NAME

NEMA 4X PLASTIC BOX (PTK SERIES)

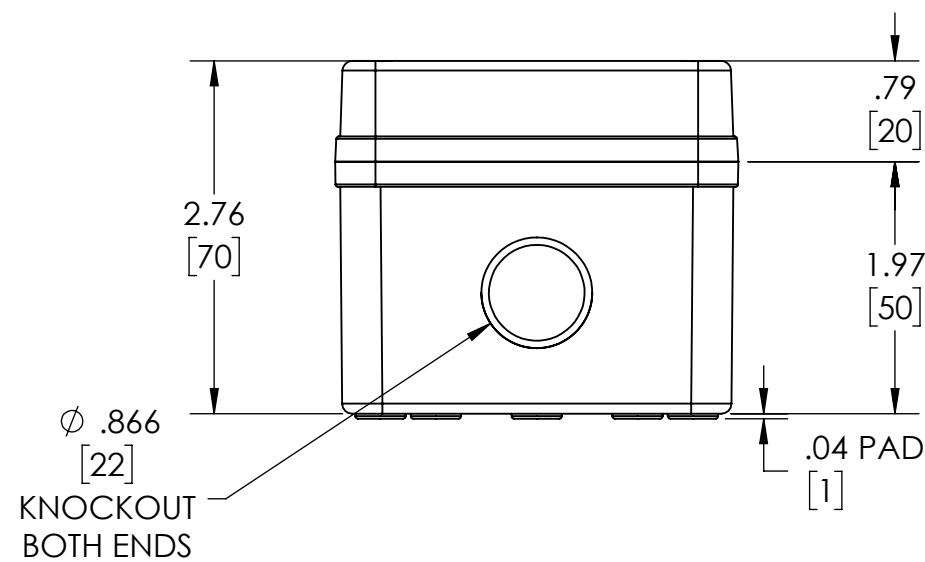
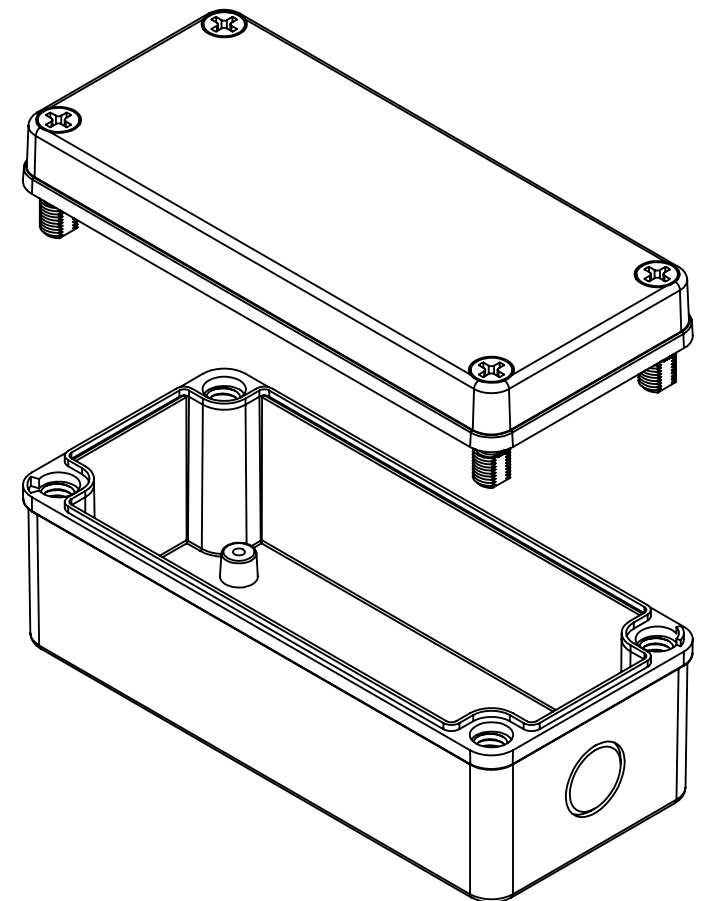
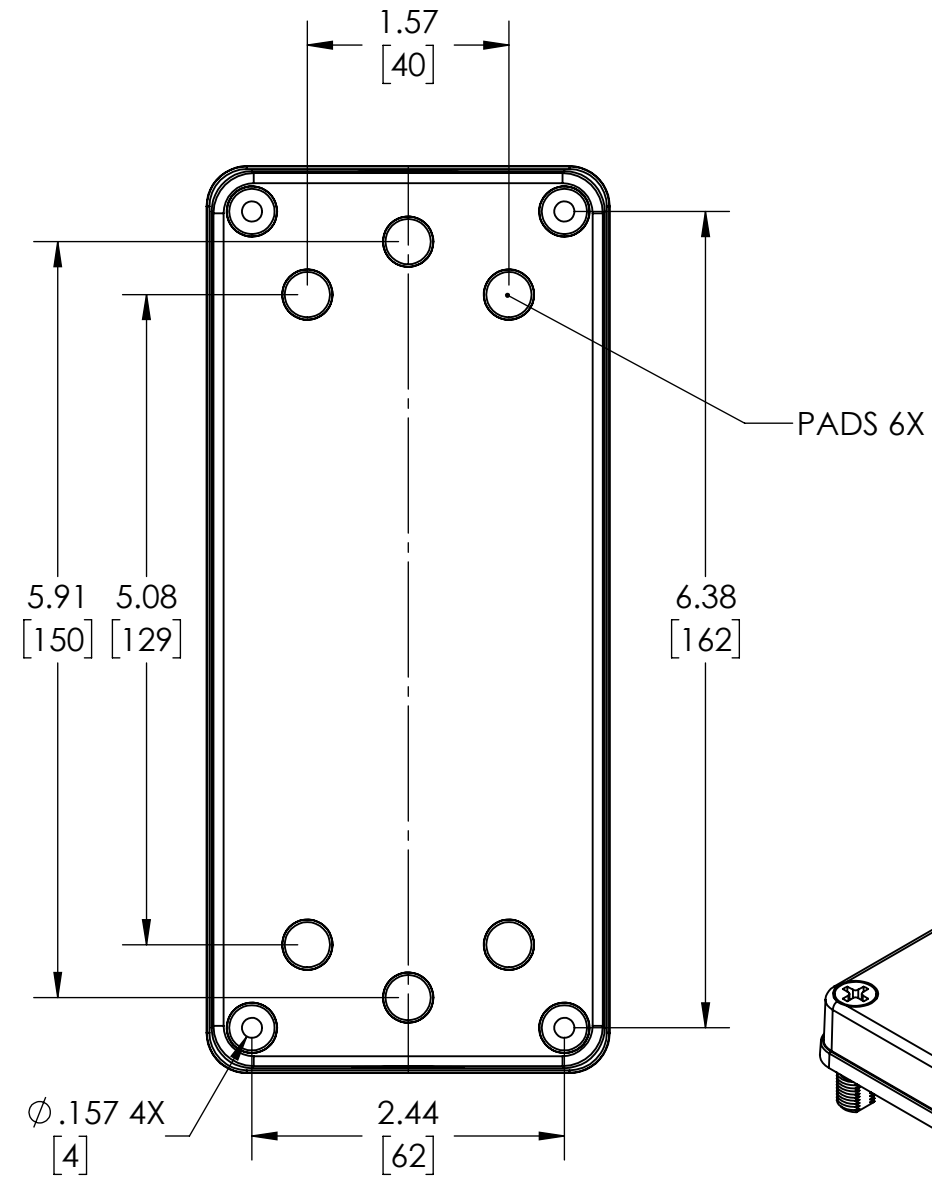
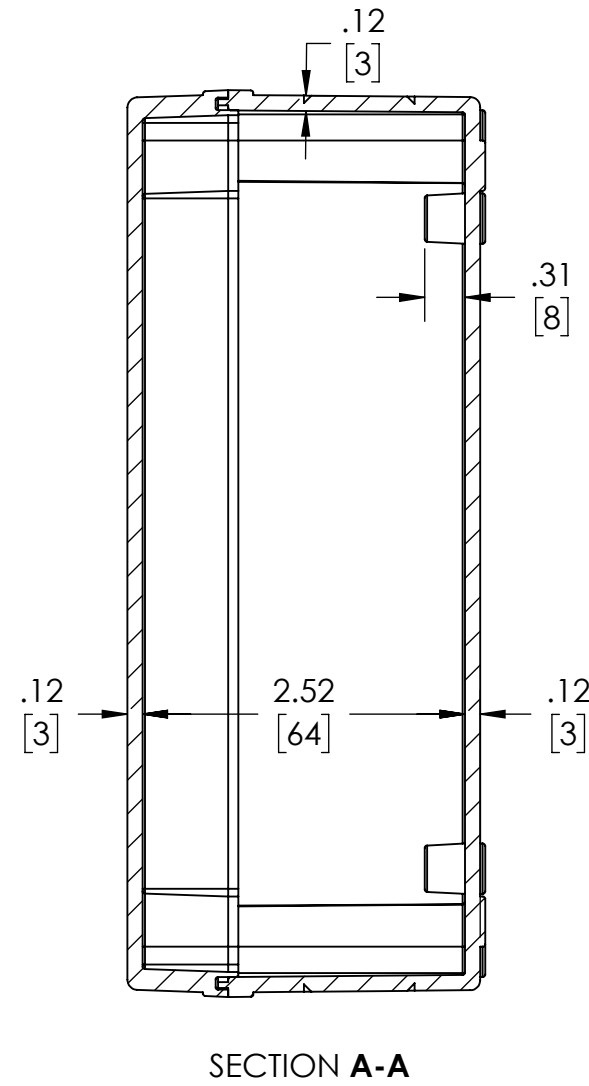
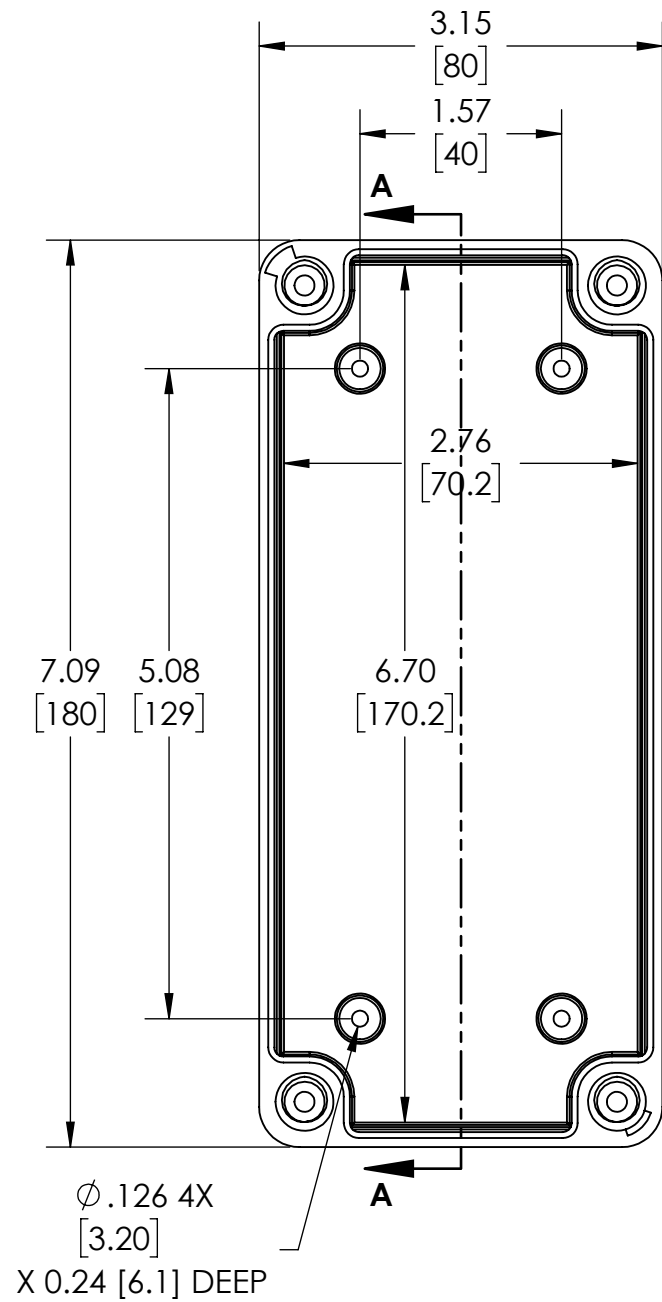
PART No.

PTK-18424 & PTK-18424-C

REVISION DATE

10-11-17

DRAWING FOR REFERENCE
WE RESERVE THE RIGHT TO MAKE CHANGES TO OUR STANDARD PRODUCTS. PLEASE CONSULT WITH BUD INDUSTRIES PRIOR TO USING THIS DRAWING FOR DESIGN PURPOSE.



NOTES:

- 1- MATERIAL: BODY - GRAY POLYCARBONATE RESIN 10% GLASS FIBER FILLED
COVER - GRAY OR CLEAR (-C SUFFIX) POLYCARBONATE
- 2- UL508 / NEMA TYPE 4X & TYPE 6 WITH IP-67 TUV RATING & UL-94 5VA
- 3- CONTINUOUS POURED FOAM GASKET IN COVER
- 4- COVER ATTACHES WITH NON-METALLIC CAPTIVE SCREWS
- 5- INTERNAL BOSSES WILL ACCEPT M4x0.7 x 6mm LG. THREAD FORMING SCREWS FOR ATTACHING AN INTERNAL PANEL OR PCB (NOT SUPPLIED)
- 6 - DIMENSIONS ARE INCH [MM]

OPTIONAL ACCESSORIES:

- INTERNAL STEEL PANEL #
- MOUNTING BRACKET KIT (STAINLESS STEEL) - #NBX-10922
- MOUNTING BRACKET KIT (PLASTIC) #PIX-4117

X-ON Electronics

Largest Supplier of Electrical and Electronic Components

Click to view similar products for [Electrical Enclosures](#) category:

Click to view products by [Bud Industries](#) manufacturer:

Other Similar products are found below :

[120-905](#) [120-909](#) [127-410](#) [130-004](#) [MR-25L+](#) [1584DMGPK](#) [30-8739](#) [PIP-11774SCREW](#) [30-9715](#) [30-9777-BU](#) [105-905](#) [110-902](#) [110-402](#)
[110-901](#) [111-002](#) [A242012LP](#) [A16N12BLP](#) [110-406](#) [110-401](#) [120-405](#) [106-009](#) [105-405](#) [111-005](#) [127-909](#) [106-502](#) [130-475](#) [130-503](#)
[127-455](#) [9511096](#) [9511016](#) [9822011](#) [CAB PC 203018 G](#) [NSYTLEU](#) [PC 30/25-FC3](#) [9820006](#) [1010.600](#) [AR242410CHSSL](#) [137-455](#) [105-](#)
[904](#) [120-404](#) [130-505](#) [127-406](#) [EKIV 17](#) [18200101](#) [18600801](#) [19501001](#) [19600901](#) [A317SEAL](#) [A3735SEAL](#) [HV 60 MW](#)