

PART NAME

SWIVEL CASTER WITH BRAKE

PART No.

RC-7761

LOAD RATING: 240 LBS.

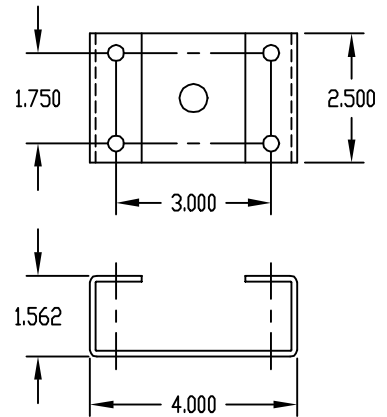
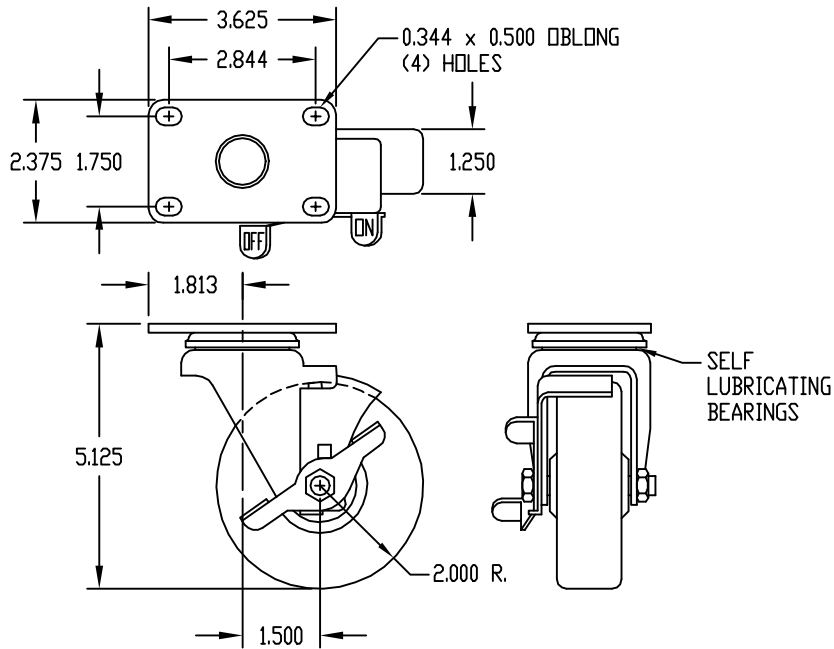
WHEEL MATERIAL: HARD TREAD RUBBER

CASTERS ARE PACKAGED IN PAIRS.

MOUNTING BRACKET

MATERIAL: 12 GA. STEEL

FINISH: FLAT BLACK SMOOTH



SWIVEL RADIUS: 3.500

CASTERS WILL RAISE SERIES-60 & -2000 CABINET RACKS BY 4.000 INCHES AND RAISE ECONDMIZER CABINET RACKS BY 4.125 INCHES.

PART NAME

SWIVEL CASTER

PART No.

RC-7762

LOAD RATING: 240 LBS.

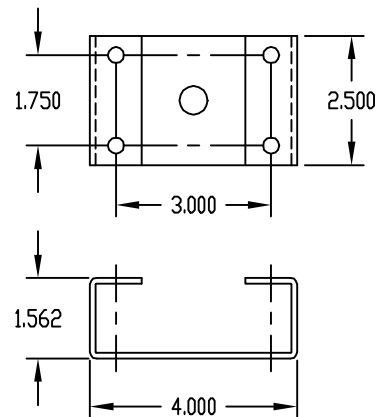
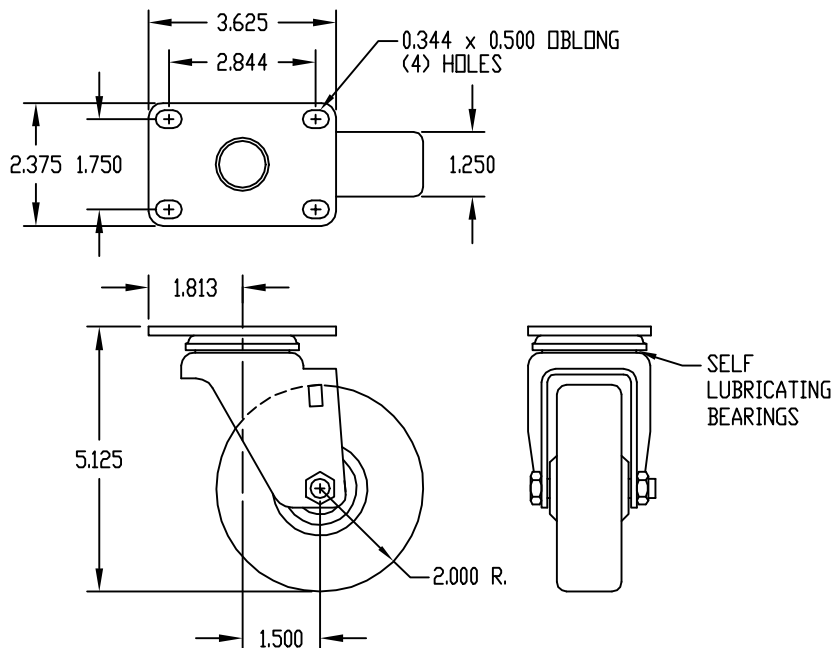
WHEEL MATERIAL: HARD TREAD RUBBER

CASTERS ARE PACKAGED IN PAIRS.

MOUNTING BRACKET

MATERIAL: 12 GA. STEEL

FINISH: FLAT BLACK SMOOTH



SWIVEL RADIUS: 3.500

CASTERS WILL RAISE SERIES-60 & -2000 CABINET RACKS BY 4.000 INCHES AND RAISE ECONDMIZER CABINET RACKS BY 4.125 INCHES.

X-ON Electronics

Largest Supplier of Electrical and Electronic Components

Click to view similar products for [Racks & Rack Cabinet Accessories](#) category:

Click to view products by [Bud Industries](#) manufacturer:

Other Similar products are found below :

[M00-PLN](#) [F2424](#) [8351-832-A-24](#) [9104](#) [9105](#) [PLFF2000](#) [H-9163-B](#) [1427C3](#) [HTS10](#) [PC-79](#) [SC10-3A](#) [SC4-28](#) [CG3-340S/12](#) [CP-001BK](#)
[M6123-4007-SS](#) [TS170](#) [LP40](#) [5261304-07](#) [CG3-160G](#) [7112C-PLN](#) [ALUM](#) [CM10](#) [8610-3124-S-26](#) [TS81](#) [7142](#) [GP134](#) [M6125-4007-A-24](#)
[M6127-4007-SS](#) [PBCOVER](#) [512](#) [AEG-4000G](#) [AEG-3000G](#) [HD99](#) [SR2-66A2](#) [FP10B4HP-1](#) [SR16-66A2](#) [FP52-2](#) [1406-1006-01](#) [29478](#)
[TS2535](#) [TS169-6](#) [CAC2](#) [HA19-3U](#) [BR-19-10-1](#) [TS180](#) [CG3-ESD](#) [SC11-1](#) [CFS-1.00/2.20](#) [HEC0800PB](#) [ZC633R](#) [140PLN](#)