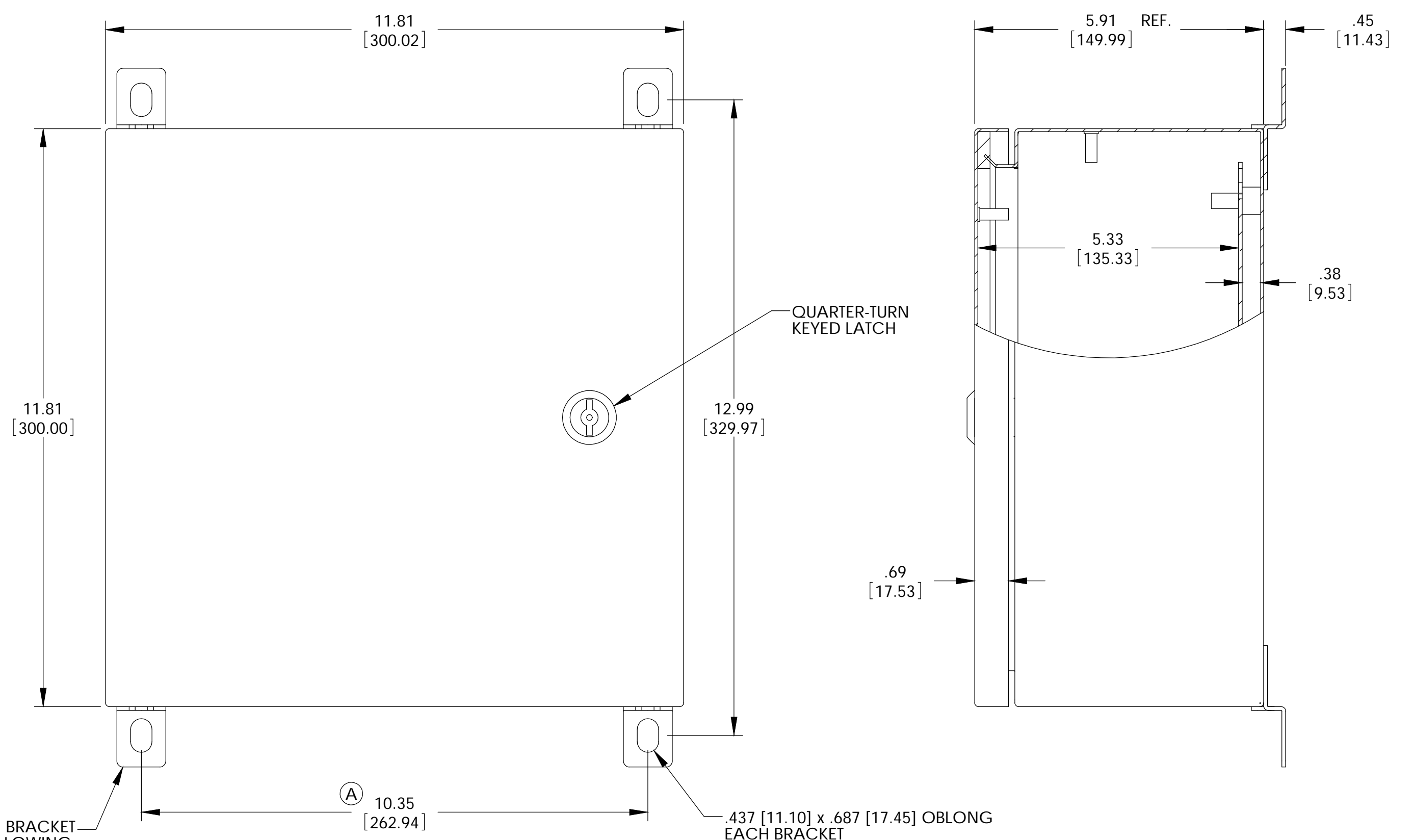


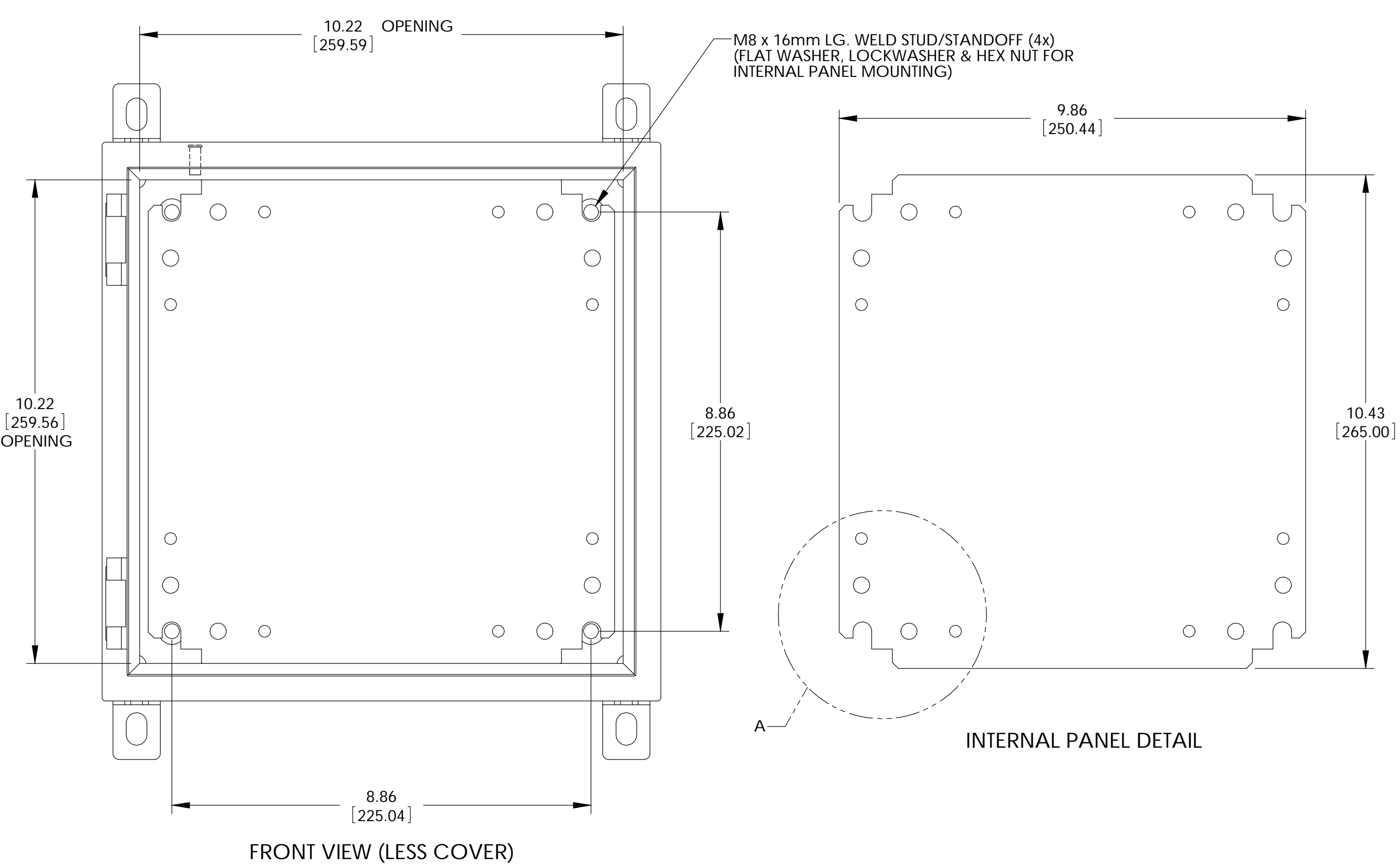
THE INFORMATION CONTAINED IN THIS DRAWING IS THE SOLE PROPERTY OF BUD INDUSTRIES INC. ANY REPRODUCTION IN PART OR WHOLE WITHOUT THE WRITTEN PERMISSION OF BUD INDUSTRIES INC. IS PROHIBITED.

DWG. NO.	SNB-3733
ISSUE	REVISIONS
(A)	PER ECN #10446 1-13-09 BT



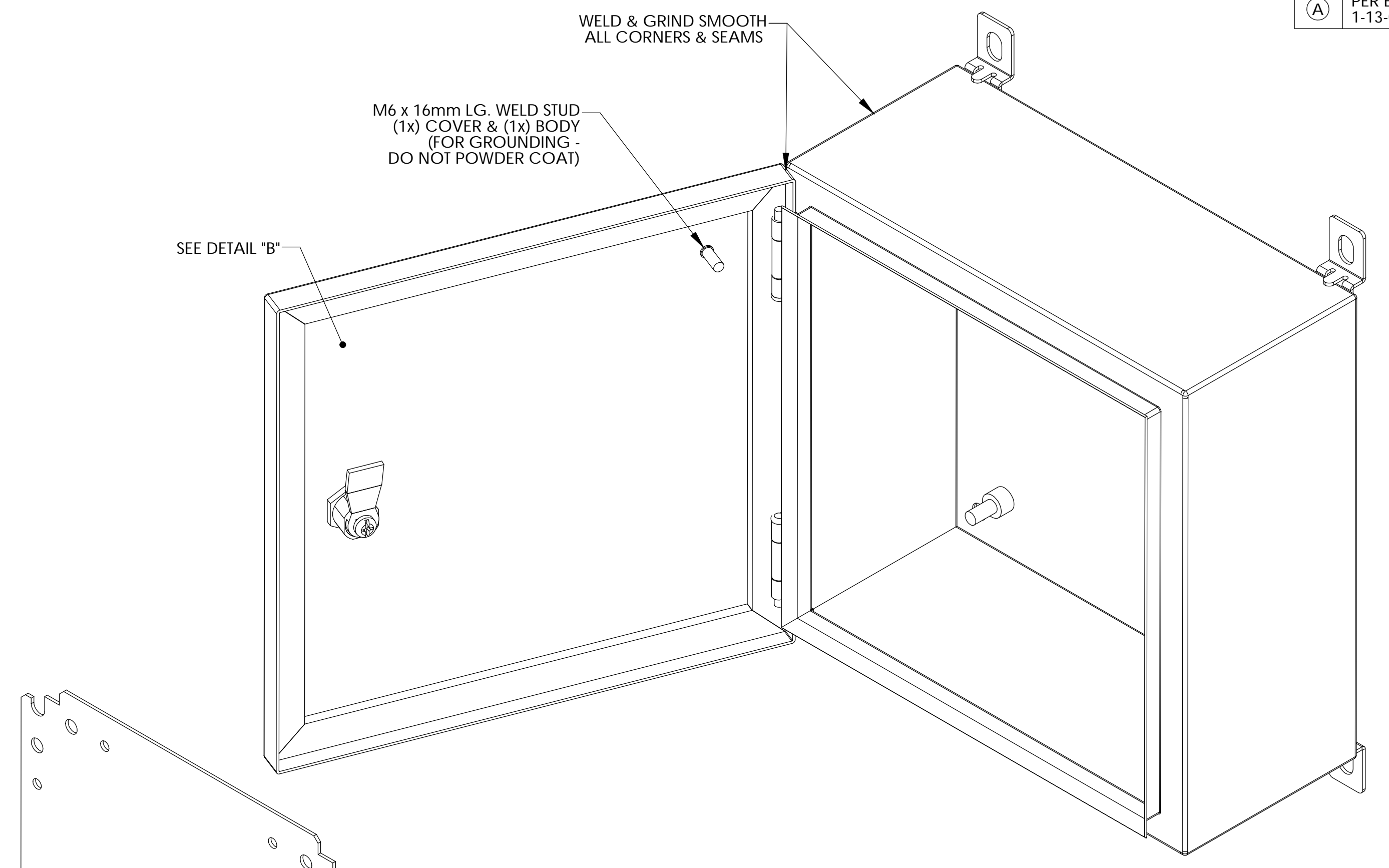
WALL MOUNTING BRACKET KIT TO CONTAIN THE FOLLOWING:
(4) BRACKETS, (4) BOLTS, (4) SEALING WASHERS, (4) FLAT WASHERS, (4) LOCKWASHERS & (4) HEX NUTS

(A) 10.35 [262.94] .437 [11.10] x .687 [17.45] OBLONG EACH BRACKET



FRONT VIEW (LESS COVER)

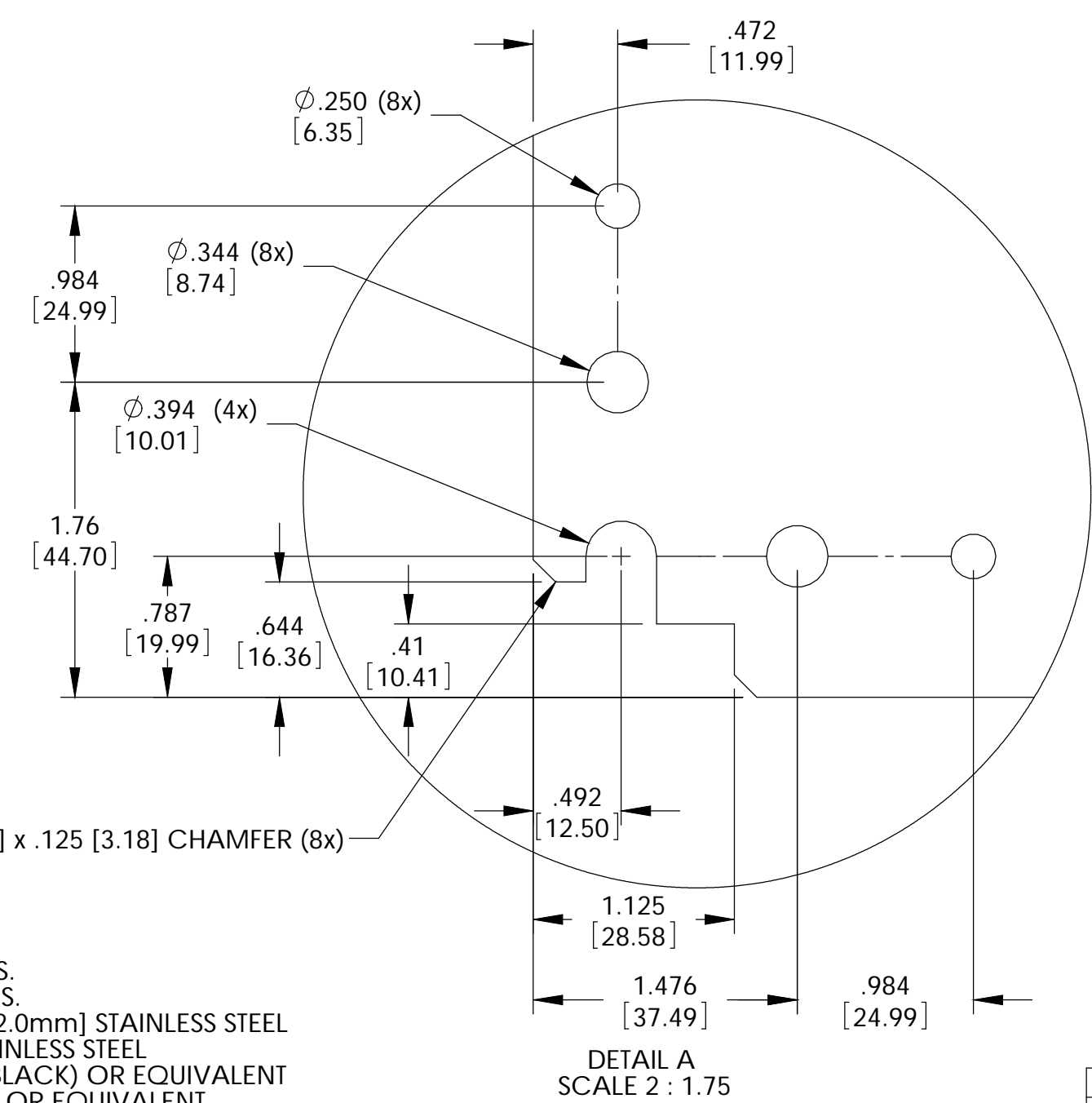
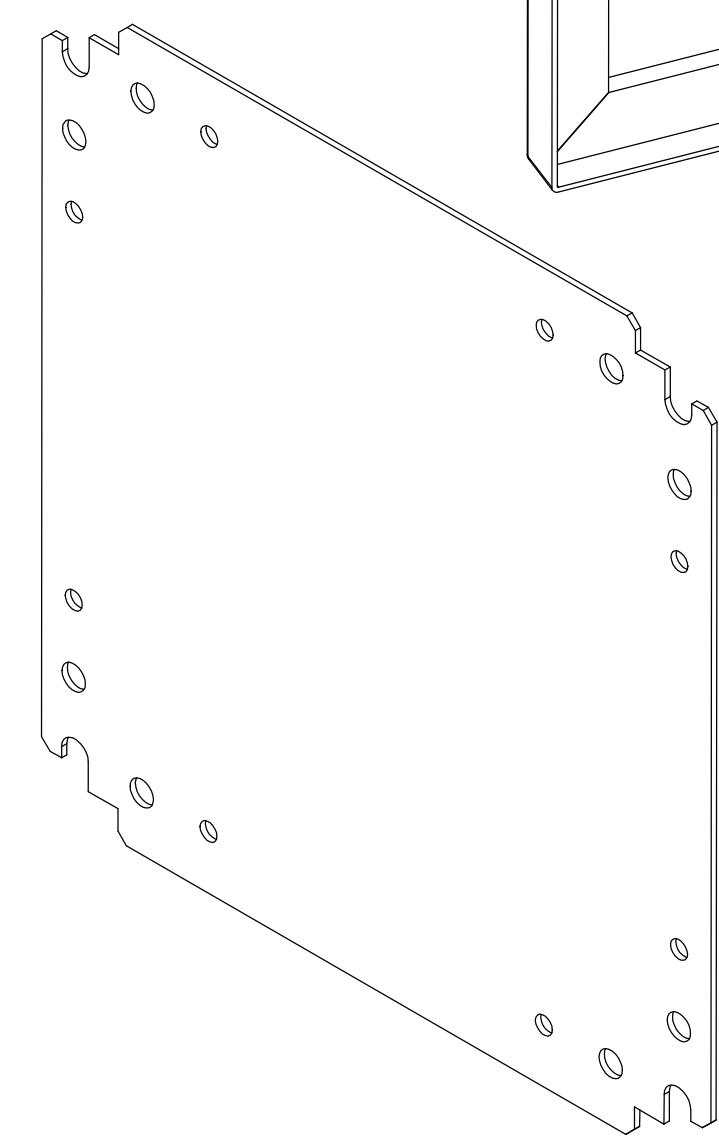
INTERNAL PANEL DETAIL



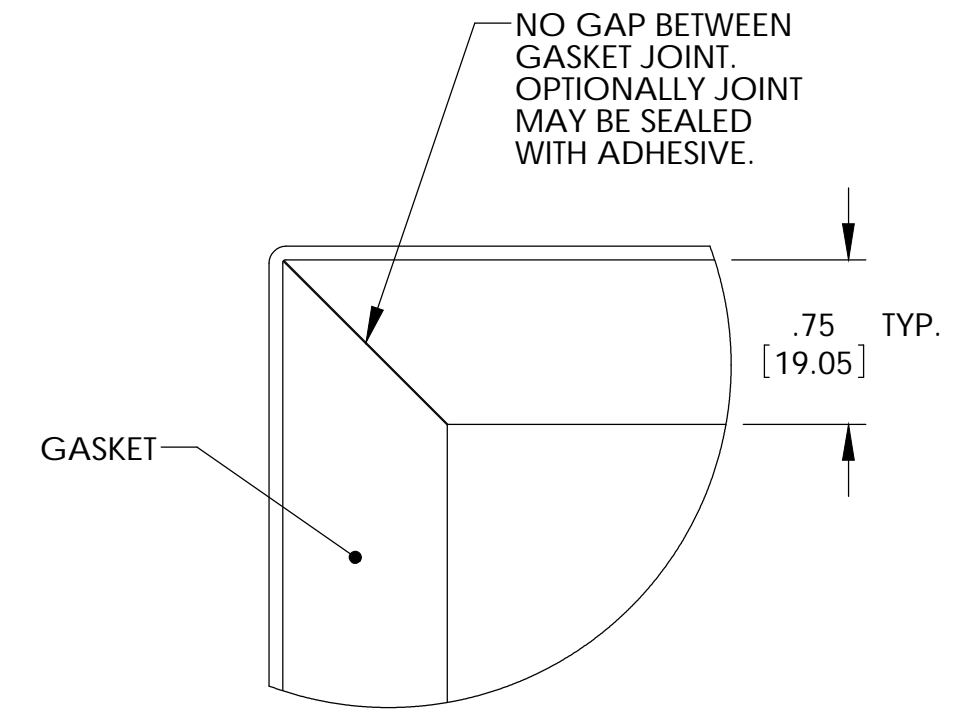
M6 x 16mm LG. WELD STUD (1x) COVER & (1x) BODY (FOR GROUNDING - DO NOT POWDER COAT)

SEE DETAIL 'B'

WELD & GRIND SMOOTH ALL CORNERS & SEAMS



DETAIL A SCALE 2 : 1.75



DETAIL B SCALE 2 : 1.75

MATERIAL:
BODY & COVER - 16 GA. [1.5mm] C.R.S.
INTERNAL PANEL - 14 GA. [2.0mm] C.R.S.
WALL MOUNTING BRACKETS - 14 GA. [2.0mm] STAINLESS STEEL
HINGE PINS, STRIKER & HARDWARE - STAINLESS STEEL
GASKET - .25 [6.35] THICK NEOPRENE (BLACK) OR EQUIVALENT
SEALING WASHERS - BLACK NEOPRENE OR EQUIVALENT

FINISH:
BODY & COVER - LIGHT GRAY SMOOTH POWDER COAT
INTERNAL PANEL - ZINC CHROMATE
MOUNTING BRACKETS, HINGE PINS, STRIKER - NATURAL

PARTS LIST		BUD INDUSTRIES INC.	
UNLESS OTHERWISE SPECIFIED ALL DIMENSIONS ARE IN INCHES (DIMENSIONS IN MILLIMETERS)		NEMA SHEET METAL BOX	
APPROVALS	DATE	DAB 9-21-07	
CHECKED	DATE	DAB 9-21-07	
AS NOTED		SIZE [DWG. NO.]	SNB-3733
AS NOTED		SCALE [CAD FILE]	SHEET 1 OF 1

X-ON Electronics

Largest Supplier of Electrical and Electronic Components

Click to view similar products for [Electrical Enclosures](#) category:

Click to view products by [Bud Industries](#) manufacturer:

Other Similar products are found below :

[120-401](#) [120-905](#) [120-909](#) [120-403](#) [130-004](#) [MR-25L+](#) [30-8739](#) [PIP-11774SCREW](#) [30-9715](#) [30-9777-BU](#) [105-905](#) [110-902](#) [110-901](#)
[A16N12BLP](#) [110-406](#) [110-401](#) [110-404](#) [120-405](#) [34861601](#) [106-009](#) [106-505](#) [105-405](#) [111-005](#) [127-909](#) [106-502](#) [130-503](#) [127-455](#)
[9511150](#) [9511017](#) [9820011](#) [NSYTDB5PL](#) [137-455](#) [130-001](#) [105-904](#) [120-404](#) [137-005](#) [130-505](#) [127-406](#) [AB 1,5.0](#) [AB2.0](#) [ABM.0](#)
[73345601](#) [F-MP](#) [H-MP](#) [M-MP](#) [PAT 12040](#) [2461000](#) [9121230](#) [79541301](#) [19001001](#)