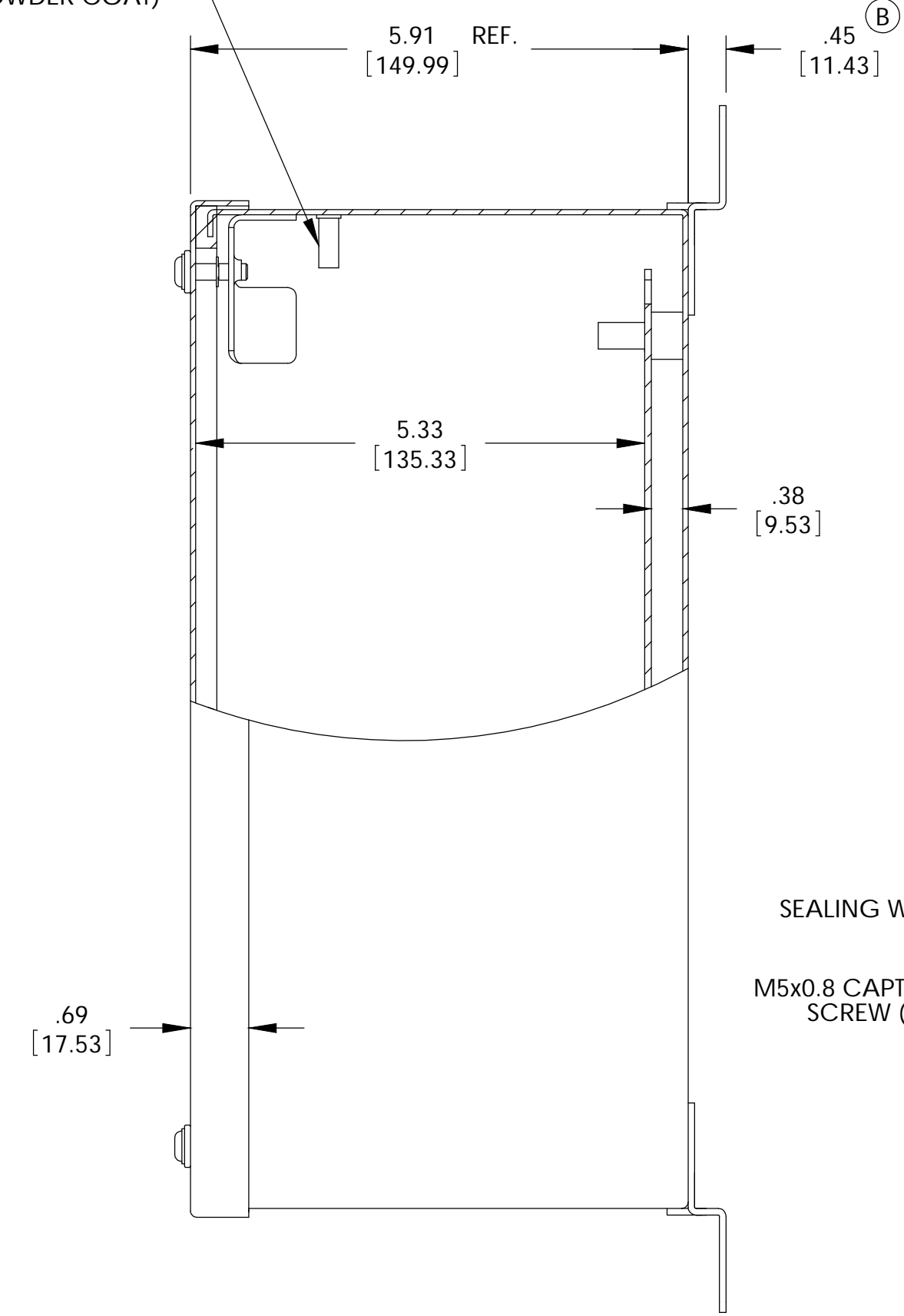
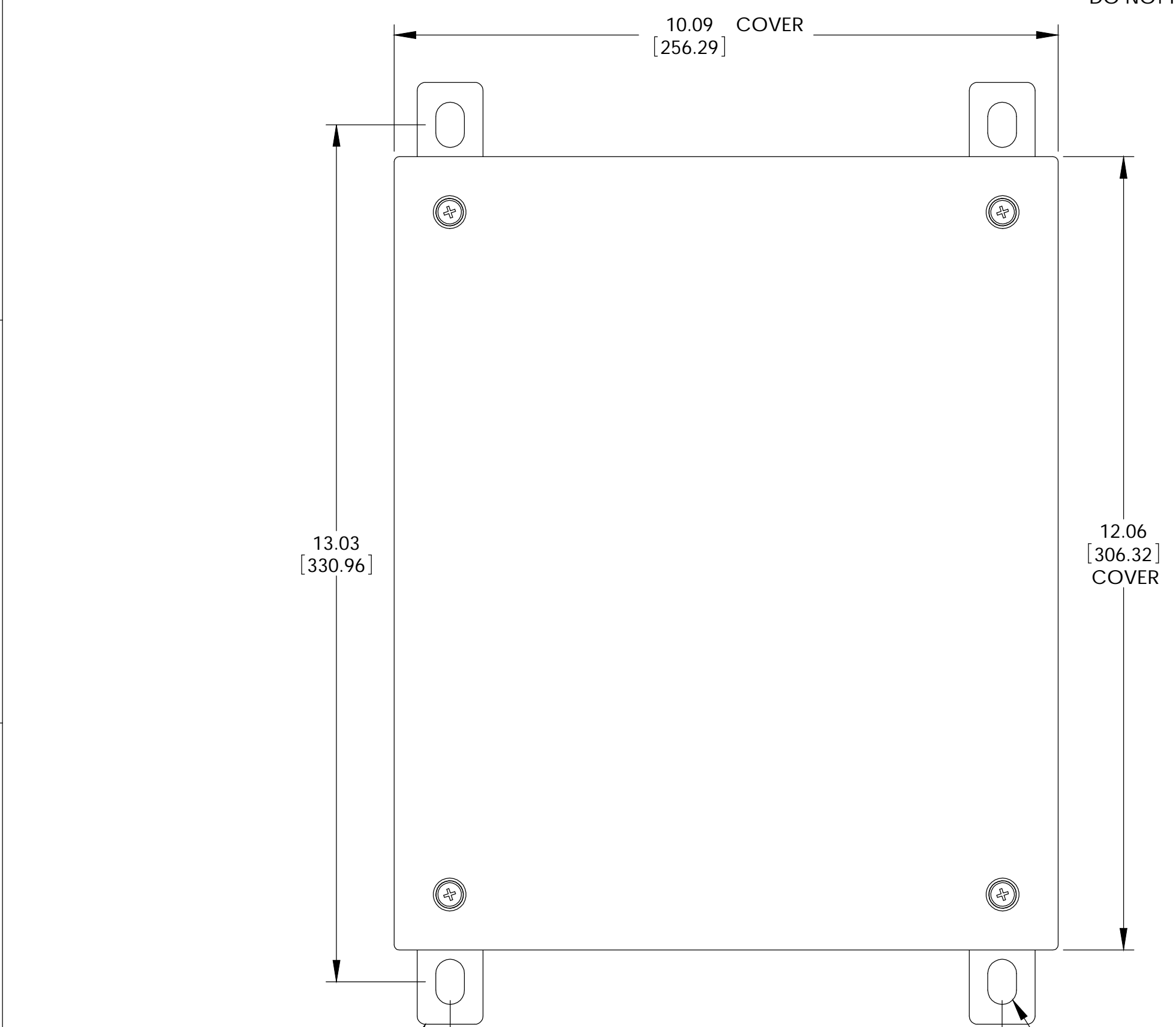


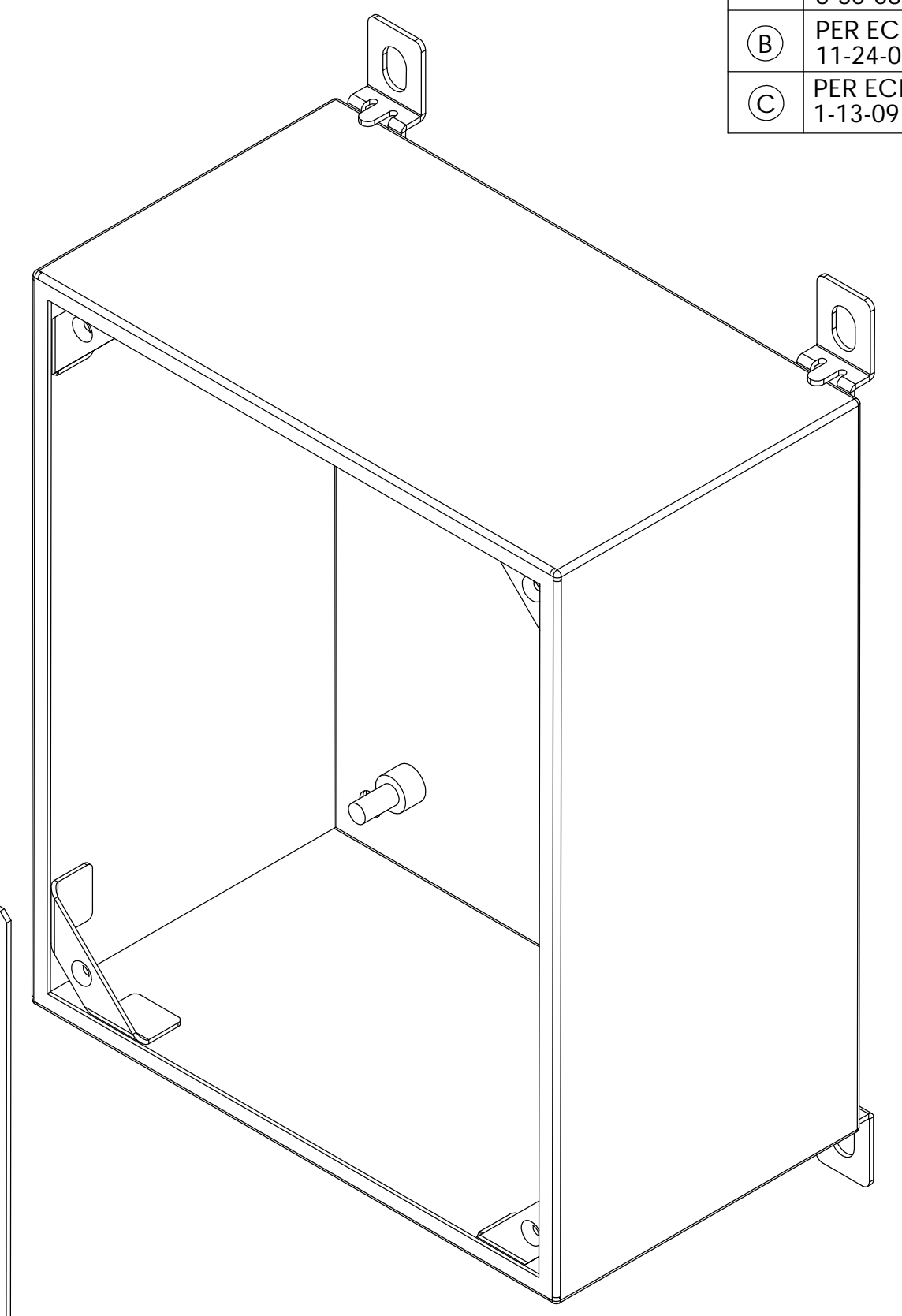
THE INFORMATION CONTAINED IN THIS DRAWING IS THE SOLE PROPERTY OF BUD INDUSTRIES INC. ANY REPRODUCTION IN PART OR WHOLE WITHOUT THE WRITTEN PERMISSION OF BUD INDUSTRIES INC. IS PROHIBITED.

DWG. NO. SNC-3751	
ISSUE	REVISIONS
(A)	REVISED DESIGN 6-30-08 DAB
(B)	PER ECN #10404 11-24-08 DAB
(C)	PER ECN #10446 1-13-09 BT

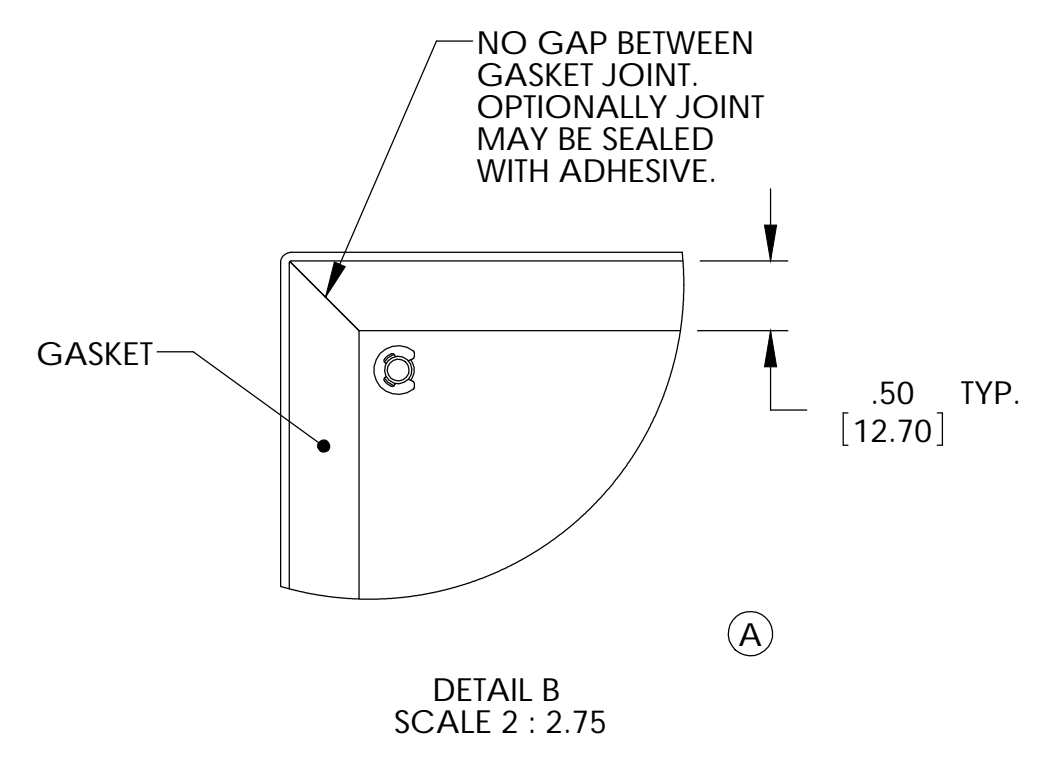
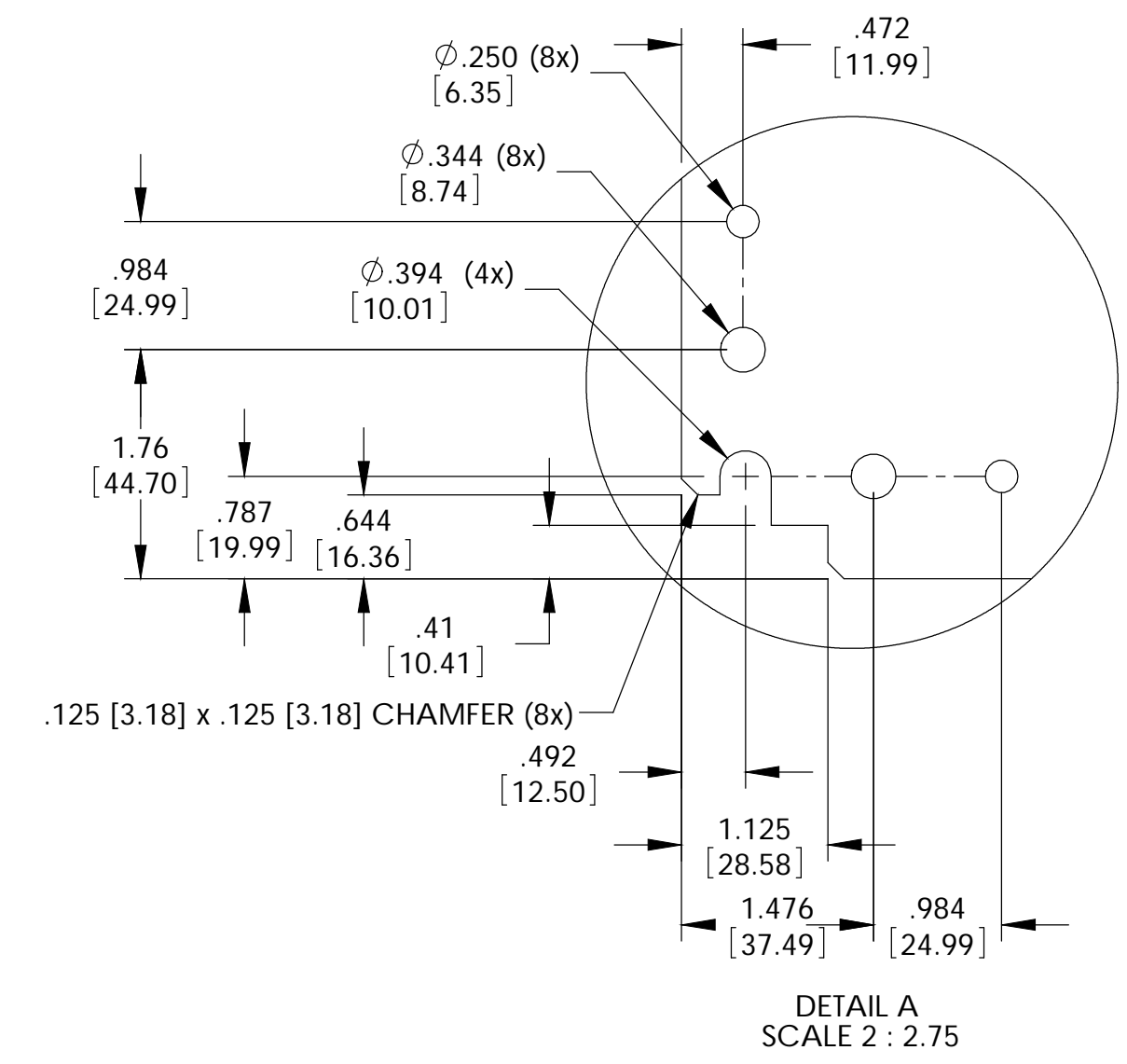
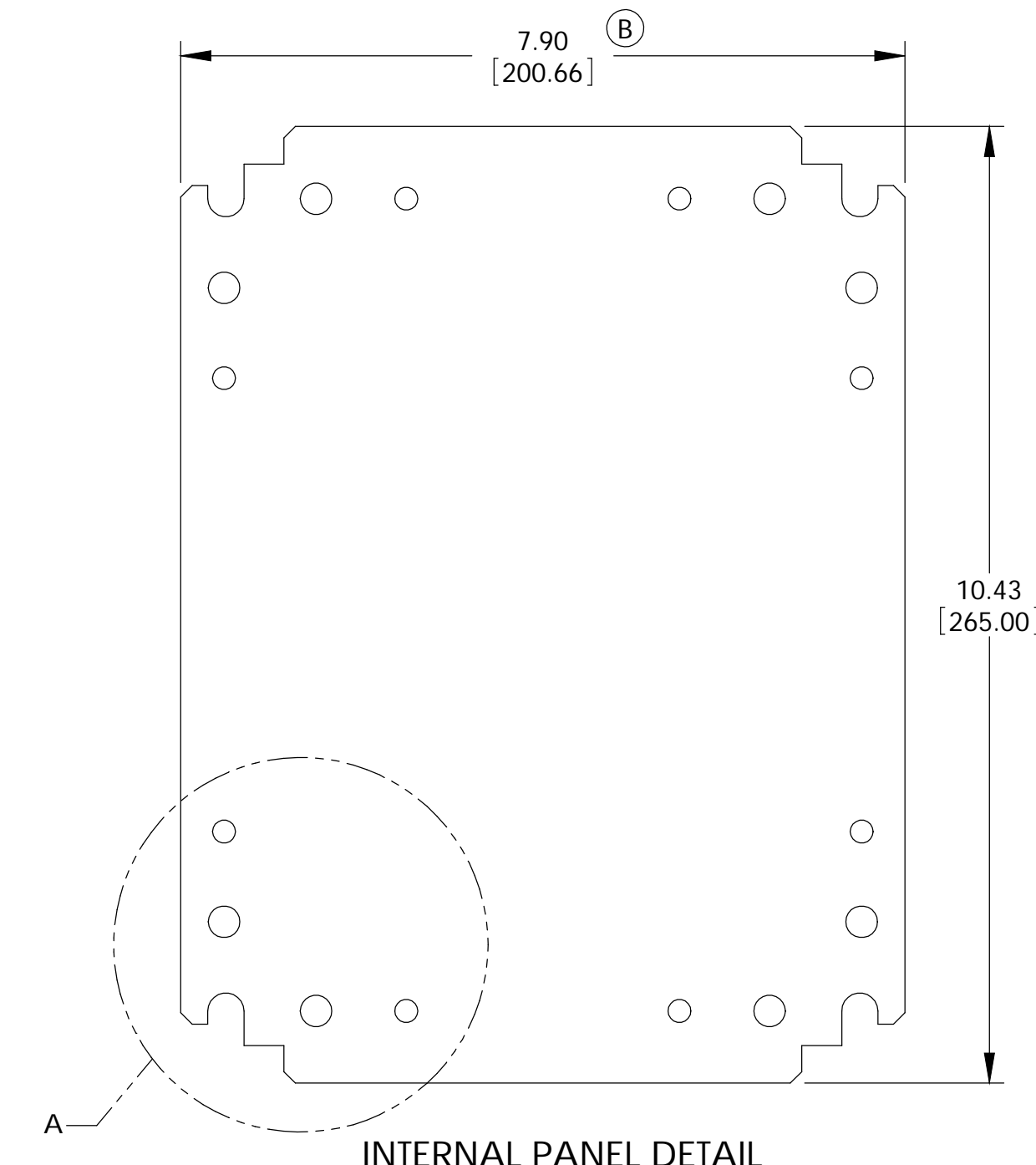
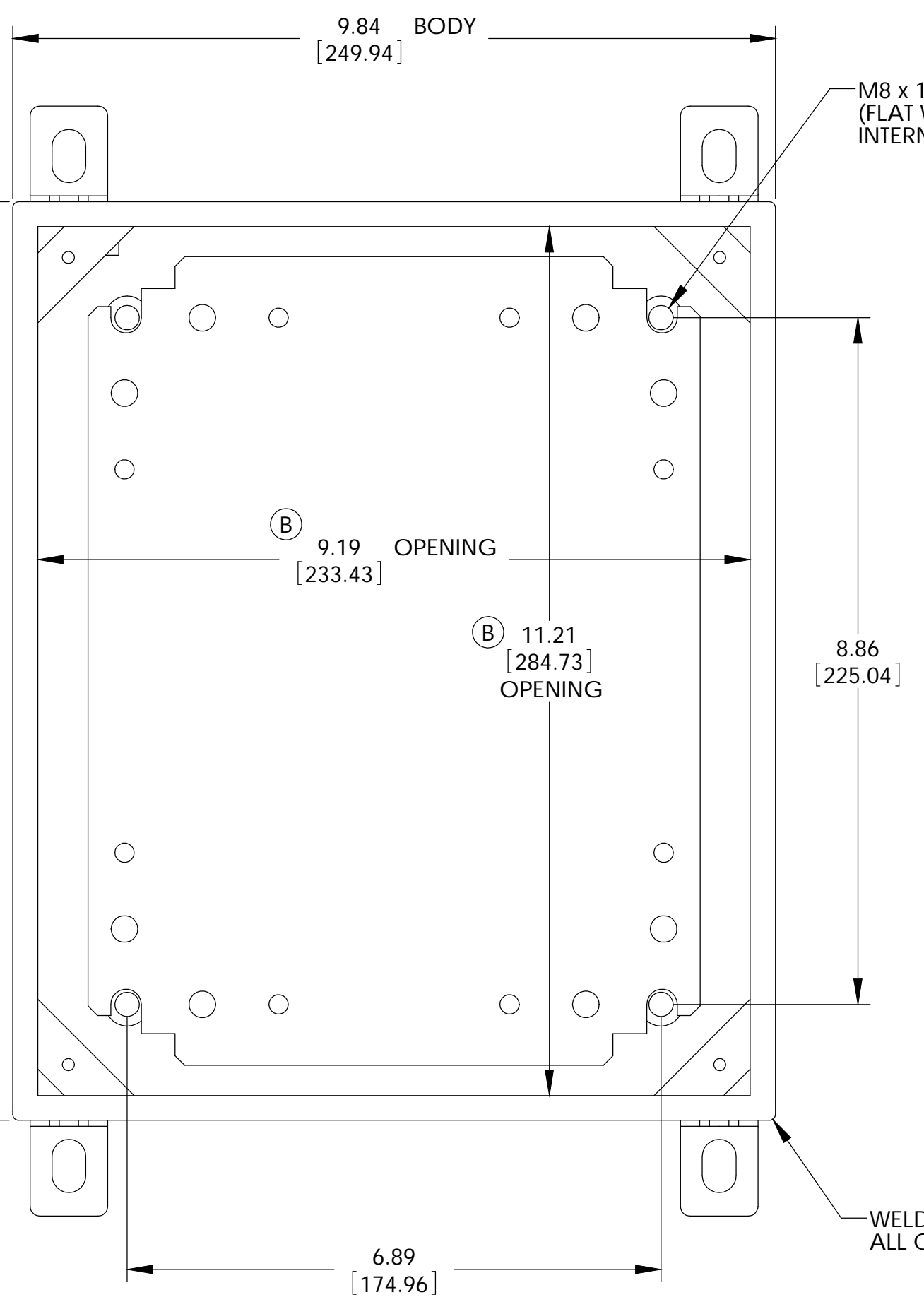
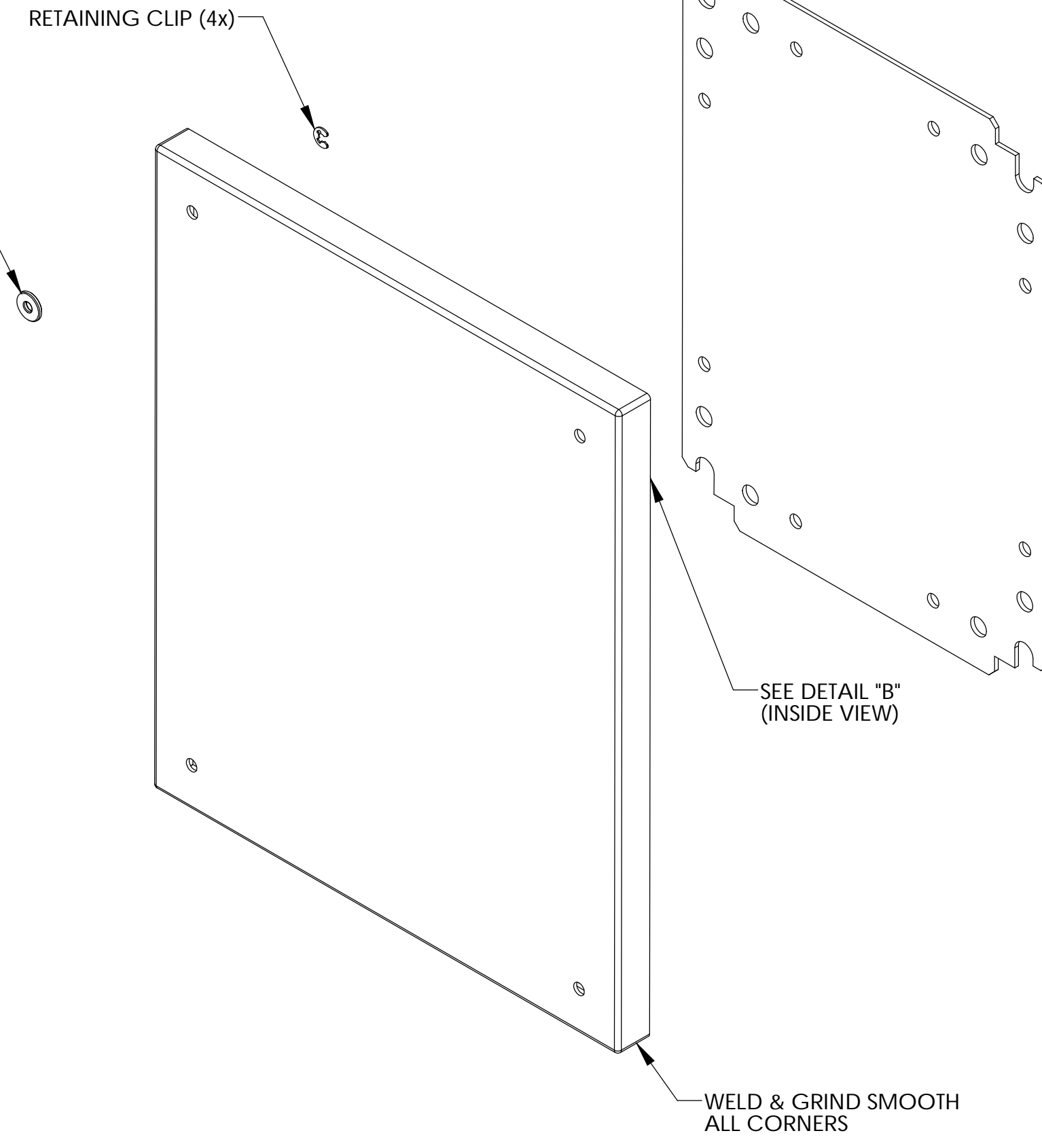
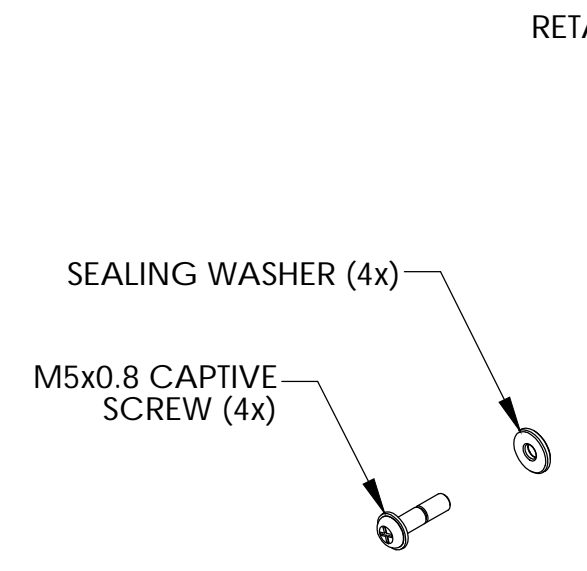
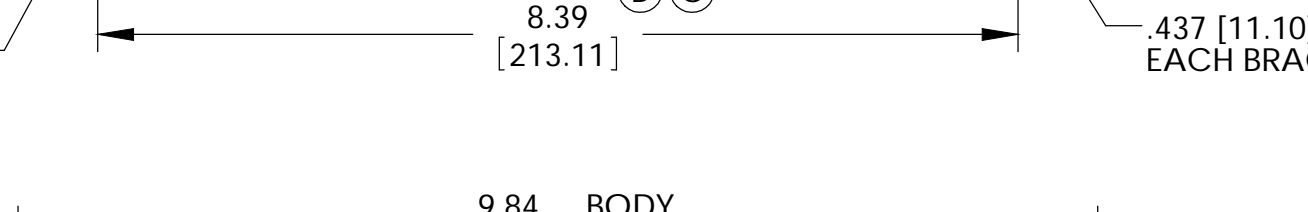


MATERIAL:
 BODY, COVER MOUNTING BRACKETS, COVER - 16 GA. [1.5mm] C.R.S.
 INTERNAL PANEL - 14 GA. [2.0mm] C.R.S.
 WALL MOUNTING BRACKETS - 14 GA. [2.0mm] STAINLESS STEEL
 HARDWARE - STAINLESS STEEL
 GASKET - .25 [6.35] THICK NEOPRENE (BLACK) OR EQUIVALENT
 SEALING WASHERS - BLACK NEOPRENE OR EQUIVALENT

FINISH:
 BODY & COVER - LIGHT GRAY SMOOTH POWDER COAT
 INTERNAL PANEL - ZINC CHROMATE
 WALL MOUNTING BRACKETS - NATURAL



WALL MOUNTING BRACKET KIT TO CONTAIN THE FOLLOWING:
 (4) BRACKETS, (4) BOLTS, (4) SEALING WASHERS, (4) FLAT WASHERS, (4) LOCKWASHERS & (4) HEX NUTS



FRONT VIEW (LESS COVER)

INTERNAL PANEL DETAIL

DETAIL A SCALE 2 : 2.75

DETAIL B SCALE 2 : 2.75

UNLESS OTHERWISE SPECIFIED ALL DIMENSIONS ARE IN INCHES (MILLIMETERS)		PARTS LIST	
TOLERANCES:	XX .03	APPROVALS	DATE
XXX ±.010		DAB	5-5-08
MATERIAL:	AS NOTED	CHECKED	
FINISH:	AS NOTED	APPROVED	

BUD INDUSTRIES INC.

NEMA SHEET METAL BOX w/LIFT-OFF SCREW COVER

SIZE [DWG. NO. SNC-3751] REV. SHEET 1 OF 1

QTY.	USED ON	DO NOT SCALE DRAWING
------	---------	----------------------

X-ON Electronics

Largest Supplier of Electrical and Electronic Components

Click to view similar products for [Electrical Enclosures](#) category:

Click to view products by [Bud Industries](#) manufacturer:

Other Similar products are found below :

[MR-25L+](#) [1584DMGPK](#) [30-8739](#) [PIP-11774SCREW](#) [30-9715](#) [30-9777-BU](#) [110-402](#) [A242012LP](#) [A16N12BLP](#) [111-005](#) [9511096](#) [9511016](#)
[9822011](#) [CAB PC 203018 G](#) [NSYTLEU](#) [PC 30/25-FC3](#) [9820006](#) [1010.600](#) [1012.600](#) [AR242410CHSSL](#) [120-404](#) [127-406](#) [127-906](#)
[79021101](#) [EKIV 17](#) [EKIV 37](#) [18200101](#) [18600801](#) [19501001](#) [19600901](#) [TRH 24](#) [A317SEAL](#) [A3735SEAL](#) [HV 60 MW](#) [X16C LGR-TR](#)
[X25C LGR-TR](#) [T 160 OE HD LGR](#) [T 350 OE HD LGR](#) [T 60 M20](#) [T 60 M20 NL](#) [SDB 03 PS](#) [SDB 09 PS](#) [P2018SEAL](#) [EN1309N4](#)
[EN1511N4LATCH](#) [GSV171](#) [2762-00](#) [2763-00](#) [2765-00](#) [2761-00](#)