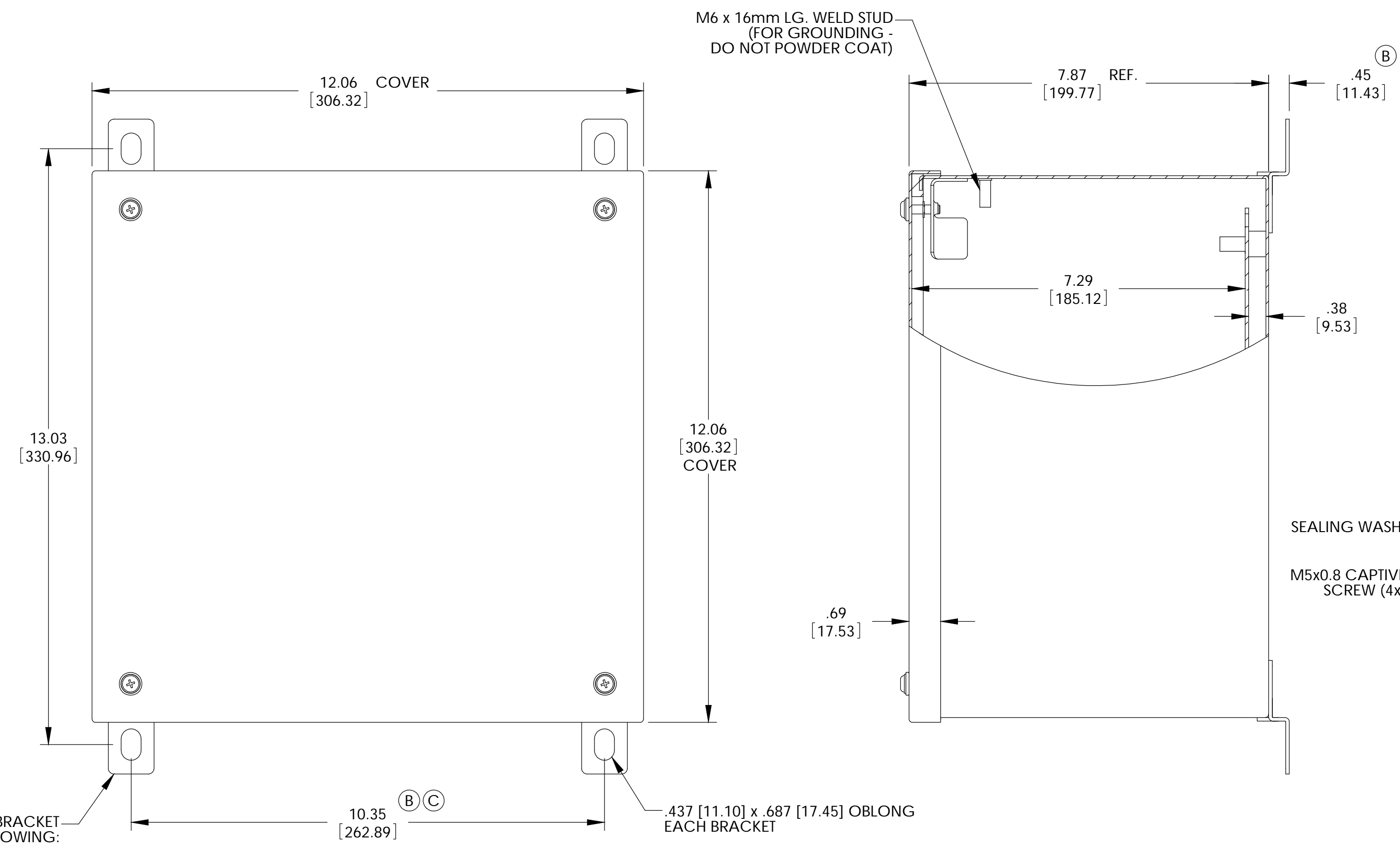


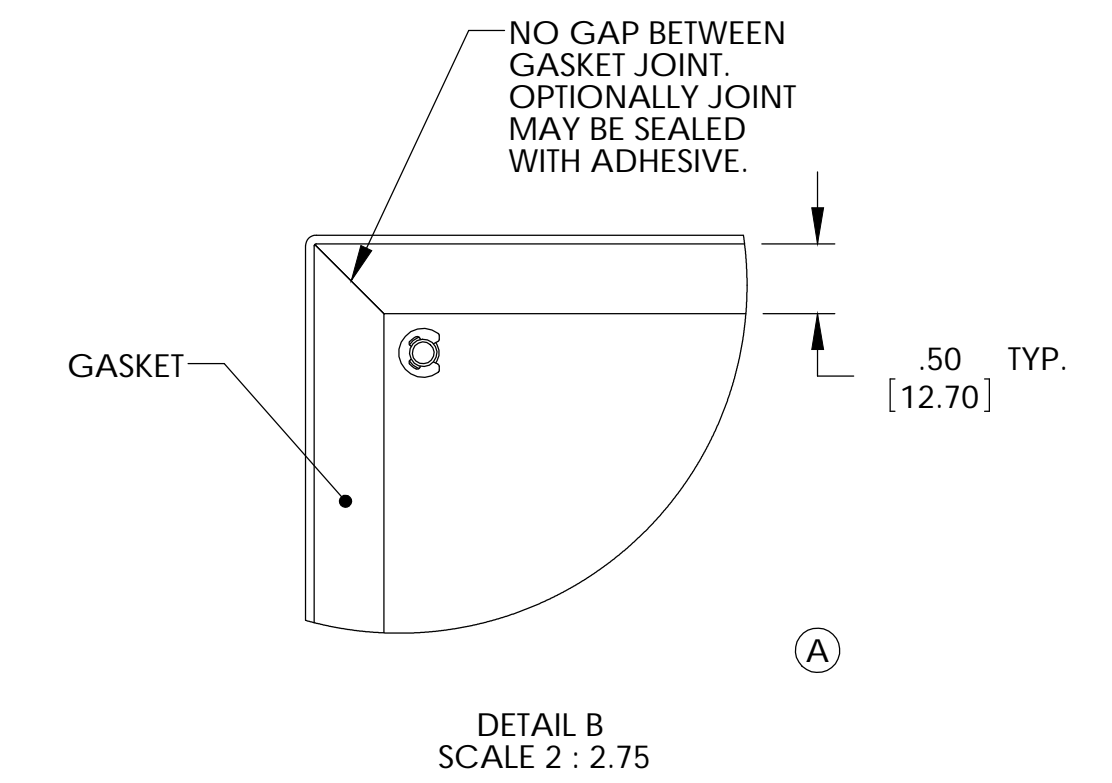
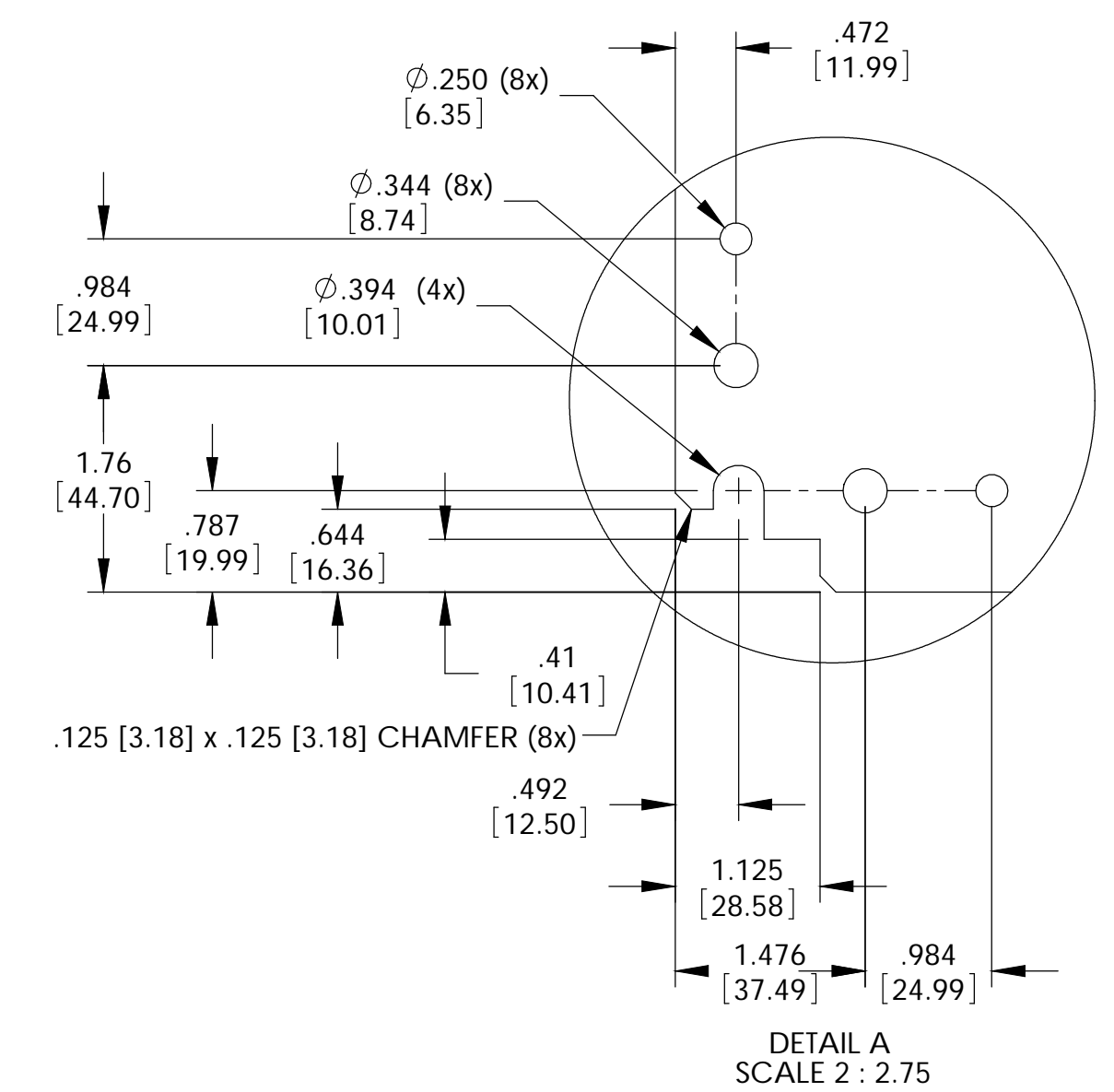
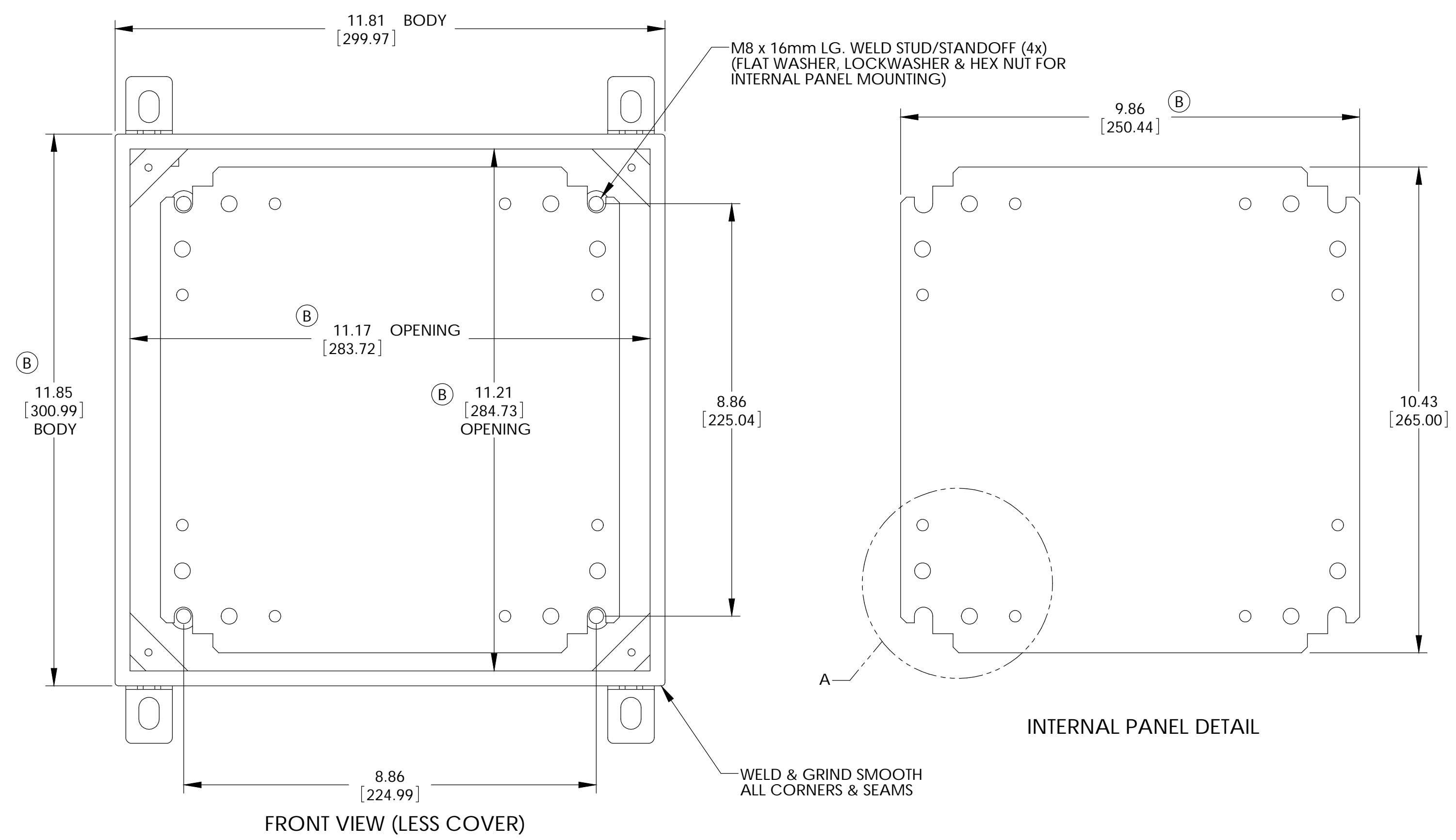
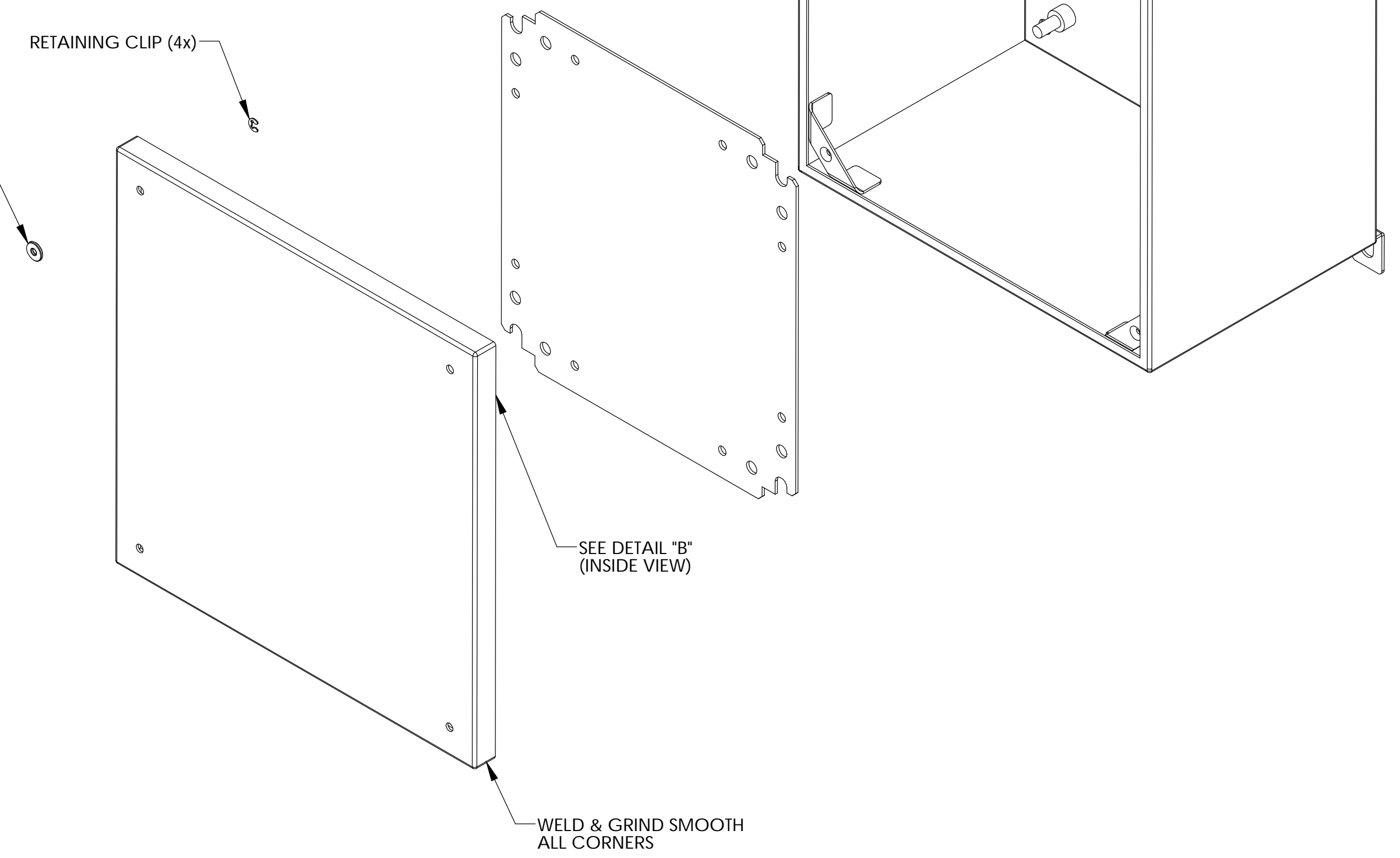
THE INFORMATION CONTAINED IN THIS DRAWING IS THE SOLE PROPERTY OF BUD INDUSTRIES INC. ANY REPRODUCTION IN PART OR WHOLE WITHOUT THE WRITTEN PERMISSION OF BUD INDUSTRIES INC. IS PROHIBITED.

DWG. NO. SNC-3754	
ISSUE	REVISIONS
(A)	REVISED DESIGN 6-30-08 DAB
(B)	PER ECN #10404 12-4-08 DAB
(C)	PER ECN #10446 1-13-09 BT



MATERIAL:
 BODY, COVER MOUNTING BRACKETS, COVER - 16 GA. [1.5mm] C.R.S.
 INTERNAL PANEL - 14 GA. [2.0mm] C.R.S.
 WALL MOUNTING BRACKETS - 14 GA. [2.0mm] STAINLESS STEEL
 HARDWARE - STAINLESS STEEL
 GASKET - .25 [6.35] THICK NEOPRENE (BLACK) OR EQUIVALENT
 SEALING WASHERS - BLACK NEOPRENE OR EQUIVALENT

FINISH:
 BODY & COVER - LIGHT GRAY SMOOTH POWDER COAT
 INTERNAL PANEL - ZINC CHROMATE
 WALL MOUNTING BRACKETS - NATURAL



UNLESS OTHERWISE SPECIFIED ALL DIMENSIONS ARE IN INCHES (MILLIMETERS)		CAD GENERATED DRAWING, DO NOT MANUALLY UPDATE	
TOLERANCES:	DRAWN:	APPROVALS:	DATE:
XXX ±.015	DAB	DAB	5-5-08
MATERIAL:	AS NOTED	CHECKED:	
FINISH:	AS NOTED	APPROVED:	
DO NOT SCALE DRAWING			

QTY.	USED ON	SCALE	DWG. NO.	REV.
			SNC-3754	

X-ON Electronics

Largest Supplier of Electrical and Electronic Components

Click to view similar products for [Electrical Enclosures](#) category:

Click to view products by [Bud Industries](#) manufacturer:

Other Similar products are found below :

[120-905](#) [120-909](#) [127-410](#) [130-004](#) [MR-25L+](#) [1584DMGPK](#) [30-8739](#) [PIP-11774SCREW](#) [30-9715](#) [30-9777-BU](#) [105-905](#) [110-902](#) [110-402](#)
[110-901](#) [111-002](#) [A242012LP](#) [A16N12BLP](#) [110-406](#) [110-401](#) [120-405](#) [106-009](#) [105-405](#) [111-005](#) [127-909](#) [106-502](#) [130-475](#) [130-503](#)
[127-455](#) [9511096](#) [9511016](#) [9822011](#) [CAB PC 203018 G](#) [NSYTLEU](#) [PC 30/25-FC3](#) [9820006](#) [1010.600](#) [AR242410CHSSL](#) [137-455](#) [105-](#)
[904](#) [120-404](#) [130-505](#) [127-406](#) [EKIV 17](#) [18200101](#) [18600801](#) [19501001](#) [19600901](#) [A317SEAL](#) [A3735SEAL](#) [HV 60 MW](#)