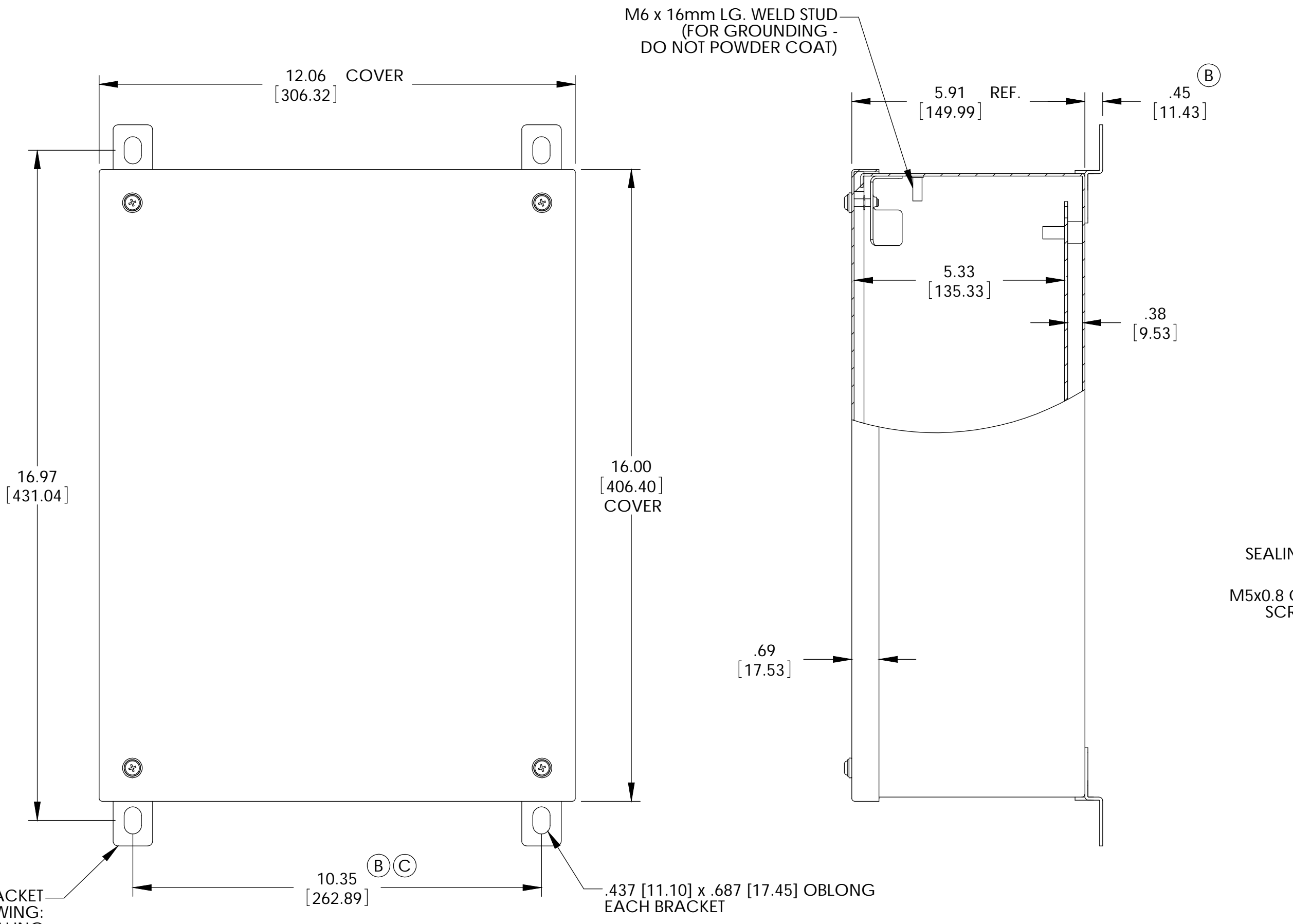


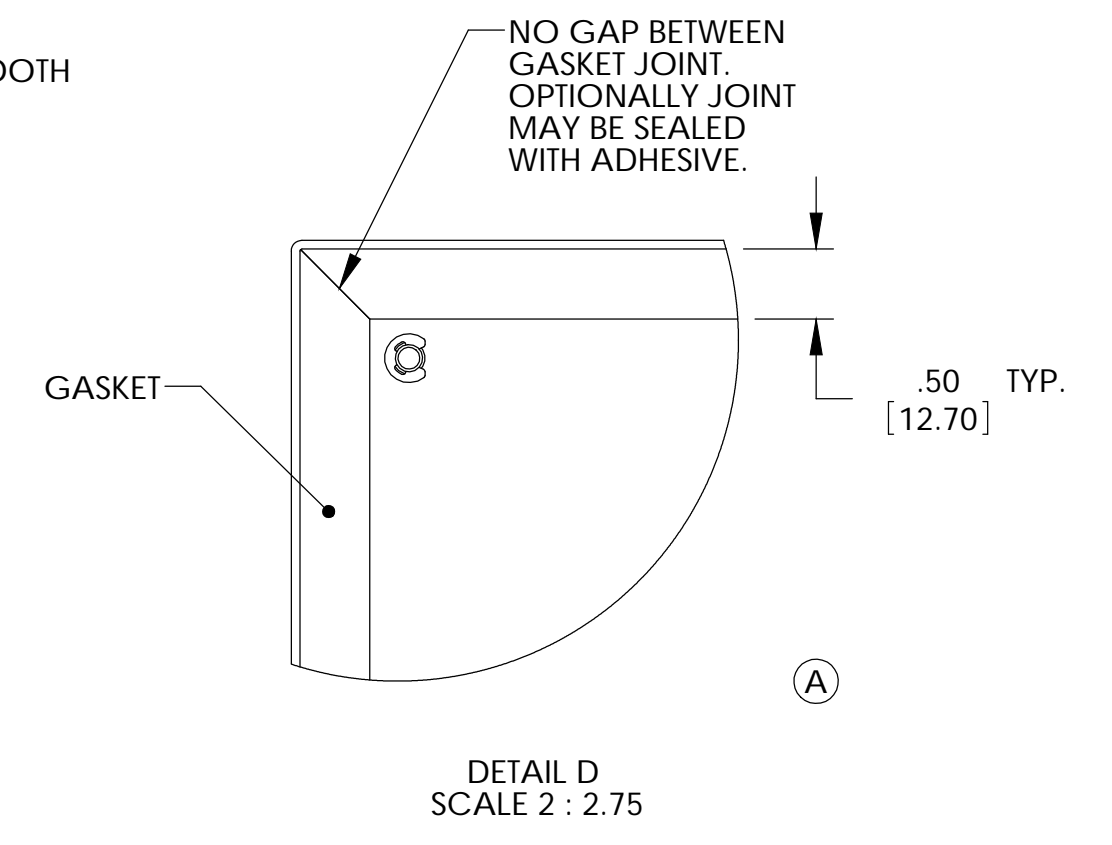
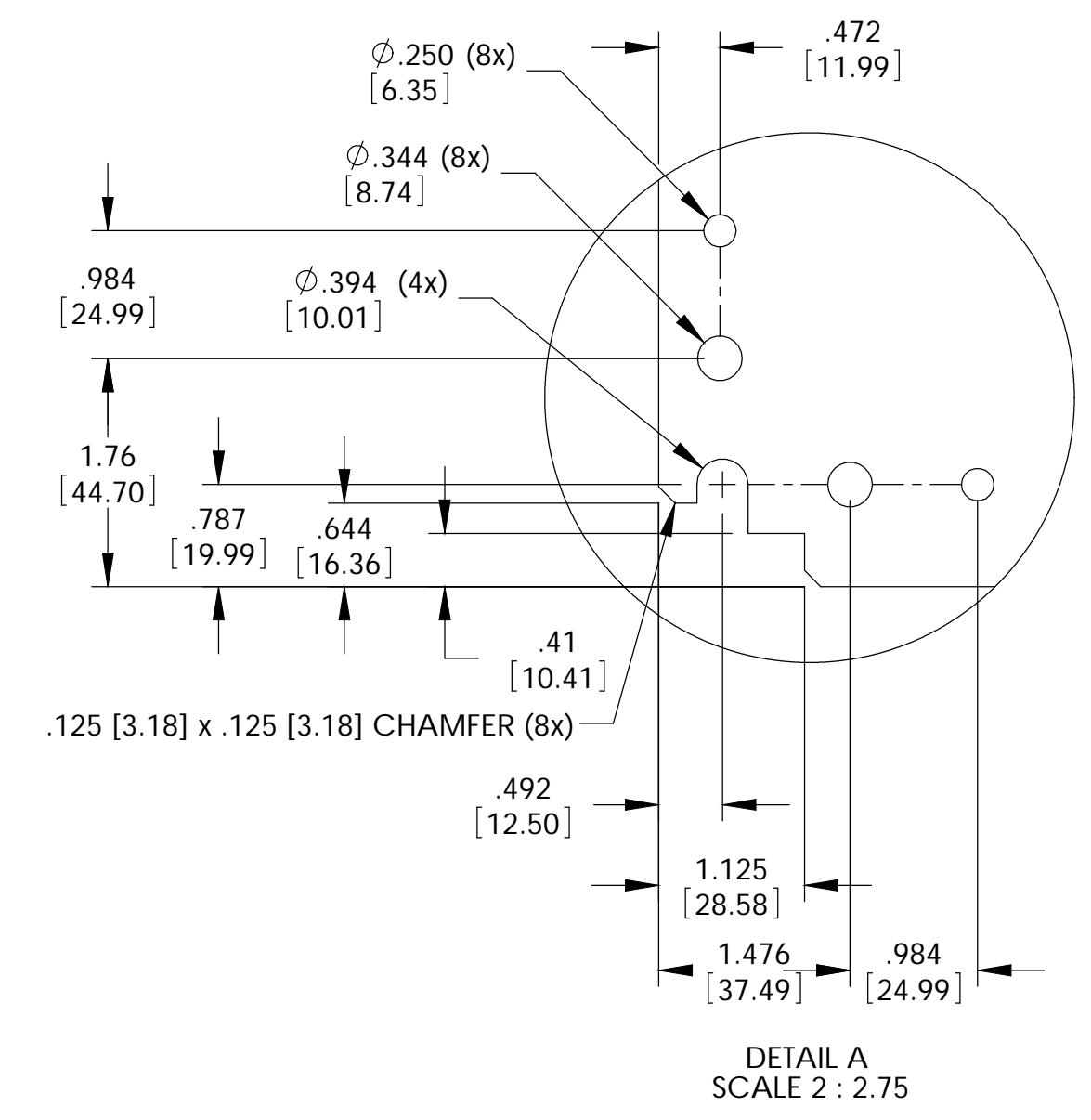
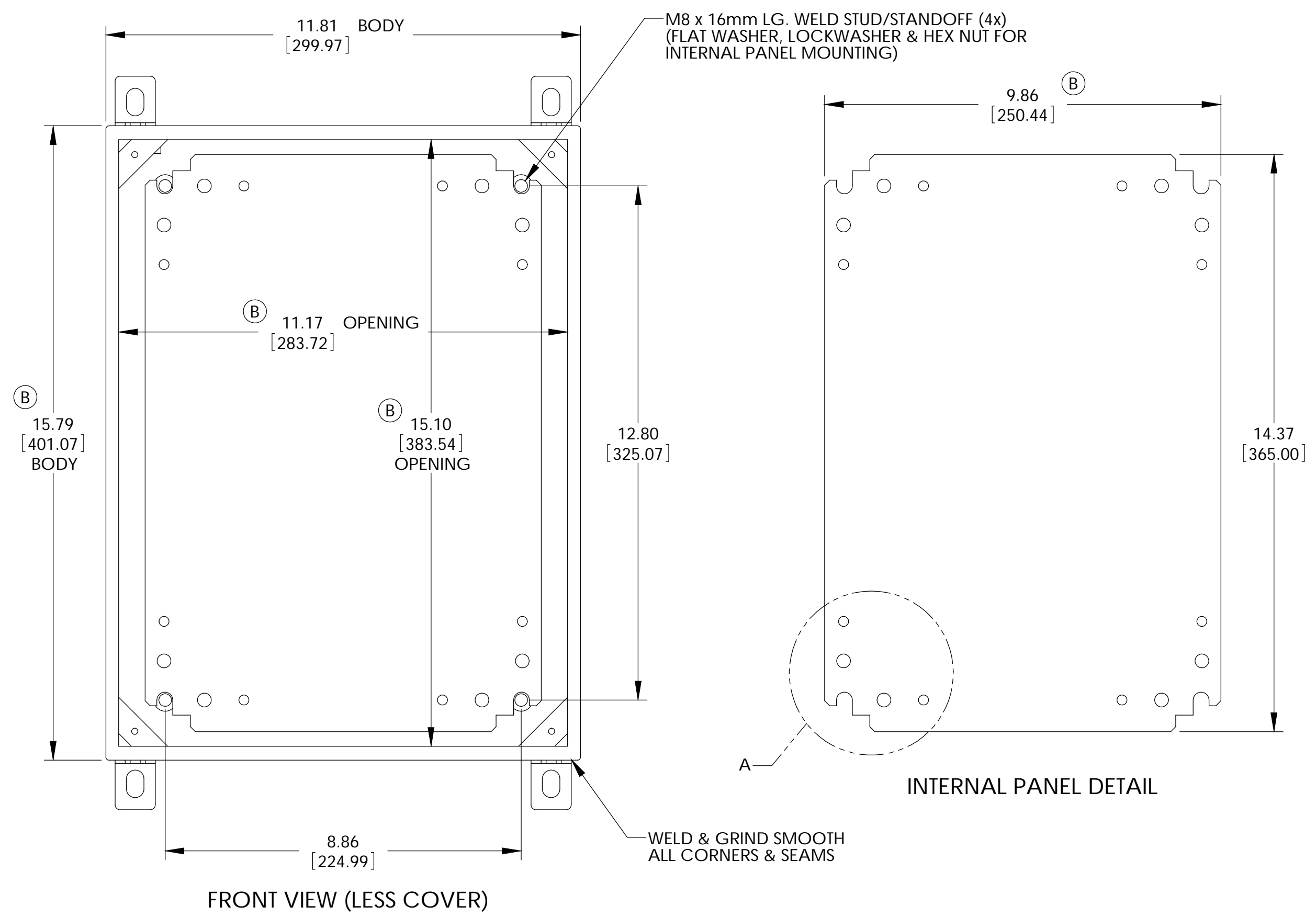
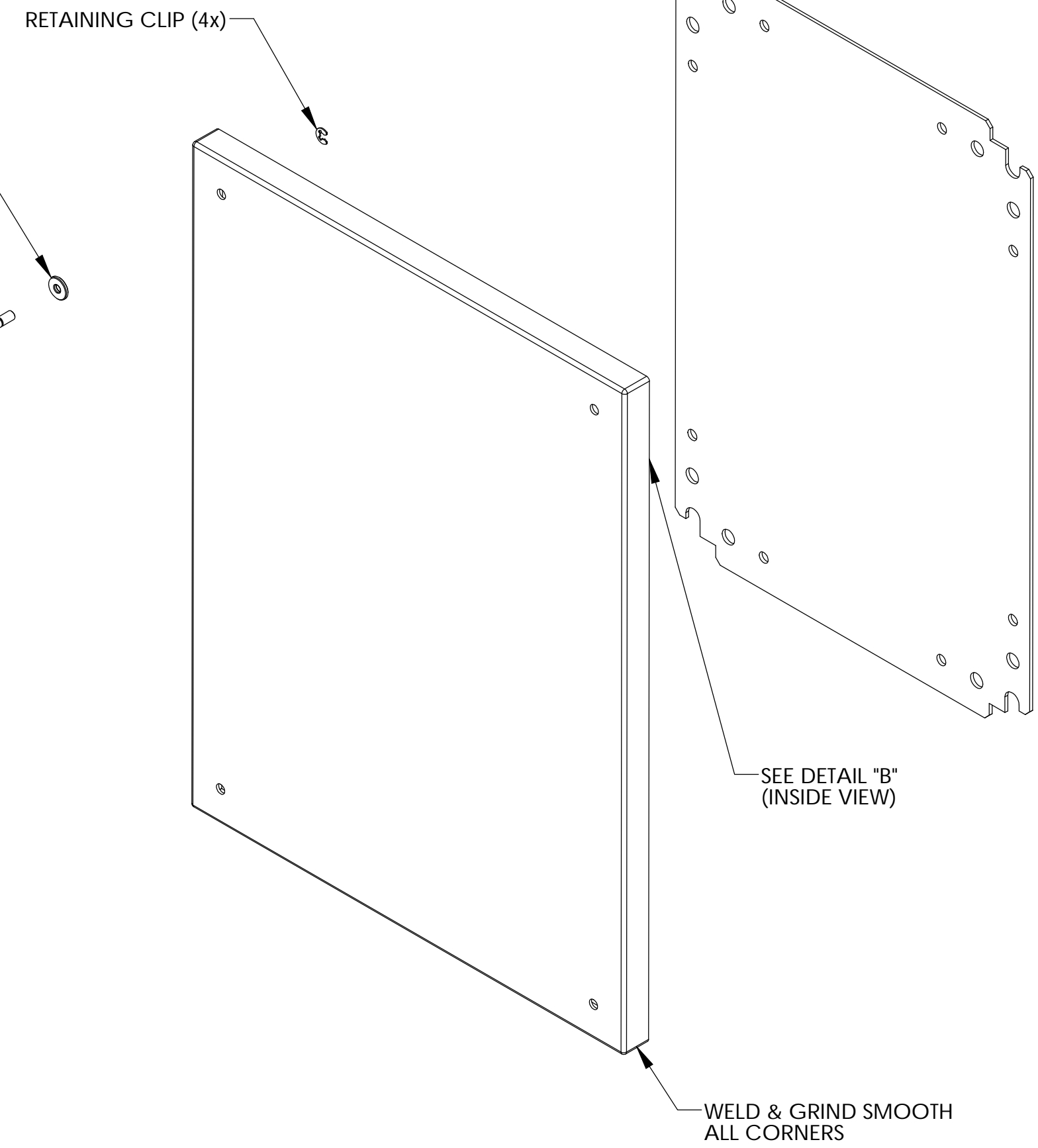
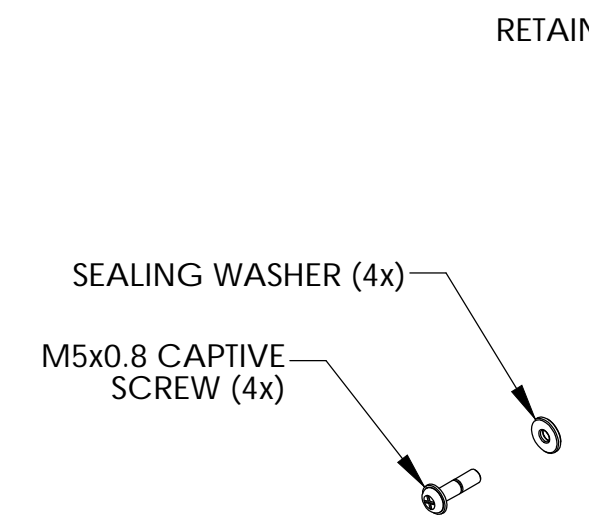
THE INFORMATION CONTAINED IN THIS DRAWING IS THE SOLE PROPERTY OF BUD INDUSTRIES INC. ANY REPRODUCTION IN PART OR WHOLE WITHOUT THE WRITTEN PERMISSION OF BUD INDUSTRIES INC. IS PROHIBITED.

DWG. NO. SNC-3755	
ISSUE	REVISIONS
(A)	REVISED DESIGN 6-30-08 DAB
(B)	PER ECN #10404 12-4-08 DAB
(C)	PER ECN #10446 1-13-09 BT



MATERIAL:
 BODY, COVER MOUNTING BRACKETS, COVER - 16 GA. [1.5mm] C.R.S.
 INTERNAL PANEL - 14 GA. [2.0mm] C.R.S.
 WALL MOUNTING BRACKETS - 14 GA. [2.0mm] STAINLESS STEEL
 HARDWARE - STAINLESS STEEL
 GASKET - .25 [6.35] THICK NEOPRENE (BLACK) OR EQUIVALENT
 SEALING WASHERS - BLACK NEOPRENE OR EQUIVALENT

FINISH:
 BODY & COVER - LIGHT GRAY SMOOTH POWDER COAT
 INTERNAL PANEL - ZINC CHROMATE
 WALL MOUNTING BRACKETS - NATURAL



PARTS LIST	
UNLESS OTHERWISE SPECIFIED ALL DIMENSIONS ARE IN INCHES (MILLIMETERS)	CAD GENERATED DRAWING DO NOT MANUALLY UPDATE
TOLERANCES: DECIMALS: .015, .03, .05, .10, .15, .30	APPROVALS DATE
MATERIAL: AS NOTED	DAB 5-5-08
FINISH: AS NOTED	CHECKED
DO NOT SCALE DRAWING	APPROVED

BUD INDUSTRIES INC.	
NEMA SHEET METAL BOX w/LIFT-OFF SCREW COVER	
SIZE [DWG. NO.]	SNC-3755
SCALE [CAD FILE]	
QTY.	USED ON
2	

X-ON Electronics

Largest Supplier of Electrical and Electronic Components

Click to view similar products for [Electrical Enclosures](#) category:

Click to view products by [Bud Industries](#) manufacturer:

Other Similar products are found below :

[MR-25L+](#) [1584DMGPK](#) [30-8739](#) [PIP-11774SCREW](#) [30-9715](#) [30-9777-BU](#) [110-402](#) [A242012LP](#) [A16N12BLP](#) [111-005](#) [9511096](#) [9511016](#)
[9822011](#) [CAB PC 203018 G](#) [NSYTLEU](#) [PC 30/25-FC3](#) [9820006](#) [1010.600](#) [1012.600](#) [AR242410CHSSL](#) [127-406](#) [127-906](#) [79021101](#)
[EKIV 17](#) [EKIV 37](#) [18200101](#) [18600801](#) [19501001](#) [19600901](#) [TRH 24](#) [A317SEAL](#) [A3735SEAL](#) [HV 60 MW](#) [X16C LGR-TR](#) [X25C LGR-](#)
[TR](#) [T 160 OE HD LGR](#) [T 350 OE HD LGR](#) [T 60 M20](#) [T 60 M20 NL](#) [SDB 03 PS](#) [SDB 09 PS](#) [P2018SEAL](#) [EN1309N4](#) [EN1511N4LATCH](#)
[GSV171](#) [2762-00](#) [2763-00](#) [2765-00](#) [2761-00](#) [00 070](#)