

PART
NAME

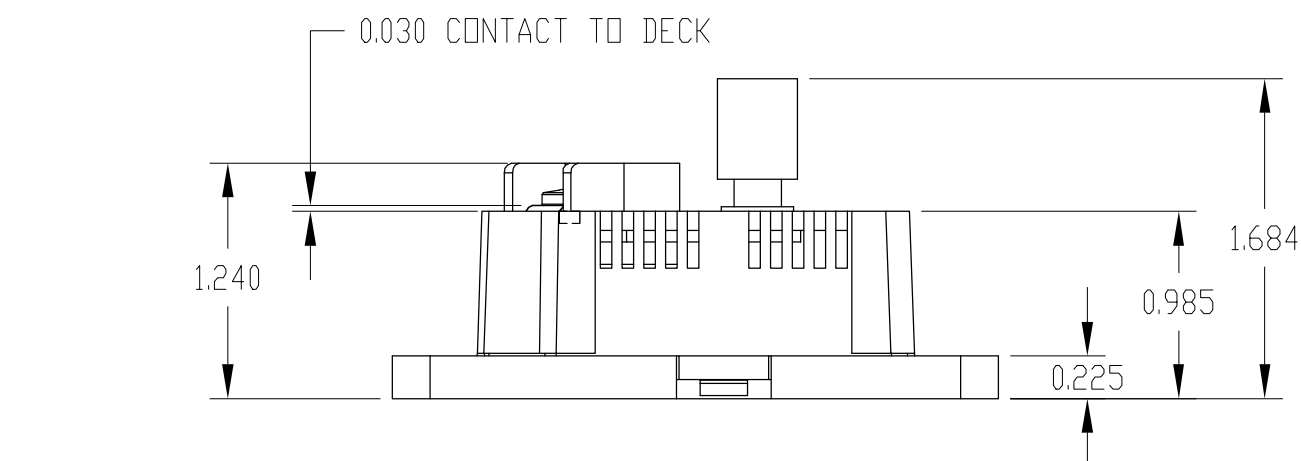
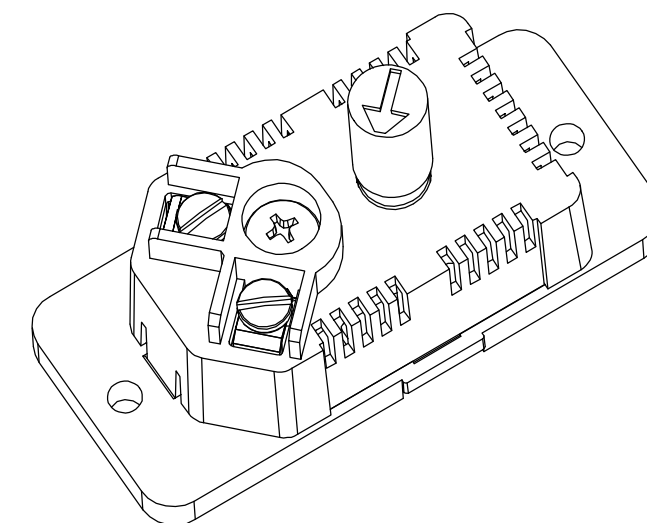
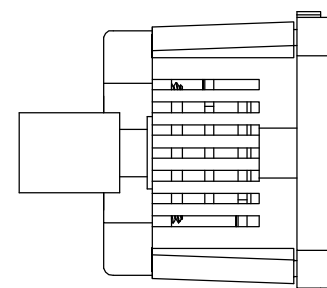
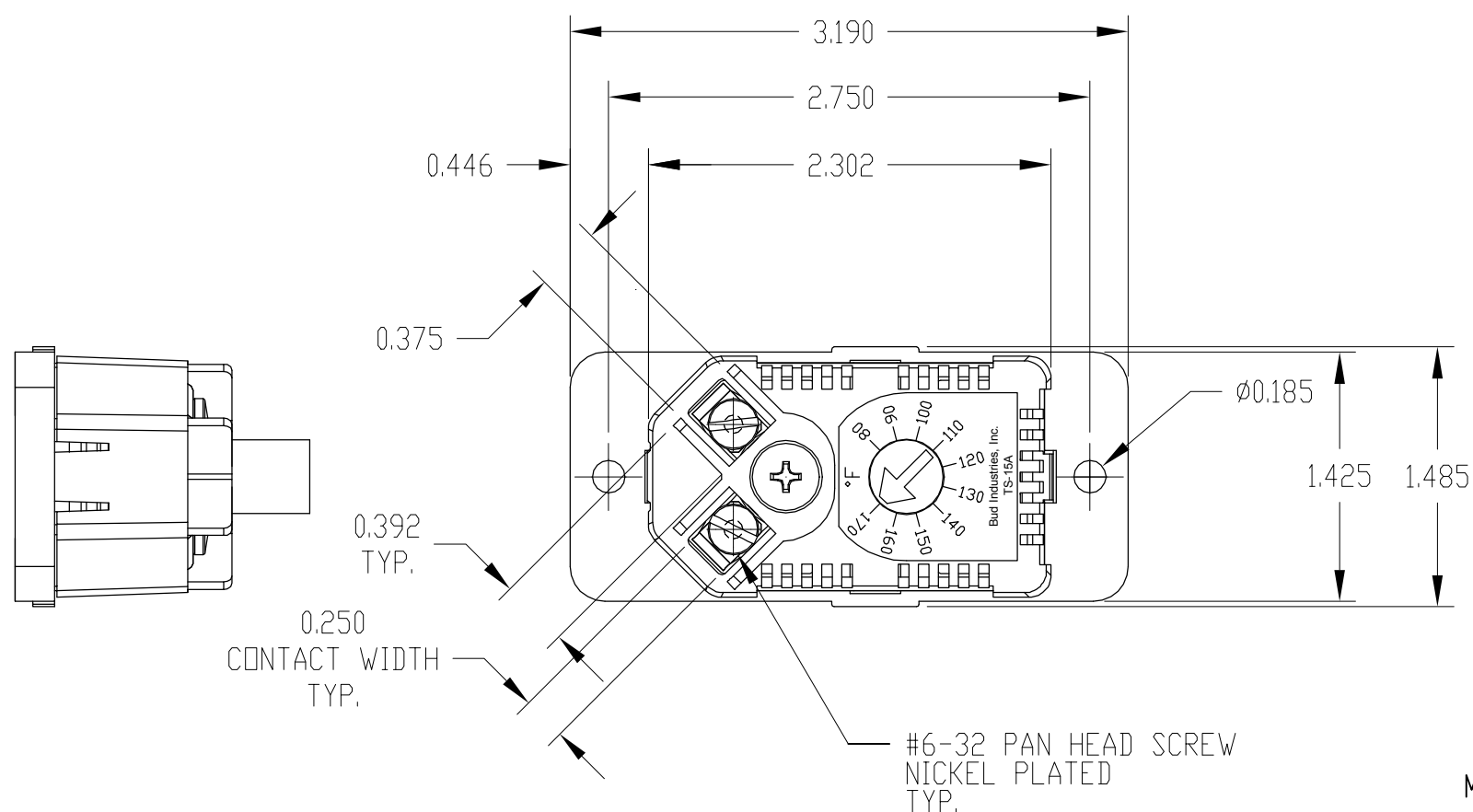
TEMPERATURE CONTROLLER

PART
No.

TS-15A

REV.
DATE

1-8-10



MATERIALS:

Body and Base: Glass Filled Nylon, Black, UL94-5VA
 Contacts: Nickel Plated Steel
 Temperature Controller: Bi-Metallic
 Pointer Knob: ABS Plastic, Natural

UL FILE NUMBER: E332047

SPECIFICATIONS:

Normally Open, Close on temperature rise
 Temperature Range: 80°-170°F
 Switching Difference (hysteresis): 10°F \pm 5°F (6°C \pm 3K)
 Max. Tolerance: $\pm 8^\circ\text{F}$ (4K)
 Service Life: 100,000 cycles at 120 VAC, 30,000 cycles at 240 VAC
 Switching Capacity (max. load): 15A resistive at 120 VAC, 10A resistive at 240 VAC
 Connection: 2-pole terminal, #6 ring or spade. Use #6 pan head screws only (provided).
 Weight: 2.1 oz (59.5g)
 Operating temperature: -4 to 250°F (-20 to 121°C)
 Storage temperature: -49 to 250°F (-45 to 121°C)
 Protection Type: IP30
 Scale on Housing: 80 to 170°F

To learn more about electronic enclosure accessories visit <http://www.budind.com/>

X-ON Electronics

Largest Supplier of Electrical and Electronic Components

Click to view similar products for [Racks & Rack Cabinet Accessories](#) category:

Click to view products by [Bud Industries](#) manufacturer:

Other Similar products are found below :

[M00-PLN](#) [F2424](#) [8351-832-A-24](#) [9104](#) [9105](#) [PLFF2000](#) [H-9163-B](#) [1427C3](#) [HTS10](#) [PC-79](#) [SC10-3A](#) [SC4-28](#) [CG3-340S/12](#) [CP-001BK](#)
[M6123-4007-SS](#) [TS170](#) [LP40](#) [5261304-07](#) [CG3-160G](#) [7112C-PLN](#) [ALUM](#) [CM10](#) [8610-3124-S-26](#) [TS81](#) [7142](#) [GP134](#) [M6125-4007-A-24](#)
[M6127-4007-SS](#) [PBCOVER](#) [512](#) [AEG-4000G](#) [AEG-3000G](#) [HD99](#) [SR2-66A2](#) [FP10B4HP-1](#) [SR16-66A2](#) [FP52-2](#) [1406-1006-01](#) [29478](#)
[TS2535](#) [TS169-6](#) [CAC2](#) [HA19-3U](#) [BR-19-10-1](#) [TS180](#) [CG3-ESD](#) [SC11-1](#) [CFS-1.00/2.20](#) [HEC0800PB](#) [ZC633R](#) [140PLN](#)