

Accessories

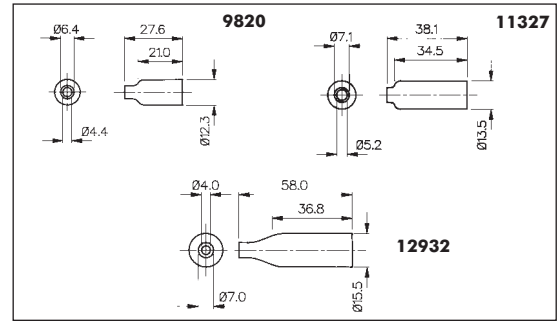
INSULATION BOOTS



PNo. 12932

- Provide Insulation from Shock on Rear of Fuseholder
- PVC
- UL94V-0 rated flame retardant material

PNo. 9820 **PNo. 11327**

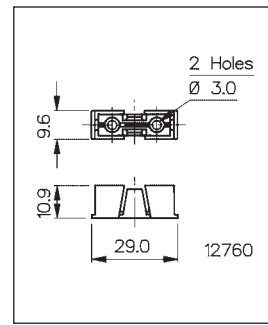


INSULATION COVER



PNo. 12760

- Provide Insulation from Live Parts on Fuseholder
- Clear
- Polycarbonate



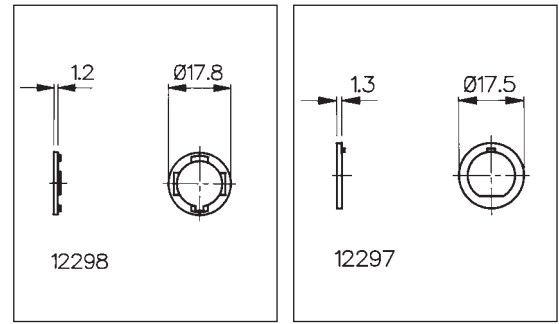
ADAPTORS



PNo. 12297

- Adaptors to Convert Fixing Holes
- Maintains Anti-Rotation
- Glass Filled Nylon

PNo. 12298



Accessories	For Use With:
PNo. 9820 (Boot)	FX0296, FX0296/1, FX0296/S
PNo. 11327 (Boot)	FX0354, FX0354/S, FX0355, FX0355/S, FX0357, FX0359, FX0454, FX0454/S, FX0455, FX0455/S, FX0460, FX0458, FX0367, FX0369
PNo. 12932 (Boot)	FX0415, FX0415/S, FX0416, FX0416/S
PNo. 12760 (Cover)	FX0267, FX0321
Max. Working Voltage:	250V a.c.
Flash Tested to:	2kV a.c.
Material:	PNos. 9820, 11327, 12932: PVC - UL94V-0 PNo. 12760: Polycarbonate
PNo. 12297 (Adaptor Washer)	Adapts "D" fixing to anti-rotation Key Fixing FX0455, FX0455/S, FX0355
PNo. 12298 (Adaptor Washer)	Adapts anti-rotation Keyed Fixing to double "D" hole $\phi 16$ FX0454, FX0454/S, FX0354, FX0354/S
Material:	Glass Filled Nylon

X-ON Electronics

Largest Supplier of Electrical and Electronic Components

Click to view similar products for [Fuse Holder Accessories](#) category:

Click to view products by [Bulgin](#) manufacturer:

Other Similar products are found below :

[BK/1A1337](#) [1A1853](#) [1A4421](#) [1A5220](#) [903-048](#) [1A1337](#) [1A4544](#) [1A5220-01](#) [CO2-10](#) [CO3-03](#) [348897](#) [B072-7007](#) [BK/1A4421](#) [X30110](#)
[09030012H](#) [09050023H](#) [00970021HXNVDL](#) [00BS0232P](#) [CO2-04](#) [BK1A1853](#) [BK9834](#) [00970053XP](#) [3566C](#) [00970053H](#) [04450718ZX900](#)
[CH10CL](#) [BP/FP-3](#) [58600000005](#) [33-012C](#) [880140](#) [00970023S](#) [880150](#) [PDM71009ZXM](#) [B109-7091-4](#) [B109-7091-6](#) [B109-7091-5](#)
[CFBAR2-M8XSP](#) [901-524](#) [CVR-RH-25100](#) [LFH60030FBC](#) [03540514Z](#) [03540526Z](#) [03540531Z](#) [03540541Z](#) [03540525Z](#) [03540537Z](#)
[03540539Z](#) [03540540Z](#) [FEH](#) [CC2/J](#)