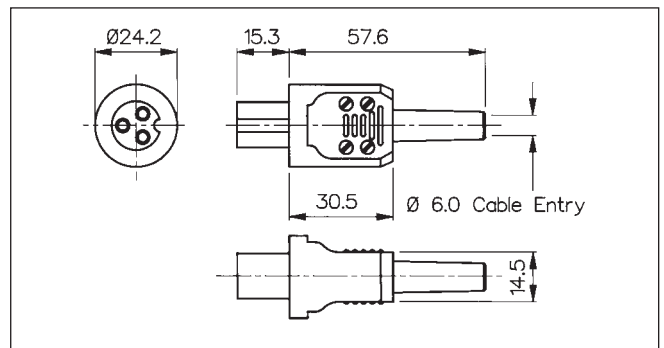
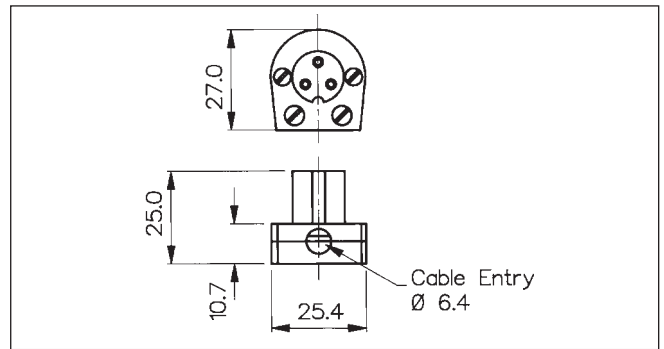
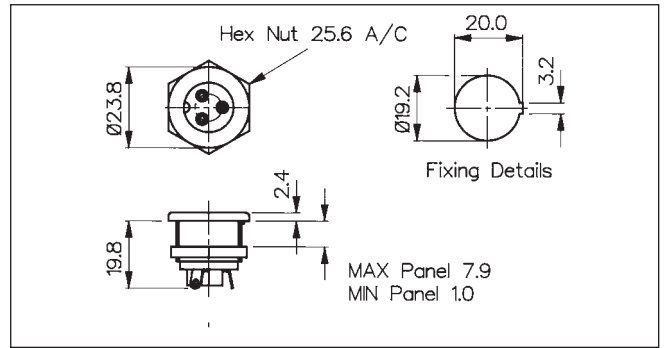


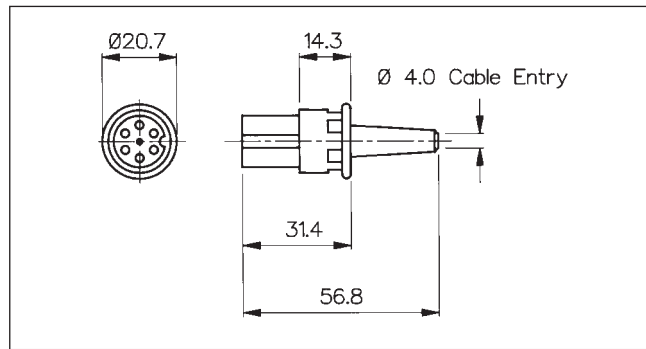
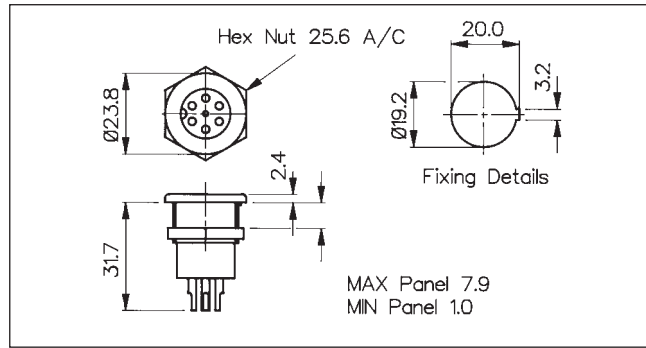
Stecker und Sockel (2 Pole + E)

CONNECTORS



Data	List No.	PX0429	PX0430/SE	PX0646
Anschlüsse:		Lötanschluß	Lötanschluss.	Lötanschluß.
Max. Rating:		3A. 250V a.c.	3A. 250V a.c.	3A. 250V a.c.
Contact Resistance:		<10m Ω.	<10m Ω.	<10m Ω.
Insulation Resistance:		>10 ⁵ M Ω.	>10 ⁵ M Ω.	>10 ⁵ M Ω.
A.C. Breakdown:		Pole-Pole 4.5kV. Poles-Panel 8.5kV.	Pole-Pole 4.5kV. Poles-Accessible Parts 3.5kV.	Pole-Pole 4.5kV. Poles-Accessible Parts 3.5kV.
Operating Temp. Range:		-20°C to +60°C.	-20°C to +60°C.	-20°C to +60°C.
Mouldings:		Glass Filled Nylon.	Nylon and Glass Filled Nylon.	Nylon and Glass Filled Nylon.
Contacts:		Pins: Brass, Tin Dipped.	Sockets: Brass, Silver Plated.	Sockets: Brass, Silver Plated.
Accessories:		P.No.9455 (see page 80).		
Mates With:		PX0430/SE & PX0646.	PX0429.	PX0429.

Plugs and Sockets (6 Pole)

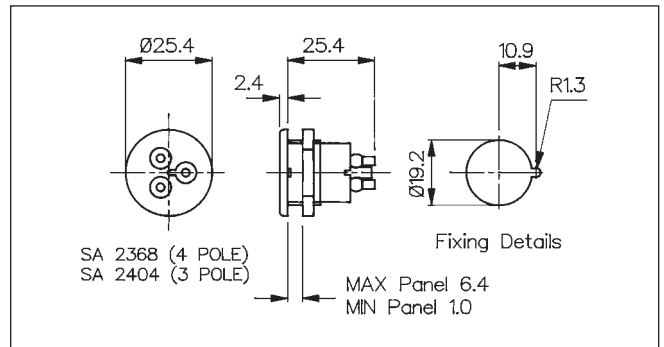
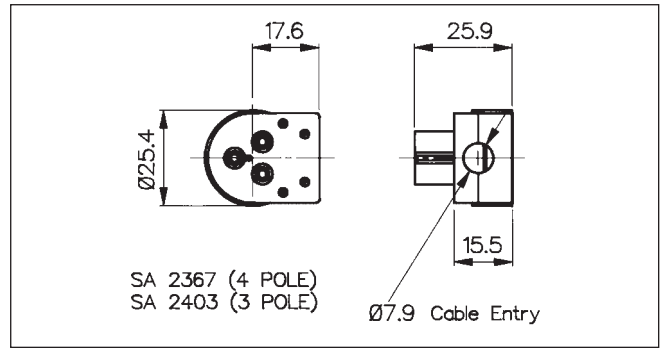


CONNECTORS



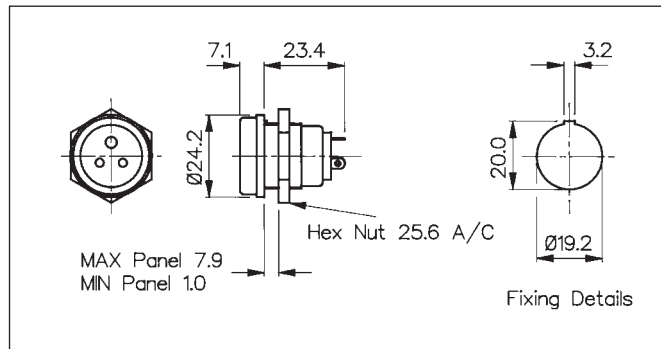
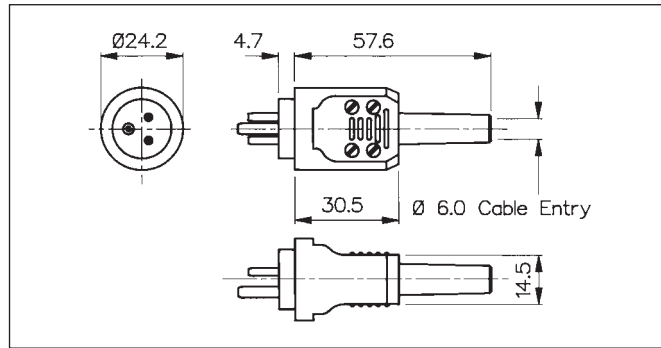
Data	List No.	PX0635	PX0636	
Terminations:		Solder buckets.	Solder tags.	
Max. Rating:		3A. 50V a.c.	3A. 50V a.c.	
Contact Resistance:		<10mΩ.	<10mΩ.	
Insulation Resistance:		>10 ⁴ MΩ.	>10 ⁴ MΩ.	
A.C. Breakdown:		Pole-Pole 2.1kV. Poles-Panel 10kV.	Pole-Pole 2.1kV. Poles-Accessible parts 1.5kV.	
Operating Temp. Range:		-20°C to +60°C.	-20°C to +60°C.	
Mouldings:		Glass Filled Nylon.	Phenolic and Glass Filled Nylon.	
Contacts:		Brass, Silver Plated.	Brass, Silver Plated.	
Accessories:		P.No.9455 (see page 80).		
Mates With:		PX0636	PX0635	

Plugs and Sockets (3 & 4 pole)



Data	List No.	SA2403 (3 Pole) SA2367 (4 Pole)	SA2404 (3 Pole) SA2368 (4 Pole)
Terminations:		Screw terminals.	Solder sockets.
Max. Rating:		3A. 250V a.c.	3A. 250V a.c.
Contact Resistance:		<10m Ω.	<10m Ω.
Insulation Resistance:		>10 ⁴ M Ω.	>10 ⁴ M Ω.
A.C. Breakdown:		Pole-Pole 4.2kV. Poles- Accessible Parts 2kV.	Pole-Pole 4.2kV. Poles-Panel 8.2kV.
Operating Temp. Range:		-20°C to +70°C.	-20°C to +70°C.
Mouldings:		Glass Filled Nylon.	Glass Filled Nylon.
Contacts:		Pins/Terminals: Brass, Nickel Plated.	Sockets: Brass, Tin Plated.
Accessories:			PNo. 9455 (see page 80).
Mates With:		3 Pole - SA2404 4 Pole - SA2368	3 Pole - SA2403 4 Pole - SA2367

Plugs and Sockets (2 Pole + E)

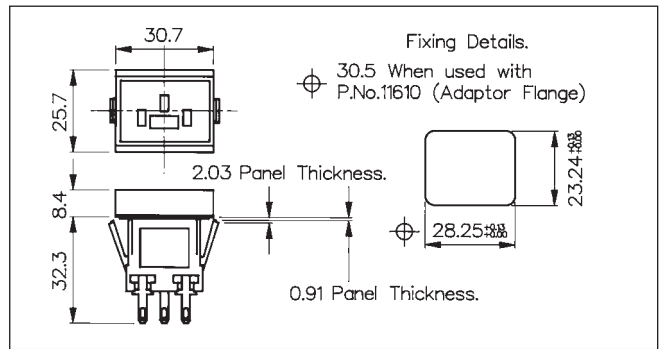
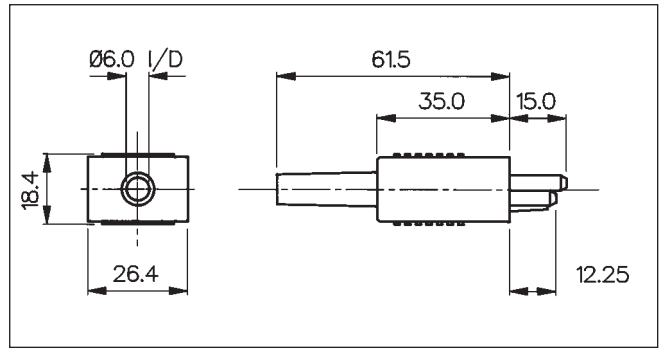


CONNECTORS



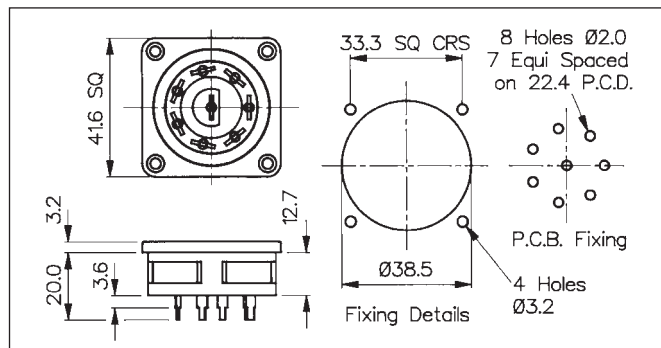
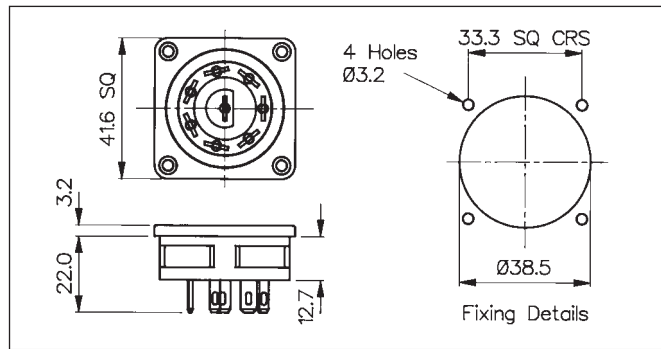
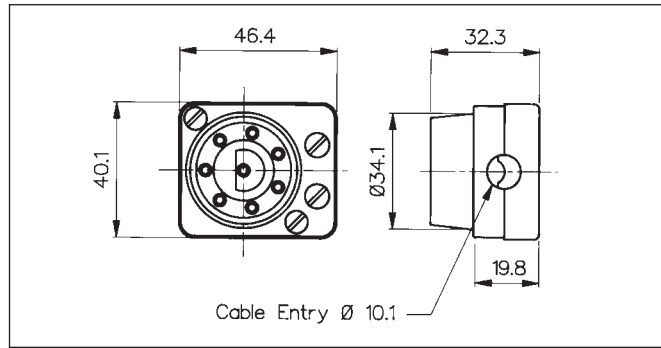
Data \ List No.	PX0649	PX0650	
Terminations:	Solder sockets.	Solder tags.	
Max. Rating:	3A. 250V a.c.	3A. 250V a.c.	
Contact Resistance:	<10mΩ.	<10mΩ.	
Insulation Resistance:	>10 ⁴ MΩ.	>10 ⁴ MΩ.	
A.C. Breakdown:	Pole - Pole 4.2kV. Poles - Accessible parts 10kV.	Pole - Pole 4.2kV. Poles - Panel 10kV.	
Operating Temp. Range:	-20°C to +60°C.	-20°C to +60°C.	
Mouldings:	Nylon and Phenolic.	Glass Filled Nylon.	
Contacts:	Pins: Brass, Tin Dipped.	Sockets: Brass, Silver Plated.	
Accessories:			
Mates With:	PX0650	PX0649	

Plugs and Sockets (2 pole + E)

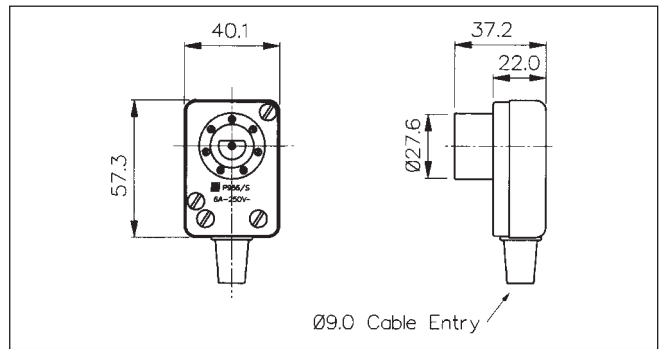
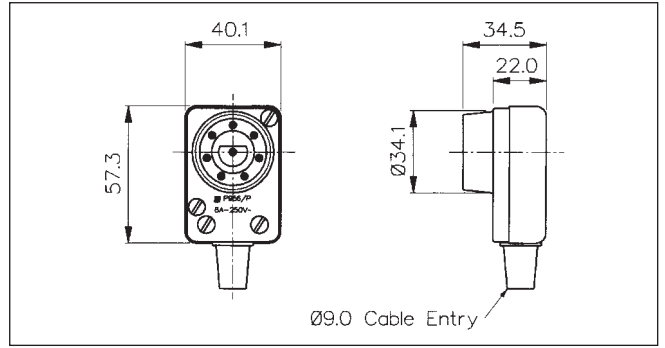


Data	List No.	PX0770	PX0780/Termination	
Fixing:			Push-fit.	
Terminations:		Screw terminals.	/28 (2.8mm solder),/63 (6.3mm tab).	
Max. Rating:		6A. 250V a.c. (CSA 10A. 250V a.c.)	6A. 250V a.c. (CSA 10A. 250V a.c.)	
Contact Resistance:		<10m Ω.	<10m Ω.	
Insulation Resistance:		>10 ⁴ M Ω.	>10 ⁴ M Ω.	
A.C. Breakdown:		Pole - Pole 6.5kV. Poles - Accessible Parts 5.5kV.	Pole - Pole 6.5kV. Poles - Panel 10kV.	
Operating Temp. Range:		-40°C to +70°C.	-40°C to +70°C.	
Withdrawal Force:			10N (Min). 50N (Max).	
Mouldings:		Nylon.	Nylon.	
Contacts:		Brass, Nickel Plated.	Brass, Tin Plated.	
Approvals:				
Accessories / Notes:		Note: Moulded bar prevents cross mating with unsuitable IEC outlet.	PNos. 11610 & /1 adaptor for flange fixing. KT0007, PNo.12128 (see page 81).	
Mates With:		PX0780	PX0770	

Panel/Flex Mount panel and Sockets



Data	List No.	PX0551	PX0552	PX0552/PC
Terminations:		Screw terminals.	4.8 Series Tab.	P.C. Spills
Max. Rating:		6A. 250V a.c. (per pin)	6A. 250V a.c. (per pin)	6A. 250V a.c. (per pin)
Contact Resistance:		< 20mΩ.	< 20mΩ.	< 20mΩ.
Insulation Resistance:		> 10 ³ MΩ.	> 10 ³ MΩ.	> 10 ³ MΩ.
A.C. Breakdown:		Pole-Pole 5.2kV. Poles-Accessible parts 6kV.	Pole-Pole 5.2kV. Poles- Panel 2kV.	Pole-Pole 5.2kV. Poles- Panel 6.6kV.
Operating Temp. Range:		-20°C to +70°C.	-20°C to +70°C.	-20°C to +70°C.
Mouldings:		Glass Filled Nylon.	Glass Filled Nylon.	Glass Filled Nylon.
Contacts:		Brass, Nickel Plated	Brass, Tin Plated	Brass, Tin Plated
Mates With:		PX0552, PX0552/PC	PX0551	PX0551

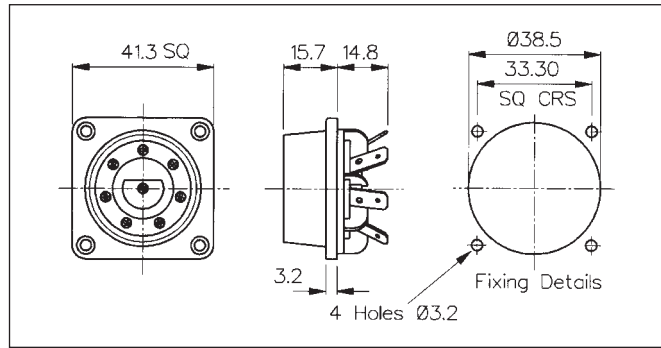


Data	List No.	PX0956/P	PX0956/S
Terminations:		Screw/Solder terminals.	Screw/Solder terminals.
Max. Rating:		6A. 250V a.c.	6A. 250V a.c.
Contact Resistance:		< 10mΩ.	< 10mΩ.
Insulation Resistance:		>10 ⁸ MΩ @ 500V d.c.	>10 ⁸ MΩ @ 500V d.c.
A.C. Breakdown:		Pole-Pole 5kV. Pole- Exterior parts 5kV.	Pole-Pole 5.5kV. Pole- Exterior parts 5kV.
Operating Temp. Range:		-20°C to +70°C.	-20°C to +70°C.
Mouldings:		Glass Filled Nylon (black) UL94H-B	Glass Filled Nylon (black) UL94H-B
Mates With:		PX0956/S, PX0957/S, PX0958/S	PX0956/P, PX0957/P, PX0958/P

NEW



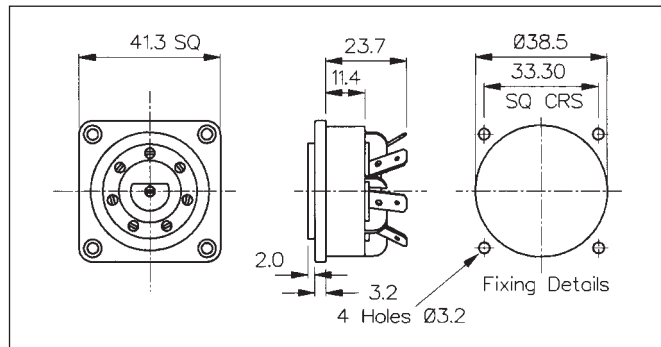
PX0957/P



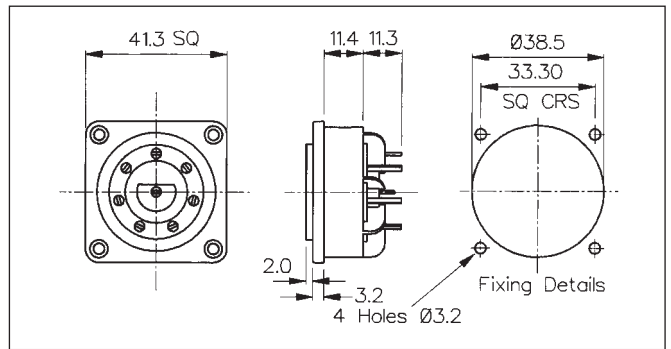
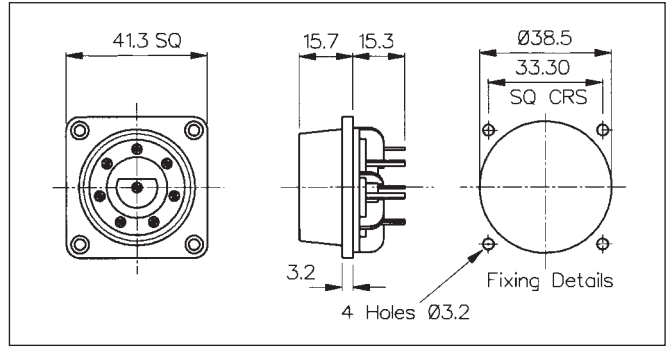
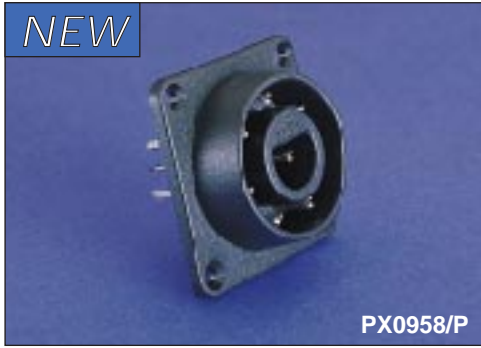
NEW



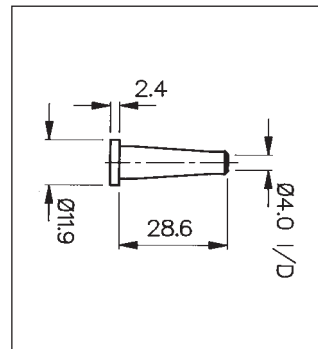
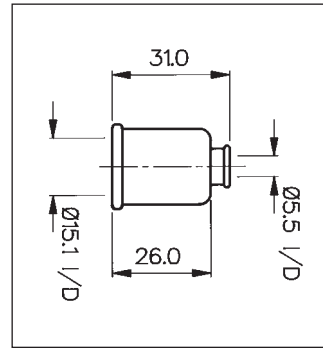
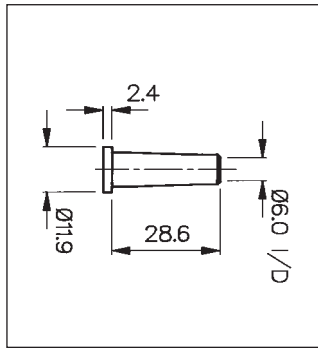
PX0957/S



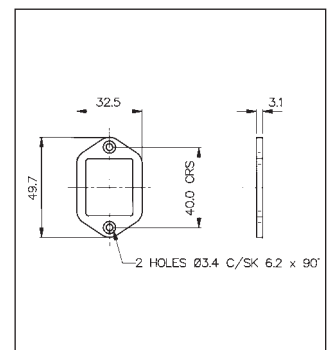
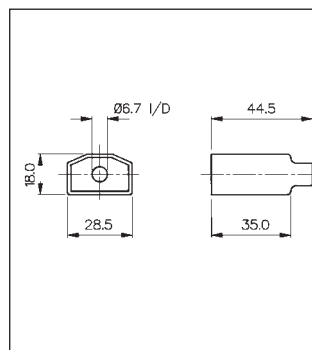
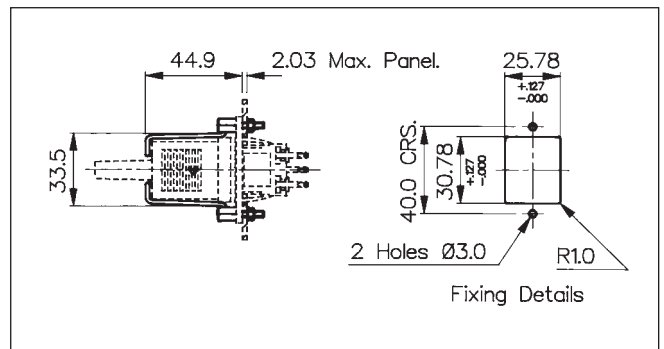
Data	List No.	PX0957/P	PX0957/S
Terminations:		4.8 Tab Solder Tag.	4.8 Tab Solder Tag.
Max. Rating:		6A. 250V a.c.	6A. 250V a.c.
Contact Resistance:		< 10mΩ.	< 10mΩ.
Insulation Resistance:		>10 ⁸ MΩ @ 500V d.c.	>10 ⁸ MΩ @ 500V d.c.
A.C. Breakdown:		Pole-Pole 5kV. Pole- Exterior parts 6.2kV.	Pole-Pole 6.4kV. Pole- Exterior parts/Panel 5kV.
Operating Temp. Range:		-20°C to +70°C.	-20°C to +70°C.
Mouldings:		Glass Filled Nylon (black) UL94H-B	Glass Filled Nylon (black) UL94H-B
Mates With:		PX0956/S, PX0957/S, PX0958/S	PX0956/P, PX0957/P, PX0958/P



Data	List No.	PX0958/P	PX0958/S
Terminations:		P.C. Spills	P.C. Spills
Max. Rating:		6A. 250V a.c.	6A. 250V a.c.
Contact Resistance:		< 10mΩ.	< 10mΩ.
Insulation Resistance:		>10 ⁶ MΩ @ 500V d.c.	>10 ⁶ MΩ @ 500V d.c.
A.C. Breakdown:		Pole-Pole 5kV. Pole-Exterior parts 6.2kV.	Pole-Pole 6.4kV. Pole-Exterior parts/Panel 5kV.
Operating Temp. Range:		-20°C to +70°C.	-20°C to +70°C.
Mouldings:		Glass Filled Nylon (black) UL94H-B	Glass Filled Nylon (black) UL94H-B
Mates With:		PX0956/S, PX0957/S, PX0958/S	PX0956/P, PX0957/P, PX0958/P



Data \ List No.	PNo 10936/10	PNo 8819/10	PNo 9455		
Type:	Cable Sleeve.	Cable Sleeve.	Insulation Cover.		
Temp. Range:	-20°C to +60°C.	-20°C to +60°C.	-20°C to +60°C.		
Material:	PVC.	PVC.	PVC.		
Fits:	PX0646, PX0649.	PX0636.	PX0429, PX0635, PX0650, SA2368, SA2404.		
Max. Working Voltage:			250V a.c.		
Flash Tested:			2kV. a.c.		



Data	List No.	KT0007	PNo 12128	PNo 11610 & /1		
Type:		Retaining Clips to Prevent Accidental removal of Connector.	Insulation Cover.	Adaptors to convert PX0780 to flange fixing with PNo. 11610 (countersunk hole) PNo. 11610/1 (without countersunk hole).		
Temp. Range:			-20°C to +60°C.	-40°C to +70°C.		
Material:		Clip Stainless Steel. All other part Brass, Nickel Plated.	PVC.	Glass Filled Nylon.		
Fits:		PX0780 plus PNo. 11610/1.	PX0780 (see page 76)	PX0780 (see page 76)		
Max. Working Voltage:			250V.a.c.			
Flash Tested:			2kV .a.c.			

X-ON Electronics

Largest Supplier of Electrical and Electronic Components

Click to view similar products for [Spiral Wraps, Sleeves, Tubing & Conduit](#) category:

Click to view products by [Bulgin](#) manufacturer:

Other Similar products are found below :

[CTA-0053](#) [8423-6](#) [8426-11](#) [8429-9](#) [25](#) [202C302-13-0](#) [RAY-103-10.0\(100\)](#) [RAY-103-4.0\(100\)](#) [4627-S](#) [5026790001](#) [100-003A1000](#) [102-060-008](#) [103-013-012](#) [5356510001](#) [8445-2.5](#) [24028-1](#) [100-001A203](#) [121-103-1-1-09BFTTH](#) [420AJ001Z11402](#) [T25R-M](#) [SAS-090-1-1048-1X](#) [SAS-160-1-1030-0](#) [RAY-101-3.0\(100\)](#) [8428-18](#) [8429-12](#) [8659](#) [8328](#) [100-003A750](#) [100-003A109](#) [102-072-008](#) [HC1B-7008-0312-0](#) [2030758-3](#) [22A00010-0DH16](#) [100-003A078](#) [OSPU 10](#) [CS-A900T](#) [THP6B](#) [330.012.2](#) [330.012.3](#) [330.016.2](#) [330.020.3](#) [373.016.2](#) [CYLG-29B](#) [61747000](#) [61806130](#) [61806140](#) [166-30730](#) [162-20100](#) [348.016.1](#) [3110000817](#)