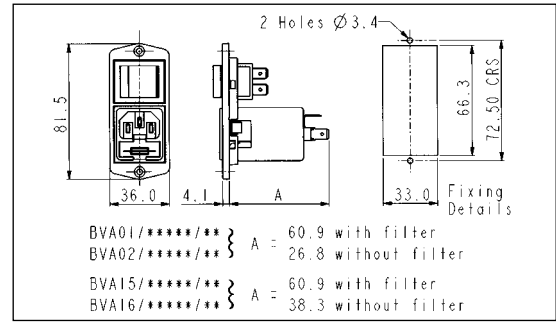


C14 IEC Fused Inlet - Polyflange

VERTICAL MODULE ARRANGEMENT



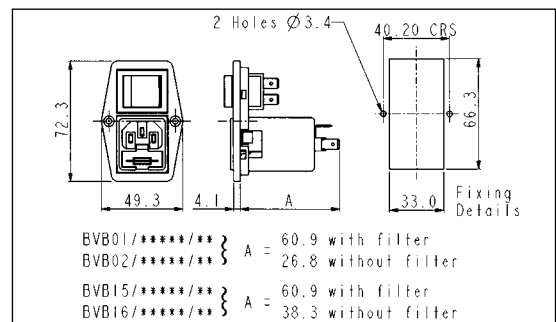
- Fused Inlet with 2.8mm or 6.3mm tags
- Screw Fixing to Panel
- Double Pole Switch Variations
- Filtered Inlet Option
- Options of I/O marked switches



VERTICAL MODULE ARRANGEMENT



- Fused Inlet with 2.8mm or 6.3mm tags
- Screw Fixing to Panel
- Double Pole Switch Variations
- Filtered Inlet Option
- Options of I/O marked switches



How to Order

**BVx xx / xxxxx / xx**

Flange Type	Type of Inlet / Outlet	Filtered or Non Filtered Inlet	Combination of Other Components
<p><b>A</b> = Top fixing</p> <p><b>B</b> = Side fixing</p>	<p>Fused C14 Power Inlet (cold condition), 6.3 or 2.8mm tabs:</p> <p><b>01</b> = PF0011/63  <b>02</b> = PF0011/28</p> <p>Twin Fused C14 Power Inlet (cold condition), 6.3 or 2.8mm tabs:</p> <p><b>15</b> = PF0033/63  <b>16</b> = PF0033/28</p>	<p>Z0000 = Non Filtered</p> <p>Axxxx = Standard</p> <p>Bxxxx = Medical</p> <p>Cxxxx = High Performance Standard (Single Fuse Version only)</p> <div style="border: 1px solid black; padding: 5px; margin-top: 10px;"> <p>For Filtered inlet use 6th to 9th characters from filter ordering code see pages 115-118.</p> <p>E.g. BVA01/<b>A0620</b>/10</p> </div>	<p>Neon Indicator:</p> <p><b>D3</b> = Red Neon Indicator</p> <p>Double Pole Switch:</p> <p><b>10</b> = D.P. Switch</p> <p>Double Pole Neon Switch:</p> <p><b>11</b> = D.P. Red Neon Switch  <b>12</b> = D.P. Green Neon Switch</p> <p>Double Pole High Inrush Switch:</p> <p><b>13</b> = D.P. High Inrush Switch</p> <p>Double Pole Switch Marked I/O:</p> <p><b>70</b> = D.P. Switch (I/O)</p> <p>Double Pole Neon Switch Marked (I/O):</p> <p><b>76</b> = D.P. Red Neon Switch (I/O)  <b>77</b> = D.P. Green Neon Switch (I/O)</p> <p>Double Pole High Inrush Switch Marked (I/O):</p> <p><b>78</b> = D.P. High Inrush Switch (I/O)  <b>B1</b> = D.P. High Inrush Green Neon Switch (I/O)</p>

Note: For technical details of individual components please see page 92

## X-ON Electronics

Largest Supplier of Electrical and Electronic Components

*Click to view similar products for [AC Power Entry Modules](#) category:*

*Click to view products by [Bulgin](#) manufacturer:*

Other Similar products are found below :

[6609100-2](#) [7-6609955-2](#) [FN361-6-06](#) [FN9233S1-10-06](#) [FN9233S1-8-06](#) [FN9233S1B-8-06](#) [FN9233S1R-1-06](#) [FN9233S1R-12-06](#)  
[FN9233SB-1-06](#) [FN9233SB-12-06](#) [FN9233SB-8-06](#) [FN9233SR-10-06](#) [FN9244B-15-06HI](#) [FN9244EB-3-06](#) [FN9244EB-8-06](#) [FN9244ER-15-06](#) [FN9244ER-8-06](#) [FN9244ES1-8-06](#) [FN9244ESB-8-06](#) [FN9244R-12-06](#) [FN9244R-3-07](#) [FN9244S-10-06](#) [FN9244S1-12-06](#) [FN9244S1R-3-06](#) [FN9244SB-8-06](#) [FN9244SR-10-06](#) [FN9244SR-3-06](#) [FN9244U-3-06](#) [FN9244U-8-06](#) [FN9260A-6-06](#) [PE00SSSXB](#) [Fuse-H-EUR-1](#)  
[PM00XD000](#) [15EJMS8](#) [1-6609941-2](#) [200JM6-2](#) [CA121003-6](#) [FN323-1-05](#) [FN9233ES1R-10-06](#) [FN9233R-12-06](#) [FN9233S-10-06](#)  
[FN9233S1B-10-06](#) [FN9233S1B-12-06](#) [FN9233S1B-6-06](#) [FN9233U-6-06](#) [FN9244-6-07](#) [FN9244B-12-06HI](#) [FN9244EB-10-06](#) [FN9244EB-1-06](#) [FN9244ER-15-06HI](#)