

BATTERY HOLDERS



BATTERY HOLDERS

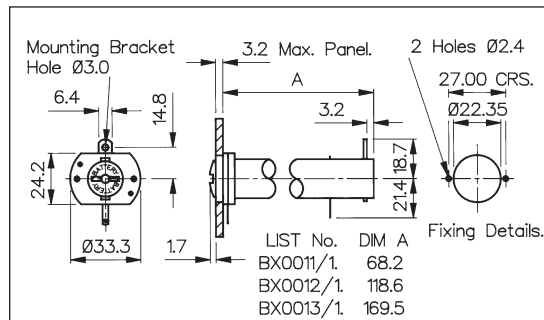
Panel Mounting

AA SIZE BATTERY HOLDER

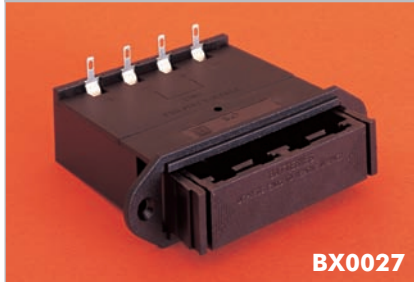


BX0011/1

- 1, 2 or 3 Cells
- Flanged Panel Mount
- Bayonet/Screwdriver release

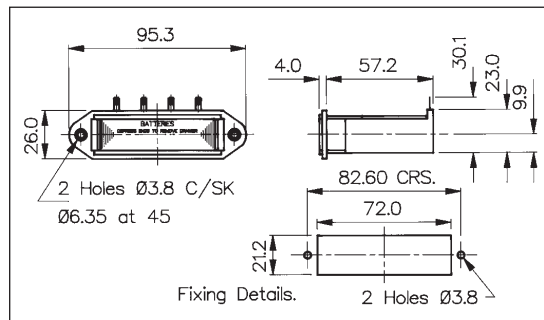


AA SIZE BATTERY HOLDER



BX0027

- 4 Cells
- Flanged Panel Mount
- Drawer function

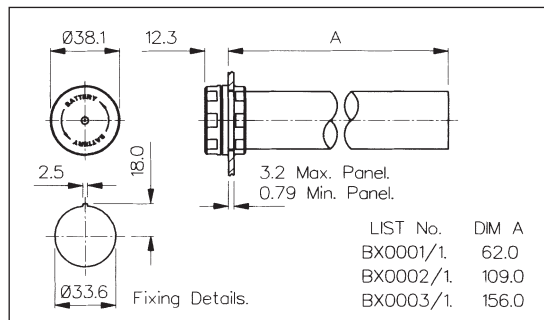


C SIZE BATTERY HOLDER



BX0001/1

- 1, 2 or 3 Cells
- Panel Mount
- Screw Cap/Hand release



Specification	BX0011/1, BX0012/1, BX0013/1	BX0027	BX0001/1, BX0002/1, BX0003/1
Battery/Cell Type:	AA (R6)	AA (R6)	C (R14)
No. Cells:	BX0011/1 - 1 cell BX0012/1 - 2 cells BX0013/1 - 3 cells	4 cells	BX0001/1 - 1 cell BX0002/1 - 2 cells BX0003/1 - 3 cells
Terminations:	2.8 series tabs/solder tags	4 solder tags (can be wired in series or in pairs)	2.8 series tabs/solder tags
Operating Temperature:	-30°C to +70°C	-30°C to +70°C	-30°C to +70°C
Flammability Rating:	UL94V-0	UL94V-0	UL94V-0
Mouldings:	Glass Filled Nylon & Polyester	Glass Filled Nylon	Nylon & Glass Filled Nylon
Contacts:	Brass, Tin Plated Nickel Silver, clean	Phosphor Bronze, Tin Plated Nickel Silver, clean	Nickel Silver, clean Brass, Tin Plated
Features:	Bayonet cap with coin slot Rear support bracket	Removable loading/latching drawer	Screw on cap. Recommended torque for panel ring 1.13-1.7Nm (10-15lbf.in)
Notes:	Recommend 2 & 3 cell versions are supported by rear bracket		
RoHS	Compliant	Compliant	Compliant

X-ON Electronics

Largest Supplier of Electrical and Electronic Components

Click to view similar products for [Cylindrical Battery Contacts, Clips, Holders & Springs](#) category:

Click to view products by [Bulgin](#) manufacturer:

Other Similar products are found below :

[753-00001](#) [12BH36A-GR](#) [200](#) [183](#) [270](#) [QX3506](#) [5220](#) [5230](#) [1055](#) [1088](#) [5250](#) [166](#) [591](#) [KT0008](#) [1119](#) [254TR](#) [5207](#) [1121](#) [246](#)
[4027003022001-PK](#) [12BHC186P2-GR](#) [AB2032.0](#) [4006211354](#) [4006211302](#) [392/SR41SW](#) [GP B1](#) [9V \(6LR61\)](#) [PX1604](#) [LR06 INDUSTRIAL](#)
[INTENSE](#) [LR03 INDUSTRIAL INTENSE](#) [24223](#) [OKY3399-7](#) [VARTA HIGH ENERGY LONG POWER](#) [4003211302](#) [4003211304](#)
[MN1500 ULTRA POWER B8](#) [GP24E](#) [SR714SW](#) [VARTA B1](#) [OKY3399-1](#) [OKY3399-4](#) [BH-421-3P](#) [BH-483B](#) [BH143-2D](#) [PCM-F04S40](#)
[DALY](#) [5000394132023](#) [LR14 INDUSTRIAL](#) [7638900361070](#) [GP 14AUP](#) [LR20 INDUSTRIAL](#) [GP13AUP-2UE2](#) [LR3/AAA/MN2400\(K18\)](#)
[ECONOMY PACK](#) [MX2400 ULTRA POWER](#)