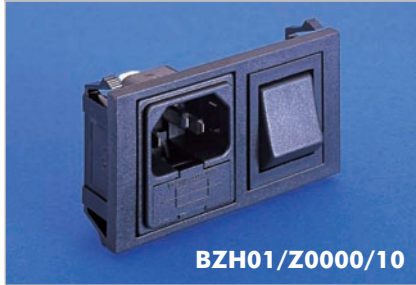


# POLYSNAP® POWER INLET MODULES

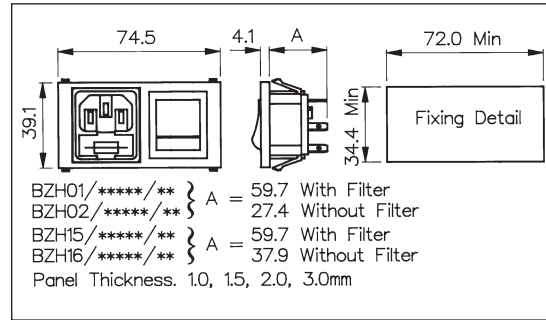


## C14 IEC Fused Inlet - Horizontal

### HORIZONTAL MODULE ARRANGEMENT



- Fused Inlet with 2.8mm or 6.3mm tags
- Double Pole Switch Variations
- Filtered Inlet Option
- Options of I/O marked switches



### How to Order

**BZH xx / xxxxx / xx**

#### Type of Inlet / Outlet

Single Fused C14 Power Inlet (cold condition), 2.8 or 6.3mm tabs:

- 01** = PF0011/63
- 02** = PF0011/28

Twin Fused C14 Power Inlet (cold condition), 2.8 or 6.3mm tabs:

- 15** = PF0033/63
- 16** = PF0033/28

#### Filtered or Non Filtered Inlet

- Z0000 = Non Filtered
- Axxxx = Standard
- Bxxxx = Medical (Twin Fuse Version only)

For Filtered inlet use 6th to 9th characters from filter ordering code see pages 127-129.

E.g. BZH01/**A0620**/10

#### Combination of Other Components

- Neon Indicator:
- 03** = Red Neon Indicator
- Double Pole Switch:
- 10** = D.P. Switch
- Double Pole Neon Switch:
- 11** = D.P. Red Neon Switch
  - 12** = D.P. Green Neon Switch
- Double Pole High Inrush Switch:
- 13** = D.P. High Inrush Switch
- Double Pole Switch marked I/O:
- 70** = D.P. Switch (I/O)
- Double Pole Neon Switch Marked (I/O):
- 76** = D.P. Red Neon Switch (I/O)
  - 77** = D.P. Green Neon Switch (I/O)
- Double Pole High Inrush Switch Marked (I/O):
- 78** = D.P. High Inrush Switch (I/O)
  - B1** = D.P. High Inrush Green Neon Switch (I/O)

IEC CONNECTORS

Note: For technical details of individual components please see page 106

## X-ON Electronics

Largest Supplier of Electrical and Electronic Components

*Click to view similar products for [AC Power Entry Modules](#) category:*

*Click to view products by [Bulgin](#) manufacturer:*

Other Similar products are found below :

[0098.0050](#) [6167.0002](#) [6609100-2](#) [7-6609955-2](#) [FKI2-50-6/M5](#) [FN361-6-06](#) [FN389-4-22](#) [FN9226B-6-02](#) [FN9233S1-10-06](#) [FN9233S1-8-06](#)  
[FN9233S1B-8-06](#) [FN9233S1R-1-06](#) [FN9233S1R-12-06](#) [FN9233SB-1-06](#) [FN9233SB-12-06](#) [FN9233SB-8-06](#) [FN9233SR-10-06](#) [FN9244B-15-06HI](#) [FN9244EB-3-06](#) [FN9244EB-8-06](#) [FN9244ER-15-06](#) [FN9244ER-8-06](#) [FN9244ES1-8-06](#) [FN9244ESB-8-06](#) [FN9244R-12-06](#)  
[FN9244S1-12-06](#) [FN9244S1R-3-06](#) [FN9244SB-8-06](#) [FN9244SR-6-06](#) [FN9244U-3-06](#) [FN9244U-8-06](#) [8-6609940-2](#) [PE00SSSXB](#) [Fuse-H-EUR-1](#) [Fuse-H-USA-1](#) [PM00XD000](#) [A-0701-HT-H](#) [15EJMS8](#) [1-6609941-2](#) [200JM6-2](#) [CA121003-6](#) [SK-1015\(F1-5\)](#) [161-R3015-E](#) [1-6609153-2](#) [FN323-1-05](#) [FN9233B-8-06](#) [FN9233EB-1-06](#) [FN9233ES1R-10-06](#) [FN9233R-12-06](#) [FN9233S-10-06](#)