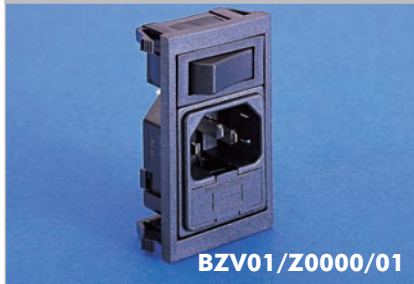
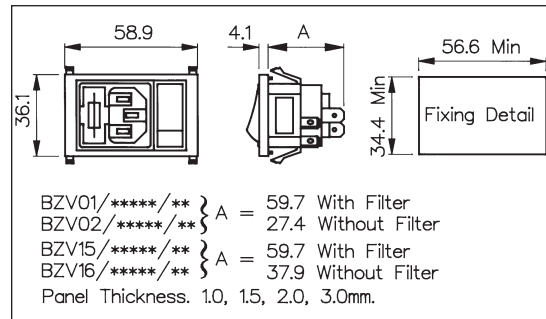


C14 IEC Fused Inlet - Vertical

VERTICAL MODULE ARRANGEMENT



- Fused Inlet with 2.8mm or 6.3mm tags
- Single Pole Switch Variations
- Filtered Inlet Option
- Options of I/O marked switches



How to Order

BZV xx / xxxxx / xx

Type of Inlet / Outlet

Single Fused C14 Power Inlet (cold condition), 6.3 or 2.8mm tabs:

- 01** = PF0011/63
- 02** = PF0011/28

Twin Fused C14 Power Inlet (cold condition), 6.3 or 2.8mm tabs:

- 15** = PF0033/63
- 16** = PF0033/28

Filtered or Non Filtered Inlet

- Z0000 = Non Filtered
- Axxxx = Standard
- Bxxxx = Medical (Twin Fuse Version only)

For Filtered inlet use 6th to 9th characters from filter ordering code see pages 127-129.

E.g. BZV01/**A0620**/01

Combination of Other Components

Single Pole Switch:

- 01** = S.P. Switch

Single Pole Neon Switch:

- 02** = S.P. Red Neon Switch
- 08** = S.P. Green Neon Switch

Neon Indicator:

- 03** = Red Neon Indicator

Single Pole High Inrush Switch:

- 46** = S.P. High Inrush Switch

Single Pole Switch Marked I/O:

- 69** = S.P. Switch (I/O)

Single Pole Neon Switch Marked (I/O):

- 71** = S.P. Red Neon Switch (I/O)
- 74** = S.P. Green Neon Switch (I/O)

Single Pole High Inrush Switch Marked (I/O):

- 98** = S.P. High Inrush Switch (I/O)

IEC CONNECTORS

Note: For technical details of individual components please see page 106

X-ON Electronics

Largest Supplier of Electrical and Electronic Components

Click to view similar products for [AC Power Entry Modules](#) category:

Click to view products by [Bulgin](#) manufacturer:

Other Similar products are found below :

[0098.0050](#) [6167.0002](#) [6609100-2](#) [7-6609955-2](#) [FKI2-50-6/M5](#) [FN361-6-06](#) [FN389-4-22](#) [FN9226B-6-02](#) [FN9233S1-10-06](#) [FN9233S1-8-06](#)
[FN9233S1B-8-06](#) [FN9233S1R-1-06](#) [FN9233S1R-12-06](#) [FN9233SB-1-06](#) [FN9233SB-12-06](#) [FN9233SB-8-06](#) [FN9233SR-10-06](#) [FN9244B-15-06HI](#) [FN9244EB-3-06](#) [FN9244EB-8-06](#) [FN9244ER-15-06](#) [FN9244ER-8-06](#) [FN9244ES1-8-06](#) [FN9244ESB-8-06](#) [FN9244R-12-06](#)
[FN9244S1-12-06](#) [FN9244S1R-3-06](#) [FN9244SB-8-06](#) [FN9244SR-6-06](#) [FN9244U-3-06](#) [FN9244U-8-06](#) [8-6609940-2](#) [PE00SSSXB](#) [Fuse-H-EUR-1](#) [Fuse-H-USA-1](#) [PM00XD000](#) [A-0701-HT-H](#) [15EJMS8](#) [1-6609941-2](#) [200JM6-2](#) [CA121003-6](#) [SK-1015\(F1-5\)](#) [161-R3015-E](#) [1-6609153-2](#) [FN323-1-05](#) [FN9233B-8-06](#) [FN9233EB-1-06](#) [FN9233ES1R-10-06](#) [FN9233R-12-06](#) [FN9233S-10-06](#)