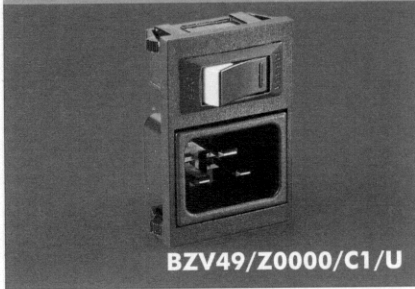
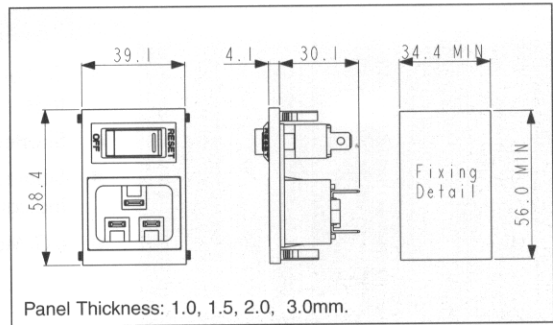


C20 IEC Inlet with Circuit Breaker

VERTICAL MODULE ARRANGEMENT

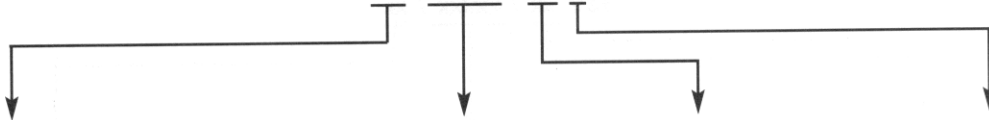


- Inlet with 4.8mm or 6.3mm tags
- Single pole circuit breaker
- Illuminated (red or green) and non-illuminated rocker
- 125Vac and 250Vac Neons
- 6.3mm tabs on Circuit Breaker



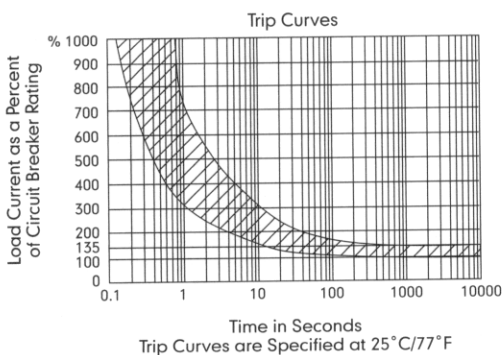
How to Order

BZV xx / Zxxxx / xx x



Type of Inlet	Non Filtered Inlet	Switch Button	Trip Current
C20 power inlet, 6.3 or 4.8mm tabs: 49 = PX0598/63 50 = PX0598/48	Z0000 = Non Filtered	C1 = Non-Illuminated C2 = Red Neon (125Vac) C3 = Green Neon (125Vac) C4 = Red Neon (250Vac) C5 = Green Neon (250Vac)	Q = 5.0A T = 8.0A U = 10.0A X = 15.0A Y = 16.0A Z = 20.0A

Note: For technical details of individual components also see page 92



Capacity Correction Factors for Ambient Temperatures
Current Rating 5 to 15A

Temperature °C	-10	-20	-25	-30	-40	-50	-60
Correction Factor	.90	.95	1.00	1.10	1.32	1.61	2.15

Circuit Breaker Approvals:



X-ON Electronics

Largest Supplier of Electrical and Electronic Components

Click to view similar products for [AC Power Entry Modules](#) category:

Click to view products by [Bulgin](#) manufacturer:

Other Similar products are found below :

[0098.0050](#) [6167.0002](#) [6609100-2](#) [7-6609955-2](#) [FKI2-50-6/M5](#) [FN361-6-06](#) [FN389-4-22](#) [FN9226B-6-02](#) [FN9233S1-10-06](#) [FN9233S1-8-06](#)
[FN9233S1B-8-06](#) [FN9233S1R-1-06](#) [FN9233S1R-12-06](#) [FN9233SB-1-06](#) [FN9233SB-12-06](#) [FN9233SB-8-06](#) [FN9233SR-10-06](#) [FN9244B-15-06HI](#) [FN9244EB-3-06](#) [FN9244EB-8-06](#) [FN9244ER-15-06](#) [FN9244ER-8-06](#) [FN9244ES1-8-06](#) [FN9244ESB-8-06](#) [FN9244R-12-06](#)
[FN9244S1-12-06](#) [FN9244S1R-3-06](#) [FN9244SB-8-06](#) [FN9244SR-6-06](#) [FN9244U-3-06](#) [FN9244U-8-06](#) [8-6609940-2](#) [PE00SSSXB](#) [Fuse-H-EUR-1](#) [Fuse-H-USA-1](#) [PM00XD000](#) [A-0701-HT-H](#) [15EJMS8](#) [1-6609941-2](#) [200JM6-2](#) [CA121003-6](#) [SK-1015\(F1-5\)](#) [161-R3015-E](#) [1-6609153-2](#) [FN323-1-05](#) [FN9233B-8-06](#) [FN9233EB-1-06](#) [FN9233ES1R-10-06](#) [FN9233R-12-06](#) [FN9233S-10-06](#)