

# FUSEHOLDERS



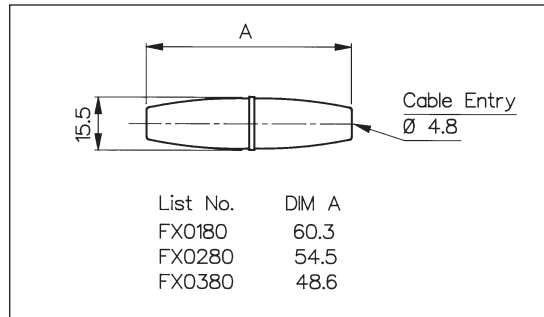
## In-Line PC1 and In-Line Sealed to IP66, PC1

**IN-LINE**




- Protection Category PC1
- Fuse Sizes 5 x 20mm, 6.3 x 25mm and 6.3 x 32mm
- Screw Terminal (Solder to order)
- 10A, 50V (250V Inaccessible)
- UL Approved
- Clear or black

**FX0180, FX0280, FX0380**

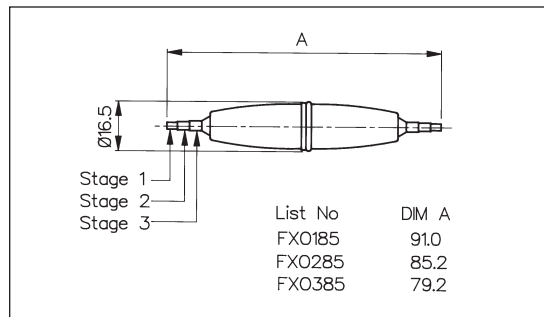


**IN-LINE**



- Sealed to IP66
- Protection Category PC1
- Fuse Sizes 5 x 20mm, 6.3 x 25mm and 6.3 x 32mm
- Screw Terminal (Solder to order)
- 10A, 50V (250V Inaccessible)
- UL Approved
- Clear or black

**FX0185, FX0285, FX0385**



FUSEHOLDERS

| Specification   | FX0180, FX0280, FX0380/Colour                             | FX0185, FX0285, FX0385/Colour   |
|---|---|---|
| <b>Fuse Size:</b>   | 5 x 20mm FX0380<br>6.3 x 25mm FX0280<br>6.3 x 32mm FX0180 | 5 x 20mm FX0385<br>6.3 x 25mm FX0285<br>6.3 x 32mm FX0185   |
| <b>Cable Acceptance:</b>                                    | 1mm <sup>2</sup> conductor (max.)                         | 1mm <sup>2</sup> conductor (max.)<br>1mm to 2.64mm overall diameter<br>Stepped grommet:<br>Stage 1: 1.00mm to 1.40mm<br>Stage 2: 1.50mm to 1.90mm<br>Stage 3: 2.0mm to 2.64mm |
| <b>Terminations:</b>  | Screw terminal (solder to order)                          | Screw Terminal (solder to order)  |
| <b>Max. Rating:</b>   | 10A, 50V (250V where inaccessible inside equipment)       | 10A, 50V (250V where inaccessible inside equipment)   |
| <b>Insulation Resistance:</b>                               | >10 <sup>5</sup> MΩ @ 500V d.c.                           | >10 <sup>5</sup> MΩ @ 500V d.c.   |
| <b>High Voltage Proof Test:</b>                             | 2kV (50Hz for 1 minute)                                   | 2kV (50Hz for 1 minute)   |
| <b>Contact Resistance:</b>                                  | <10mΩ   | <10mΩ   |
| <b>Operating Temp.: (ambient air temp + fuse temp rise)</b> | -20°C to +90°C  | -20°C to +70°C  |
| <b>Sealing:</b>   |   | Protection Classification IP66<br>BS60529: 1992   |
| <b>Mouldings:</b>   |   |   |
| Body - Clear:   | Polybutene UL94HB rated                                   | Polybutene UL94HB rated   |
| Body - Black:   | Nylon 6 UL94V-0 rated                                     | Nylon 6 UL94V-0 rated   |
| Grommet:  |   | PVC   |
| O Ring:   |   | Nitrile   |
| <b>Contacts:</b>  |   |   |
| Terminals:  | Brass, Nickel Plated                                      | Brass, Nickel Plated  |
| Grub Screw:   | Stainless Steel   | Stainless Steel   |
| <b>Approvals:</b>   |   |   |
| <b>Colour:</b>  | Clear - no suffix, /BK - Black                            | Clear - no suffix, /BK - Black  |
| <b>RoHS</b>   | Compliant   | Compliant   |

## X-ON Electronics

Largest Supplier of Electrical and Electronic Components

*Click to view similar products for [Fuse Holder](#) category:*

*Click to view products by [Bulgin](#) manufacturer:*

Other Similar products are found below :

[570-290-741P40](#) [570-290-751P40](#) [020417G](#) [020418E](#) [6R30A1B](#) [F600A3B](#) [80910030](#) [8601.2020](#) [G15A2SPQ](#) [9-3557-GP REV A](#) [HDJ-B](#)  
[R6J30A3S](#) [HFH-1](#) [RF30A1S](#) [RF30A2B](#) [RF30A3SP](#) [15600-08-10](#) [BK/FHN19G](#) [BK/HHM](#) [BK/HKP-CCHH](#) [BK/HKP-JJ](#) [BK/HTJ-LES-](#)  
[FUSE](#) [HMG-241](#) [HTJ-LES-FUSE](#) [C4044-1](#) [2086-1](#) [2193](#) [2602](#) [2650](#) [178.000100](#) [FHN31G1](#) [T30A2B](#) [G4PB8](#) [2660](#) [2799](#) [CQ-209V](#) [HKP-](#)  
[CCHH](#) [R6F30A2S](#) [341001A](#) [345621A](#) [CVRMCC](#) [4202](#) [4407](#) [4408](#) [4413](#) [4423](#) [4532](#) [4537](#) [TSD1404-12](#) [BK/FHN31G1](#)