

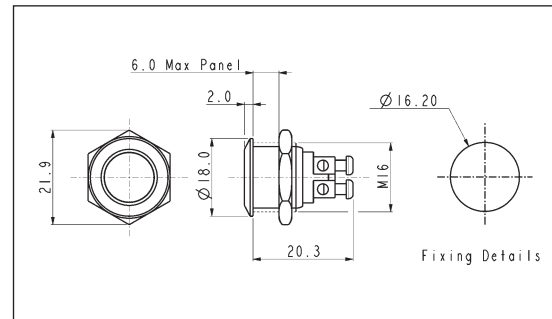
**Stainless Steel - Momentary**

**FLUSH PROFILE**



**MP0042/1**

- 18mm bezel diameter
- 16mm panel hole
- S.P. Push to make
- Polished finish
- 2A, 48Vdc

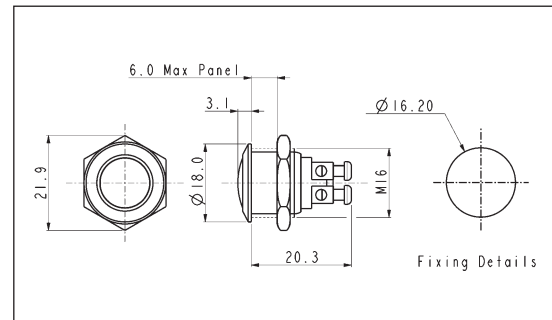


**DOMED PROFILE**



**MP0042/2**

- 18mm bezel diameter
- 16mm panel hole
- S.P. Push to make
- Polished finish
- 2A, 48Vdc

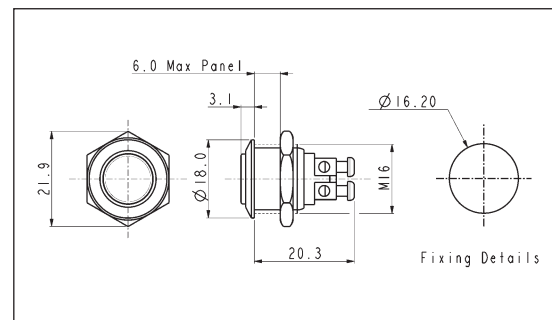


**PROMINENT BUTTON**



**MP0042/3**

- 18mm bezel diameter
- 16mm panel hole
- S.P. Push to make
- Polished finish
- 2A, 48Vdc



| Specification           | MP0042/1                            | MP0042/2                            | MP0042/3                            |
|-------------------------|-------------------------------------|-------------------------------------|-------------------------------------|
| Terminations:           | Screw Terminals                     | Screw Terminals                     | Screw Terminals                     |
| Switching:              | S.P. Push to Make                   | S.P. Push to Make                   | S.P. Push to Make                   |
| Max. Rating:            | 2A, 48Vdc                           | 2A, 48Vdc                           | 2A, 48Vdc                           |
| Contact Resistance:     | 50mΩ at 1A, 2V                      | 50mΩ at 1A, 2V                      | 50mΩ at 1A, 2V                      |
| Insulation Resistance:  | >10 <sup>3</sup> MΩ @ 500Vdc        | >10 <sup>3</sup> MΩ @ 500Vdc        | >10 <sup>3</sup> MΩ @ 500Vdc        |
| Dielectric Strength:    | >2.0kVac                            | >2.0kVac                            | >2.0kVac                            |
| Operating Temp. Range:  | -20°C to +55°C                      | -20°C to +55°C                      | -20°C to +55°C                      |
| Operations              |                                     |                                     |                                     |
| Mechanical:             | 1,000,000 (min)                     | 1,000,000 (min)                     | 1,000,000 (min)                     |
| Electrical:             | 100,000 (min)                       | 100,000 (min)                       | 100,000 (min)                       |
| Rear Nut Fixing Torque: | 12Nm                                | 12Nm                                | 12Nm                                |
| Materials               |                                     |                                     |                                     |
| Mouldings:              | Nylon                               | Nylon                               | Nylon                               |
| Tags/Terminations:      | Brass, Silver Plated                | Brass, Silver Plated                | Brass, Silver Plated                |
| Switch Body & Button:   | Stainless Steel (Polished)          | Stainless Steel (Polished)          | Stainless Steel (Polished)          |
| Contacts:               | Silver                              | Silver                              | Silver                              |
| Variants:               | Gold Plated Brass version available | Gold Plated Brass version available | Gold Plated Brass version available |
| <b>RoHS</b>             | Compliant                           | Compliant                           | Compliant                           |

## X-ON Electronics

Largest Supplier of Electrical and Electronic Components

*Click to view similar products for [Pushbutton Switches](#) category:*

*Click to view products by [Bulgin](#) manufacturer:*

Other Similar products are found below :

[8940K2012](#) [LW1L-M1C10V-A](#) [LW1L-M1C70-A](#) [LW2L-A1C20M-GD](#) [LW2L-M1C20M-A](#) [60324L](#) [M22-D-R-GB0/K11](#) [M7E-HRN2](#)  
[67021K512](#) [67081K512X](#) [701PB580](#) [7199K101](#) [810K12910](#) [810KSV30B](#) [MML21EA2ADK](#) [MML21KA3ABK](#) [MML23KA3AC05K-001](#)  
[MML23KW3AA01W](#) [8418K2](#) [8442K3](#) [8450K1](#) [860K11911T01A](#) [861901](#) [861K11911T01A07](#) [861K13810T00A14](#) [861K13911](#)  
[8646AB6X718UL](#) [8646ABUL](#) [9001KXRK](#) [907AYY100](#) [PMHD155A1](#) [9533CD4+U574+U4922](#) [95-414.000](#) [99-450.837](#) [99-453.837](#)  
[PV3H2B0NN-341](#) [1203MRA](#) [A22NZBGANGA](#) [A22NZBNANGA](#) [A22NZMPATRA](#) [A2PMA1X03EC56](#) [A3A-5123-02](#) [A3A-7140](#) [A3A-7310](#) [A3A-7340](#) [A3U-TMW-A2C-5M](#) [A595](#) [12037A2ULCSA](#) [ABD122N-B](#) [1211390004](#)