

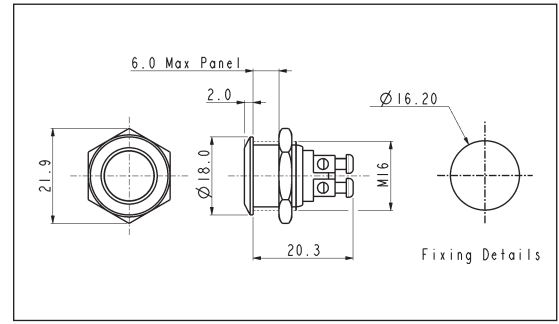
**Stainless Steel - Momentary**

**FLUSH PROFILE**



**MP0042/1**

- 18mm bezel diameter
- 16mm panel hole
- S.P. Push to make
- Polished finish
- 2A, 48V d.c.

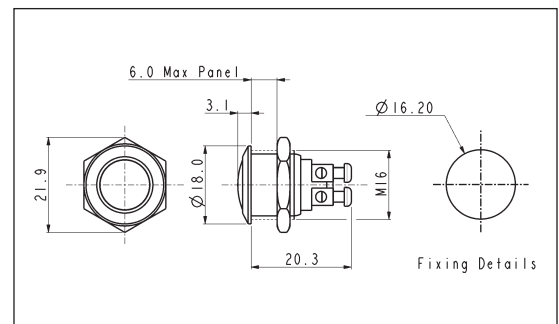


**DOMED PROFILE**



**MP0042/2**

- 18mm bezel diameter
- 16mm panel hole
- S.P. Push to make
- Polished finish
- 2A, 48V d.c.

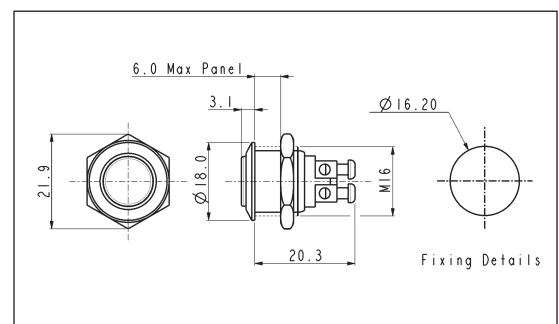


**PROMINENT BUTTON**



**MP0042/3**

- 18mm bezel diameter
- 16mm panel hole
- S.P. Push to make
- Polished finish
- 2A, 48V d.c.



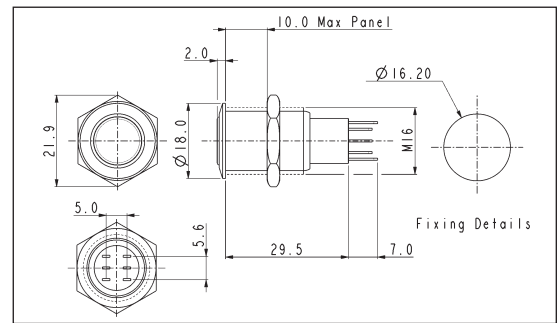
| Specification           | MP0042/1                            | MP0042/2                            | MP0042/3                            |
|-------------------------|-------------------------------------|-------------------------------------|-------------------------------------|
| Terminations:           | Screw Terminals                     | Screw Terminals                     | Screw Terminals                     |
| Switching:              | S.P. Push to Make                   | S.P. Push to Make                   | S.P. Push to Make                   |
| Max. Rating:            | 2A, 48V d.c.                        | 2A, 48V d.c.                        | 2A, 48V d.c.                        |
| Contact Resistance:     | 50mΩ at 1A, 2V                      | 50mΩ at 1A, 12V                     | 50mΩ at 1A, 12V                     |
| Insulation Resistance:  | >10 <sup>3</sup> MΩ @ 500V d.c.     | >10 <sup>3</sup> MΩ @ 500V d.c.     | >10 <sup>3</sup> MΩ @ 500V d.c.     |
| Dielectric Strength:    | >2.0kV a.c.                         | >2.0kV a.c.                         | >2.0kV a.c.                         |
| Operating Temp. Range:  | -20°C to +55°C                      | -20°C to +55°C                      | -20°C to +55°C                      |
| Operations              |                                     |                                     |                                     |
| Mechanical:             | 1,000,000 (min)                     | 1,000,000 (min)                     | 1,000,000 (min)                     |
| Electrical:             | 100,000 (min)                       | 100,000 (min)                       | 100,000 (min)                       |
| Rear Nut Fixing Torque: | 12Nm                                | 12Nm                                | 12Nm                                |
| Materials               |                                     |                                     |                                     |
| Mouldings:              | Nylon                               | Nylon                               | Nylon                               |
| Tags/Terminations:      | Brass, Silver Plated                | Brass, Silver Plated                | Brass, Silver Plated                |
| Switch Body & Button:   | Stainless Steel (Polished)          | Stainless Steel (Polished)          | Stainless Steel (Polished)          |
| Contacts:               | Silver                              | Silver                              | Silver                              |
| Variants:               | Gold Plated Brass version available | Gold Plated Brass version available | Gold Plated Brass version available |
| <b>RoHS</b>             | Compliant                           | Compliant                           | Compliant                           |

## Stainless Steel - Momentary

### LOW PROFILE



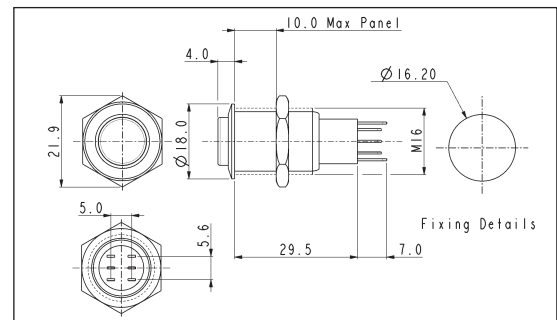
- 18mm bezel diameter
- 16mm fixing hole diameter
- D.P.C.O
- 3A, 250V



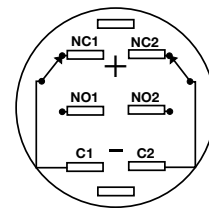
### PROMINENT BUTTON



- 18mm bezel diameter
- 16mm fixing hole diameter
- D.P.C.O
- 3A, 250V



### Contact Layout



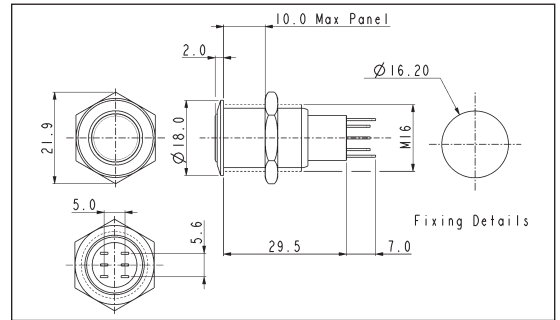
| Specification           | MP0045/1D0NN000  | MP0045/3D0NN000  |
|-------------------------|--|--|
| Terminations:           | Solder tags  | Solder Tags  |
| Switching:              | D.P.C.O Momentary Action                                 | D.P.C.O Momentary Action                                 |
| Max. Rating:            | 3A, 250V   | 3A, 250V   |
| Contact Resistance:     | 50mΩ max. @ 1A, 2V                                       | 50mΩ max. @ 1A, 2V                                       |
| Insulation Resistance:  | > 10 <sup>3</sup> MΩ @ 500V d.c.                         | > 10 <sup>3</sup> MΩ @ 500V d.c.                         |
| Dielectric Strength:    | > 2.0kV a.c.   | > 2.0kV a.c.   |
| Operating Temp. Range:  | -20°C to +55°C   | -20°C to +55°C   |
| Operations              |  |  |
| Mechanical:             | 200,000 (min)  | 200,000 (min)  |
| Electrical:             | 30,000 (min)   | 30,000 (min)   |
| Rear Nut Fixing Torque: | 12Nm max.  | 12Nm max.  |
| Materials               |  |  |
| Mouldings:              | Nylon  | Nylon  |
| Tags/Terminations:      | Brass, Silver Plated                                     | Brass, Silver Plated                                     |
| Switch Body & Button:   | Stainless Steel  | Stainless Steel  |
| Contacts:               | Silver   | Silver   |
| Variants:               | Nickel Plated Brass version available details on request | Nickel Plated Brass version available details on request |
| <b>RoHS</b>             | Compliant  | Compliant  |

Stainless Steel - Latching

LOW PROFILE



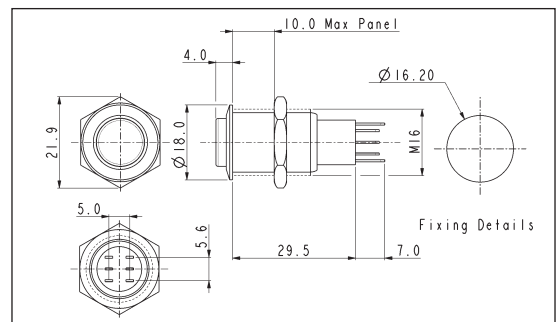
- 18mm bezel diameter
- 16mm fixing hole diameter
- D.P.C.O.
- 3A, 250V a.c.



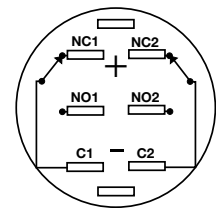
PROMINENT BUTTON



- 18mm bezel diameter
- 16mm fixing hole diameter
- D.P.C.O.
- 3A, 250V a.c.



Contact Layout



| Specification           | MP0045/1E0NN00                                    | MP0045/3E0NN00                                    |
|-------------------------|---|---|
| Terminations:           | Solder Tags                                       | Solder Tags                                       |
| Switching:              | D.P.C.O. - Latching Action                        | D.P.C.O. - Latching Action                        |
| Max. Rating:            | 3A, 250V  | 3A, 250V  |
| Contact Resistance:     | 50mΩ max. @ 1A, 2V                                | 50mΩ max. @ 1A, 2V                                |
| Insulation Resistance:  | >10 <sup>3</sup> MΩ @ 500V d.c.                   | >10 <sup>3</sup> MΩ @ 500V d.c.                   |
| Dielectric Strength:    | >2.0kV a.c.                                       | >2.0kV a.c.                                       |
| Operating Temp. Range:  | -20°C to +55°C                                    | -20°C to +55°C                                    |
| Operations              |   |   |
| Mechanical:             | 200,000 (min)                                     | 200,000 (min)                                     |
| Electrical:             | 30,000 (min)                                      | 30,000 (min)                                      |
| Rear Nut Fixing Torque: | 12Nm max.   | 12Nm max.   |
| Materials               |   |   |
| Mouldings:              | Nylon   | Nylon   |
| Tags/Terminations:      | Brass, Tin Plated                                 | Brass, Tin Plated                                 |
| Switch Body & Button:   | Stainless Steel (Polished)                        | Stainless Steel (Polished)                        |
| Contacts:               | Silver  | Silver  |
| Variants:               | Nickel Plated Brass version<br>details on request | Nickel Plated Brass version<br>details on request |
| RoHS                    | Compliant   | Compliant   |

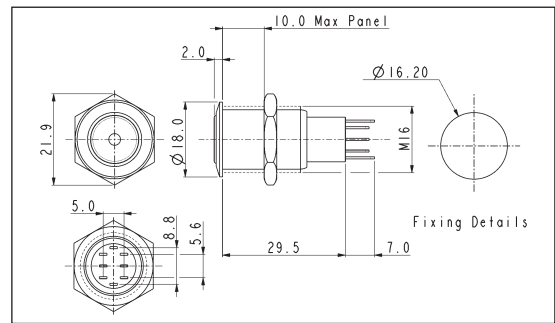
## Stainless Steel Illuminated Momentary

### FRONT PANEL MOUNTING



**MP0045/1D1**

- Dot Illuminated
- 18mm bezel diameter
- D.P.C.O.
- 3A, 250V ac
- Red, Green, Amber or Blue Illumination
- Separate LED Terminals

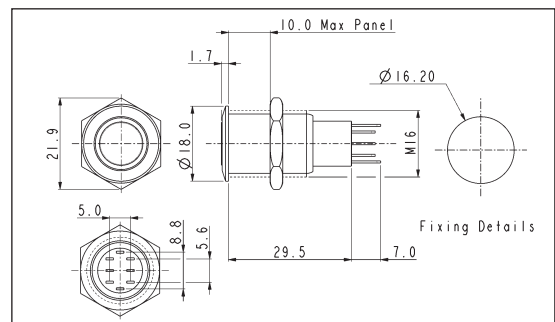


### FRONT PANEL MOUNTING

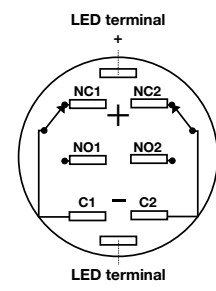


**MP0045/1D2**

- Ring Illuminated
- 18mm bezel diameter
- D.P.C.O.
- 3A, 250V ac
- Red, Green, Amber or Blue Illumination
- Separate LED Terminals



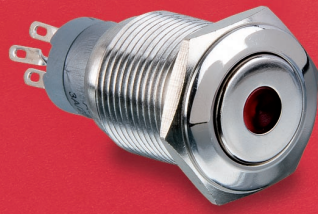
Contact Layout



| Specification           | MP0045/1D1/Colour/Voltage            | MP0045/1D2/Colour/Voltage            |
|-------------------------|--------------------------------------|--------------------------------------|
| Terminations:           | Solder Tags                          | Solder Tags                          |
| Illumination:           | Dot                                  | Ring                                 |
| Switching:              | D.P.C.O. Momentary Action            | D.P.C.O. Momentary Action            |
| Max. Switch Rating:     | 3A, 250V a.c.                        | 3A, 250V a.c.                        |
| LEDs                    |                                      |                                      |
| Colours                 | Red      Green      Amber      Blue  | Red      Green      Amber      Blue  |
| Part No.                | /RD      /GN      /AM      /BL       | /RD      /GN      /AM      /BL       |
| Voltage                 | 12V d.c.    220V d.c.                | 12V d.c.    220V d.c.                |
| Part No.                | /012      /220                       | /012      /220                       |
| Contact Resistance:     | 50mΩ max. @ 1A, 2V d.c.              | 50mΩ max. @ 1A, 2V d.c.              |
| Insulation Resistance:  | >10 <sup>3</sup> MΩ @ 500V a.c.      | >10 <sup>3</sup> MΩ @ 500V a.c.      |
| Dielectric Strength:    | >2.0kV a.c.                          | >2.0kV a.c.                          |
| Operating Temp. Range:  | -30°C to +55°C                       | -30°C to +55°C                       |
| Operations              |                                      |                                      |
| Mechanical:             | 200,000 (min)                        | 200,000 (min)                        |
| Electrical:             | 30,000 (min)                         | 30,000 (min)                         |
| Rear Nut Fixing Torque: | 12Nm                                 | 12Nm                                 |
| Materials               |                                      |                                      |
| Mouldings:              | Nylon                                | Nylon                                |
| Tags:                   | Brass, Silver Plated                 | Brass, Silver Plated                 |
| Switch Body & Button:   | Stainless Steel (Polished)           | Stainless Steel (Polished)           |
| O ring:                 | Nitrile                              | Nitrile                              |
| Variants                | Prominent Button, details on request | Prominent Button, details on request |
| <b>RoHS</b>             | Compliant                            | Compliant                            |

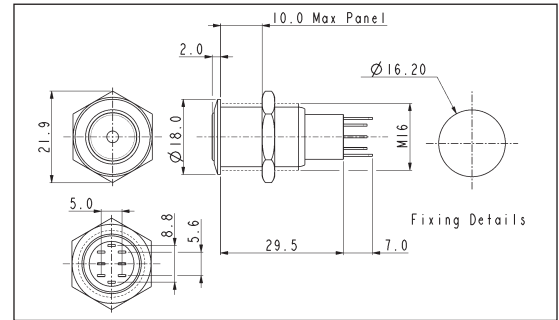
**Stainless Steel Illuminated Latching**

**FRONT PANEL MOUNTING**



**MP0045/1E1**

- Dot Illuminated
- 18mm bezel diameter
- D.P.C.O.
- 3A, 250V ac
- Red, Green, Amber or Blue Illumination
- Separate LED Terminals

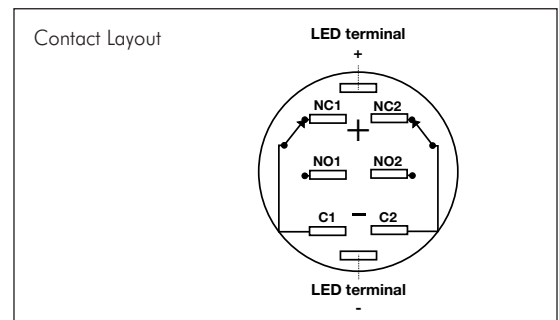
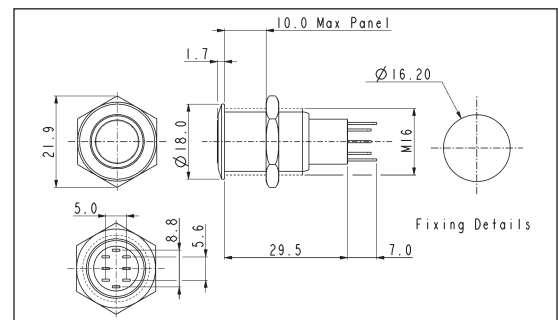


**FRONT PANEL MOUNTING**



**MP0045/1E2**

- Ring Illuminated
- 18mm bezel diameter
- D.P.C.O.
- 3A, 250V ac
- Red, Green, Amber or Blue Illumination
- Separate LED Terminals



| Specification           | MP0045/1E1/Colour/Voltage                     | MP0045/1E2/Colour/Voltage                     |
|-------------------------|---|---|
| Terminations:           | Solder Tags                                   | Solder Tags                                   |
| Illumination:           | Dot   | Ring  |
| Switching:              | D.P.C.O. Latching Action                      | D.P.C.O. Latching Action                      |
| Max. Switch Rating:     | 3A, 250V a.c.                                 | 3A, 250V a.c.                                 |
| LEDs                    |   |   |
| Colours                 | Red /RD    Green /GN    Amber /AM    Blue /BL | Red /RD    Green /GN    Amber /AM    Blue /BL |
| Part No.                |   |   |
| Voltage                 | 12V d.c.    220V d.c.                         | 12V d.c.    220V d.c.                         |
| Part No.                | /012    /220                                  | /012    /220                                  |
| Contact Resistance:     | 50mΩ max. @ 1A, 2V d.c.                       | 50mΩ max. @ 1A, 2V d.c.                       |
| Insulation Resistance:  | >10 <sup>3</sup> MΩ @ 500V a.c.               | >10 <sup>3</sup> MΩ @ 500V a.c.               |
| Dielectric Strength:    | >2.0kV a.c.                                   | >2.0kV a.c.                                   |
| Operating Temp. Range:  | -30°C to +55°C                                | -30°C to +55°C                                |
| Operations              |   |   |
| Mechanical:             | 200,000 (min)                                 | 200,000 (min)                                 |
| Electrical:             | 30,000 (min)                                  | 30,000 (min)                                  |
| Rear Nut Fixing Torque: | 12Nm  | 12Nm  |
| Materials               |   |   |
| Mouldings:              | Nylon   | Nylon   |
| Tags:                   | Brass, Silver Plated                          | Brass, Silver Plated                          |
| Switch Body & Button:   | Stainless Steel (Polished)                    | Stainless Steel (Polished)                    |
| O ring:                 | Nitrile                                       | Nitrile                                       |
| Variants                | Prominent Button, details on request          | Prominent Button, details on request          |
| RoHS                    | Compliant                                     | Compliant                                     |

## X-ON Electronics

Largest Supplier of Electrical and Electronic Components

*Click to view similar products for [Pushbutton Switches](#) category:*

*Click to view products by [Bulgin](#) manufacturer:*

Other Similar products are found below :

[8940K2012](#) [LW1L-M1C10V-A](#) [LW1L-M1C70-A](#) [LW2L-A1C20M-GD](#) [LW2L-M1C20M-A](#) [60324L](#) [M22-D-R-GB0/K11](#) [M7E-HRN2](#)  
[67021K512](#) [67081K512X](#) [701PB580](#) [7199K101](#) [810K12910](#) [810KSV30B](#) [MML21EA2ADK](#) [MML21KA3ABK](#) [MML23KA3AC05K-001](#)  
[MML23KW3AA01W](#) [8418K2](#) [8442K3](#) [8450K1](#) [860K11911T01A](#) [861901](#) [861K11911T01A07](#) [861K13810T00A14](#) [861K13911](#)  
[8646AB6X718UL](#) [8646ABUL](#) [9001KXRK](#) [907AYY100](#) [PMHD155A1](#) [9533CD4+U574+U4922](#) [95-414.000](#) [99-450.837](#) [99-453.837](#)  
[PV3H2B0NN-341](#) [1203MRA](#) [A22NZBGANGA](#) [A22NZBNANGA](#) [A22NZMPATRA](#) [A2PMA1X03EC56](#) [A3A-5123-02](#) [A3A-7140](#) [A3A-7310](#) [A3A-7340](#) [A3U-TMW-A2C-5M](#) [A595](#) [12037A2ULCSA](#) [ABD122N-B](#) [1211390004](#)