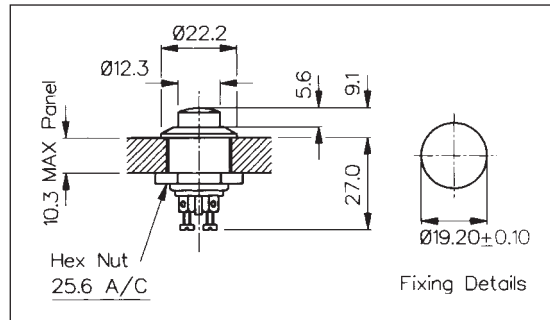


## Push Button

## FRONT PANEL MOUNTING



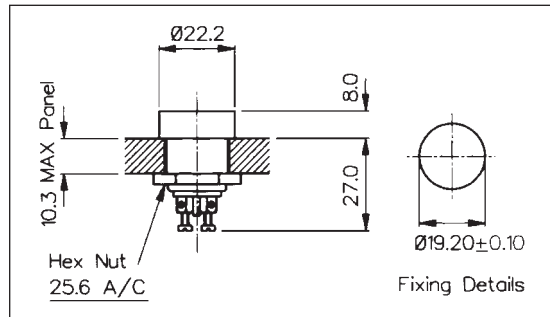
- 22mm diameter
- Prominent Button
- S.P. Push to Make
- Screw Terminals
- Brass, Chrome Plated Body, Glass Filled Nylon Button



## FRONT PANEL MOUNTING



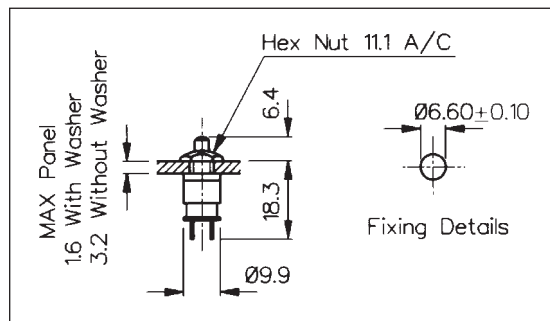
- 22mm diameter
- Recessed Button
- S.P. Push to Make
- Screw Terminals
- Brass, Chrome Plated Body, Glass Filled Nylon Button



## REAR PANEL MOUNTING



- S.P. Push to Make
- Solder Tags
- 1A, 28V a.c./d.c.
- Brass Nickel Plated Body, Glass Filled Nylon Button



Specification	MP0012/Colour	MP0012/1/Colour	MP0016/Colour
Terminations:	Screw Terminals	Screw Terminals	Solder Tags
Switching:	S.P. Push to Make Slow Momentary Action	S.P. Push to Make Slow Momentary Action	S.P. Push to Make Slow Momentary Action
Max. Rating:	0.25A. 250V a.c., 1A. 110V a.c., 2A. 12V a.c./d.c.	0.25A. 250V a.c., 1A. 110V a.c., 2A. 12V a.c./d.c.	1A 28V a.c./d.c. (non-inductive)
Contact Resistance:	<15mΩ	<15mΩ	<15mΩ
Insulation Resistance:	>10 <sup>4</sup> MΩ	>10 <sup>4</sup> MΩ.	>10 <sup>4</sup> MΩ
Dielectric Strength:	>2.5kV a.c.	>2.5kV a.c.	>2.0kV a.c.
Operating Temp. Range:	-20°C to +85°C	-20°C to +85°C	-20°C to +85°C
Materials:			
Moulding:	Glass Filled Nylon	Glass Filled Nylon	Glass Filled Nylon
Body:	Brass, Chrome Plated	Brass, Chrome Plated	Brass, Chrome Plated
Contacts/Terms:	Brass, Silver Plated	Brass, Silver Plated	Brass, Silver Plated
Variants:	Button Colour: Standard - Black, /RD (Red)	Button Colour: Standard - Black, /RD (Red)	Button Colour: Standard - Black, /RD (Red)

## X-ON Electronics

Largest Supplier of Electrical and Electronic Components

*Click to view similar products for [bulgin](#) manufacturer:*

Other Similar products are found below :

[EXP-0931/03/P](#) [EXP-0931/04/P](#) [EXP-0941/02/P](#) [PX0410/10S/5560](#) [PX0580PC7](#) [PX0742/P/50OHM](#) [PX0921/10/P](#)  
[PXM6010/03S/ST/0507/SN](#) [DX1116/RD](#) [BEP01SGT0](#) [BZV01/Z0000/10](#) [EXP-0991](#) [EXP-A921/07/P](#) [PX041106S6570](#) [PX041108S5560](#)  
[PX091104S01](#) [PXP7010/03S/ST/1113](#) [PXP7011/02P/ST/0709](#) [BVA01/Z0000/10](#) [BVA01/Z0000/11](#) [13826](#) [SX0780](#) [PXM6033TP](#) [KX0372](#)  
[14025](#) [PXM6010/03S/ST/0507](#) [PXP7011/02S/ST/1113](#) [BVB01/Z0000/02](#) [A1048OAAAC](#) [C1353ATMBR3](#) [H8553VBBR3](#)  
[H8620VBBB141W](#) [X8650VBBB076W](#) [C1350ABMWW602AB](#) [C1553PBMBR3](#) [C6053ALBG21197W](#) [H8600VBBR076W](#)  
[PXMBNI12RPF04DPCPG9](#) [PXMBNI12RPF05APCM16](#) [PXPPAM12RAM05ASTPG9](#) [PXMBNI23FBF19ASC](#) [PXP4010/04S/4550](#)  
[PXPPVC08RAF05BCL010PVC](#) [H3141AAKAA](#) [H8550VBBBEN551W](#) [PXMBNI08FPP03AFL003](#) [LH1050B](#) [C1353ARBG2-602AW-B](#)  
[PXMBNI12FBF08XSCPG9](#) [C6053ALBG31197W](#)