

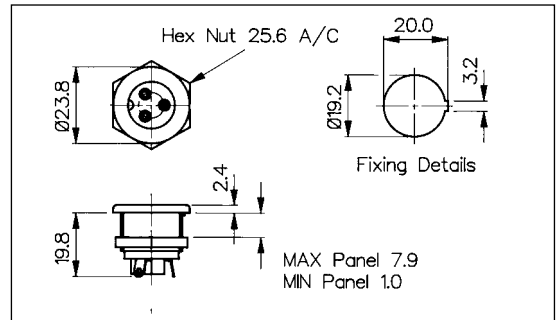
Plugs and Sockets (2 Pole + Earth)

CIRCULAR MALE INLET



PX0429

- 2 Pole + Earth
- Mates with PX0430/SE and PX0646
- Key to Ensure Correct Polarity
- Solder Tags
- 3A, 250V a.c.

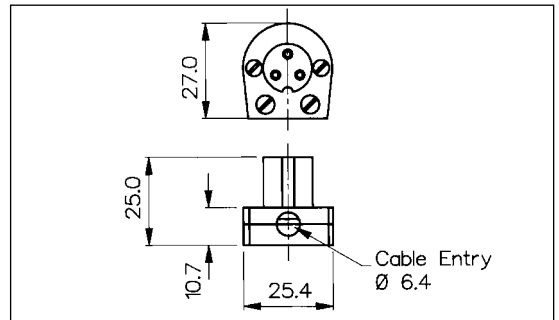


CIRCULAR FEMALE CONNECTOR



PX0430/SE

- 2 Pole + Earth
- Mates with PX0429
- Key Way to Ensure Correct Polarity
- Solder Tags
- 3A, 250V a.c.

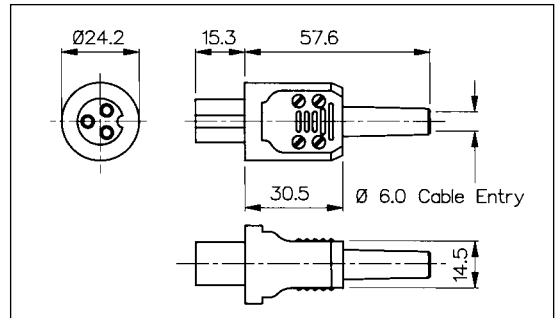


CIRCULAR FEMALE CONNECTOR



PX0646

- 2 Pole + Earth
- Mates with PX0429
- Key Way to Ensure Correct Polarity
- Solder Tags
- 3A, 250V a.c.



GEN. PURPOSE

| Specification | PX0429 | PX0430/SE | PX0646 |
|------------------------|--------------------------------------|---|---|
| Terminations: | Solder Tags | Solder Tags | Solder Tags |
| Max. Rating: | 3A, 250V a.c. | 3A, 250V a.c. | 3A, 250V a.c. |
| Contact Resistance: | <10mΩ | <10mΩ | <10mΩ |
| Insulation Resistance: | >10 ⁵ MΩ | >10 ⁵ MΩ | >10 ⁵ MΩ |
| A.C. Breakdown: | Pole-Pole 4.5kV Poles-Panel 8.5kV | Pole-Pole 4.5kV Poles-Accessible Parts 3.5kV | Pole-Pole 4.5kV Poles-Accessible Parts 3.5kV |
| Operating Temp. Range: | -20°C to +60°C | -20°C to +60°C | -20°C to +60°C |
| Mouldings: | Glass Filled Nylon | Nylon and Glass Filled Nylon | Nylon and Glass Filled Nylon |
| Contacts: | Brass, Tin Plated | Brass, Silver Plated | Brass, Silver Plated |
| Accessories: | P.No. 9455 (see page 151) | | |
| Mates With: | PX0430/SE & PX0646 | PX0429 | PX0429 |
| RoHS | Compliant | Compliant | Compliant |

X-ON Electronics

Largest Supplier of Electrical and Electronic Components

Click to view similar products for [AC Power Plugs & Receptacles](#) category:

Click to view products by [Bulgin](#) manufacturer:

Other Similar products are found below :

[739W-X2/03-BACK1](#) [85447L](#) [1301460003](#) [1301520016](#) [1301520008](#) [15W07](#) [22806](#) [26W47](#) [929662-1](#) [27W81](#) [962160-1](#) [29W08MB](#)
[29W82](#) [26W](#) [26W76BLK](#) [27W47](#) [27W48](#) [28W](#) [28W81](#) [29W47MB](#) [HDR-E14FG1+](#) [30-9717-25](#) [43305](#) [85266](#) [5262DW](#) [22801](#) [22804](#)
[25W47](#) [701W-15/06](#) [701W-20/27](#) [27T76](#) [739W-20/XX](#) [1301860536](#) [1301520018](#) [1301520021](#) [1301520020](#) [8210GY](#) [29W48](#) [3011-06](#)
[A52S22A](#) [739W-X2/XX3](#) [26T49](#) [2707](#) [26W47-W](#) [1301450073](#) [RECWALLBOXBA](#) [1301490033](#) [30-1511](#) [30-9707-BU](#) [30-9733-BU](#)