

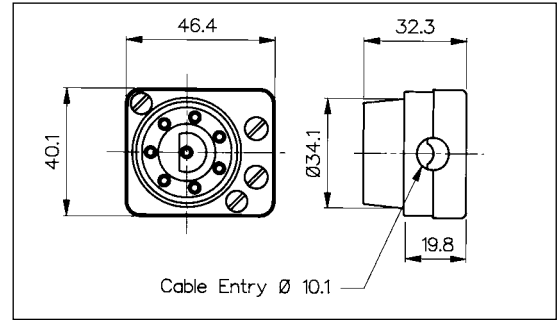
## Flex Mount Plug and Panel Mount Sockets

### FLEX MOUNT MALE CIRCULAR CONNECTOR



PX0551

- 8 Poles
- Mates with PX0552, PX0552/PC, PX0956/S and PX0957/S
- Screw Terminals
- 6A, 250V a.c. (per Pin)

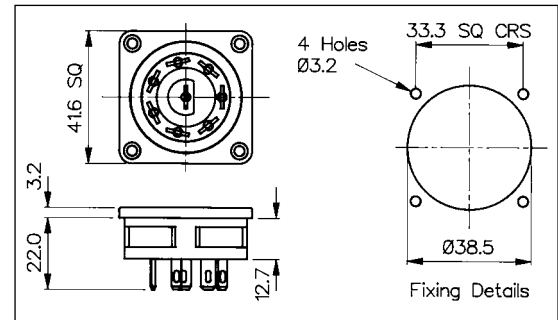


### PANEL MOUNT FEMALE CIRCULAR OUTLET



PX0552

- 8 Poles
- Mates with PX0551
- 4.8mm Tabs
- 6A, 250V a.c. (per Pin)

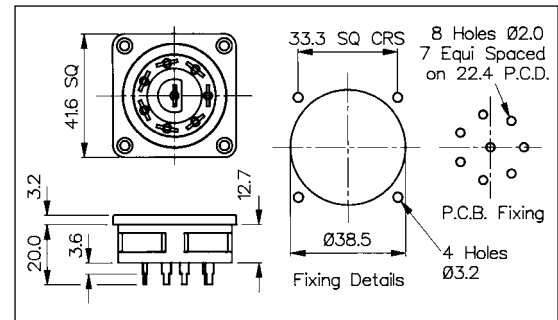


### PC PANEL MOUNT FEMALE CIRCULAR OUTLET



PX0552/PC

- 8 Poles
- Mates with PX0551
- PC Spills
- 6A, 250V a.c. (per Pin)



GEN. PURPOSE

| Specification          | PX0551  | PX0552  | PX0552/PC   |
|------------------------|---|---|---|
| Terminations:          | Screw Terminals                               | 4.8 Series Tab                                    | P.C. Spills   |
| Max. Rating:           | 6A, 250V a.c. (per pin)                       | 6A, 250V a.c. (per pin)                           | 6A, 250V a.c. (per pin)                             |
| Contact Resistance:    | <20mΩ   | <20mΩ   | <20mΩ   |
| Insulation Resistance: | >10 <sup>3</sup> MΩ                           | >10 <sup>3</sup> MΩ                               | >10 <sup>3</sup> MΩ                                 |
| A.C. Breakdown:        | Pole-Pole 5.2kV<br>Poles-Accessible Parts 6kV | Pole-Pole 5.2kV<br>Poles-Exterior Parts/Panel 2kV | Pole-Pole 5.2kV<br>Poles-Exterior Parts/Panel 6.6kV |
| Operating Temp. Range: | -20°C to +70°C                                | -20°C to +70°C                                    | -20°C to +70°C                                      |
| Mouldings:             | Glass Filled Nylon (Black)                    | Glass Filled Nylon (Black)                        | Glass Filled Nylon (Black)                          |
| Flammability Rating:   | UL94 HB                                       | UL94 HB   | UL94 HB   |
| Contacts:              | Brass, Nickel Plated                          | Brass, Tin Plated                                 | Brass, Tin Plated                                   |
| Mates With:            | PX0552, PX0552/PC, PX0956/S,<br>PX0957/S      | PX0551, PX0959/P, PX0959/P/PC                     | PX0551, PX0959/P, PX0959/P/PC                       |
| <b>RoHS</b>            | Compliant                                     | Compliant   | Compliant   |

## X-ON Electronics

Largest Supplier of Electrical and Electronic Components

*Click to view similar products for [AC Power Plugs & Receptacles](#) category:*

*Click to view products by [Bulgin](#) manufacturer:*

Other Similar products are found below :

[739W-X2/03-BACK1](#) [85447L](#) [1301460003](#) [1301520016](#) [1301520008](#) [15W07](#) [22806](#) [26W47](#) [929662-1](#) [27W81](#) [962160-1](#) [29W08MB](#)  
[29W82](#) [26W](#) [26W76BLK](#) [27W47](#) [27W48](#) [28W](#) [28W81](#) [29W47MB](#) [HDR-E14FG1+](#) [30-9717-25](#) [43305](#) [85266](#) [5262DW](#) [22801](#) [22804](#)  
[25W47](#) [701W-15/06](#) [701W-20/27](#) [27T76](#) [739W-20/XX](#) [1301860536](#) [1301520018](#) [1301520021](#) [1301520020](#) [8210GY](#) [29W48](#) [3011-06](#)  
[A52S22A](#) [739W-X2/XX3](#) [26T49](#) [2707](#) [26W47-W](#) [1301450073](#) [RECWALLBOXBA](#) [1301490033](#) [30-1511](#) [30-9707-BU](#) [30-9733-BU](#)