

# General Purpose Connectors

This long established series of connectors still find many uses where small, but lower current connections are needed. The range consists of circular and rectangular styles with 3, 4, 6 and 8 poles, in a choice of configurations, with current ratings up to 6 Amps. The 8 pole round has become the standard connector for the disco and lighting industry and is available in cable and chassis mounting versions.

Type		Page
PX0551	8 Pole connector	144
PX0552	8 Pole outlet	144
PX0552/PC	8 Pole outlet	144
PX0956/S	8 Pole connector	145
PX0957/S	8 Pole outlet	145
PX0959/P	8 Pole inlet	146
PX0959/P/PC	8 Pole inlet	146
PX0429	2 Pole + Earth	147
PX0430/SE	2 Pole + Earth	147
PX0646	2 Pole + Earth	147
PX0635	6 Pole	148
PX0636	6 Pole	148
SA2403	3 Pole	149
SA2404	3 Pole	149
SA2367	4 Pole	149
SA2368	4 Pole	149
PX0649	3 Pole	150
PX0650	3 Pole	150
<b>Accessories</b>		151

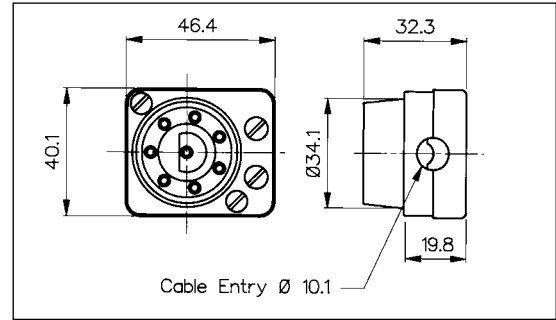
## Flex Mount Plug and Panel Mount Sockets

### FLEX MOUNT MALE CIRCULAR CONNECTOR



PX0551

- 8 Poles
- Mates with PX0552, PX0552/PC, PX0956/S and PX0957/S
- Screw Terminals
- 6A, 250V a.c. (per Pin)

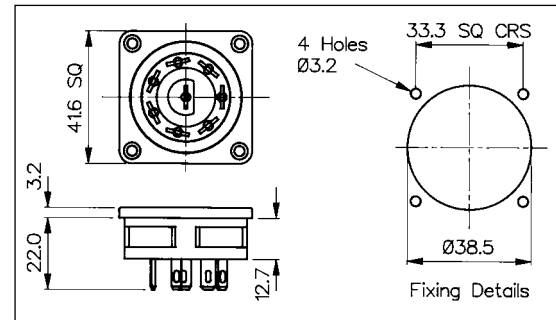


### PANEL MOUNT FEMALE CIRCULAR OUTLET



PX0552

- 8 Poles
- Mates with PX0551
- 4.8mm Tabs
- 6A, 250V a.c. (per Pin)

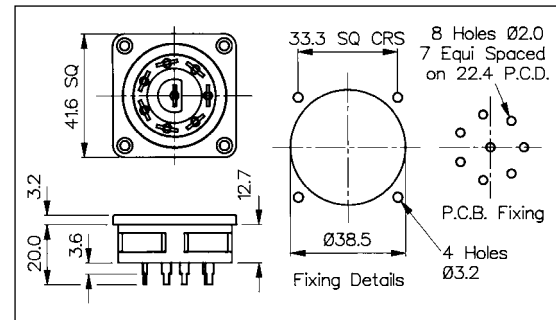


### PC PANEL MOUNT FEMALE CIRCULAR OUTLET



PX0552/PC

- 8 Poles
- Mates with PX0551
- PC Spills
- 6A, 250V a.c. (per Pin)



GEN. PURPOSE

Specification	PX0551	PX0552	PX0552/PC
Terminations:	Screw Terminals	4.8 Series Tab	P.C. Spills
Max. Rating:	6A, 250V a.c. (per pin)	6A, 250V a.c. (per pin)	6A, 250V a.c. (per pin)
Contact Resistance:	<20mΩ	<20mΩ	<20mΩ
Insulation Resistance:	>10 <sup>3</sup> MΩ	>10 <sup>3</sup> MΩ	>10 <sup>3</sup> MΩ
A.C. Breakdown:	Pole-Pole 5.2kV Poles-Accessible Parts 6kV	Pole-Pole 5.2kV Poles-Exterior Parts/Panel 2kV	Pole-Pole 5.2kV Poles-Exterior Parts/Panel 6.6kV
Operating Temp. Range:	-20°C to +70°C	-20°C to +70°C	-20°C to +70°C
Mouldings:	Glass Filled Nylon (Black)	Glass Filled Nylon (Black)	Glass Filled Nylon (Black)
Flammability Rating:	UL94 HB	UL94 HB	UL94 HB
Contacts:	Brass, Nickel Plated	Brass, Tin Plated	Brass, Tin Plated
Mates With:	PX0552, PX0552/PC, PX0956/S, PX0957/S	PX0551, PX0959/P, PX0959/P/PC	PX0551, PX0959/P, PX0959/P/PC
<b>RoHS</b>	Compliant	Compliant	Compliant

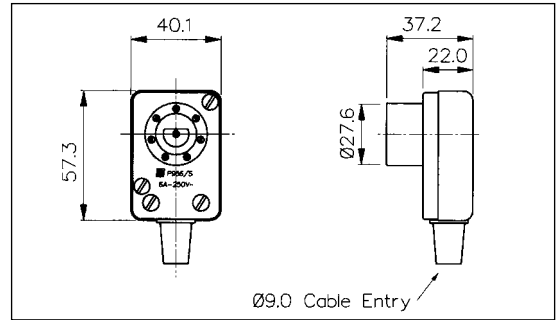
Flex Mount and Panel Mount Sockets

FLEX MOUNT FEMALE CIRCULAR CONNECTOR



PX0956/S

- 8 Poles
- Mates with PX0551, PX0959/P and PX0959/P/PC
- Screw/Solder Terminals
- 6A, 250V a.c. (per Pin)

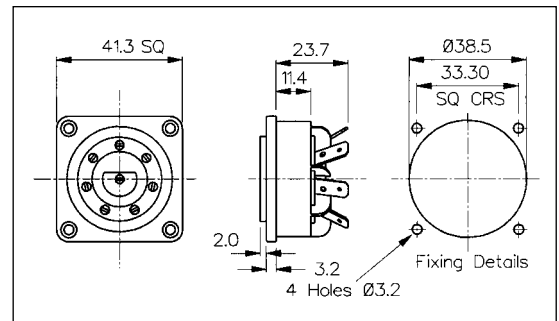


PANEL MOUNT FEMALE CIRCULAR OUTLET



PX0957/S

- 8 Poles
- Mates with PX0551, PX0959/P and PX0959/P/PC
- 4.8mm Tabs/Solder
- 6A, 250V a.c. (per Pin)



Specification	PX0956/S	PX0957/S
Terminations:	Screw/Solder Terminals	4.8 Tab/Solder Tag
Max. Rating:	6A, 250V a.c.	6A, 250V a.c.
Contact Resistance:	<10mΩ	<10mΩ
Insulation Resistance:	>10 <sup>8</sup> MΩ @ 500V d.c.	>10 <sup>8</sup> MΩ @ 500V d.c.
A.C. Breakdown:	Pole-Pole 5.5kV Poles-Exterior Parts 5kV	Pole-Pole 5.5kV Poles-Exterior Parts/Panel 6.4kV
Operating Temp. Range:	-20°C to +70°C	-20°C to +70°C
Mouldings:	Glass Filled Nylon (black)	Glass Filled Nylon (black)
Flammability Rating:	UL94 HB	UL94 HB
Contacts:	Brass, Tin Plated	Brass, Tin Plated
Mates With:	PX0551, PX0959/P, PX0959/P/PC	PX0551, PX0959/P, PX0959/P/PC
<b>RoHS</b>	Compliant	Compliant

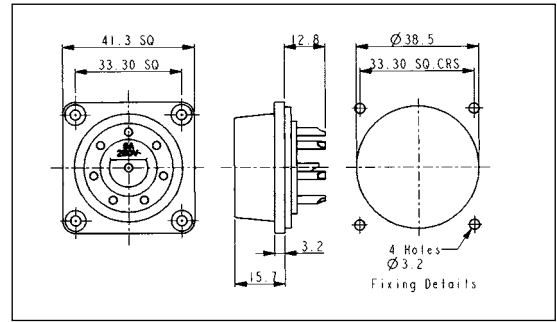
## Panel Mount Plugs

### PANEL MOUNT MALE CIRCULAR INLET



PX0959/P

- 8 Poles
- Mates with PX0956/S, PX0957/S, PX0552 and PX0552/PC
- Solder bucket terminals
- 6A, 250V a.c. (per Pin)

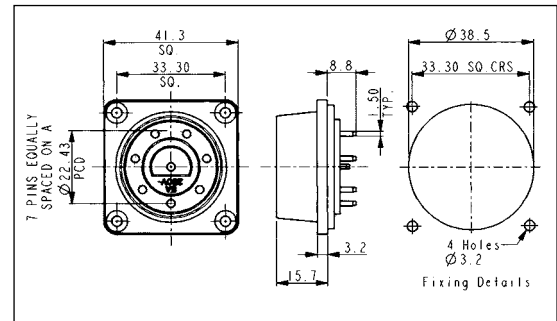


### PANEL MOUNT MALE CIRCULAR INLET



PX0959/P/PC

- 8 Poles
- Mates with PX0956/S, PX0957/S, PX0552 and PX0552/PC
- P.C. Spill terminations
- 6A, 250V a.c. (per Pin)



GEN. PURPOSE

Specification	PX0959/P	PX0959/P/PC
Terminations:	Solder bucket	P.C. Spill
Max. Rating:	6A, 250V a.c. (per pin)	6A, 250V a.c. (per pin)
Contact Resistance:	<10mΩ	<10mΩ
Insulation Resistance:	>10 <sup>4</sup> MΩ @ 500V d.c.	>10 <sup>4</sup> MΩ @ 500V d.c.
A.C. Breakdown:	Pole-Pole 6kV Poles-Exterior Parts/Panel 6kV	Pole-Pole 6kV Poles-Exterior Parts/Panel 6kV
Operating Temp. Range:	-20°C to +70°C	-20°C to +70°C
Mouldings:	Glass Filled Nylon (black)	Glass Filled Nylon (black)
Flammability Rating:	UL94 HB	UL94 HB
Contacts:	Turned Brass, Tin Plated	Turned Brass, Tin Plated
Mates With:	PX0956/S, PX0957/S, PX0552, PX0552/PC	PX0956/S, PX0957/S, PX0552, PX0552/PC
<b>RoHS</b>	Compliant	Compliant

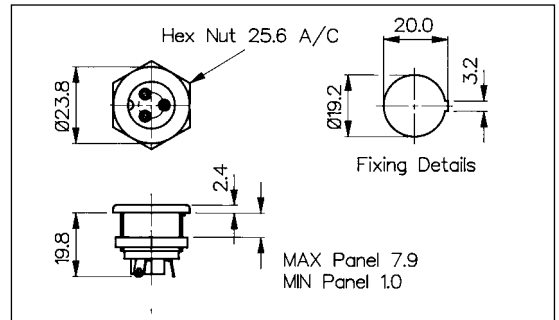
Plugs and Sockets (2 Pole + Earth)

CIRCULAR MALE INLET



PX0429

- 2 Pole + Earth
- Mates with PX0430/SE and PX0646
- Key to Ensure Correct Polarity
- Solder Tags
- 3A, 250V a.c.

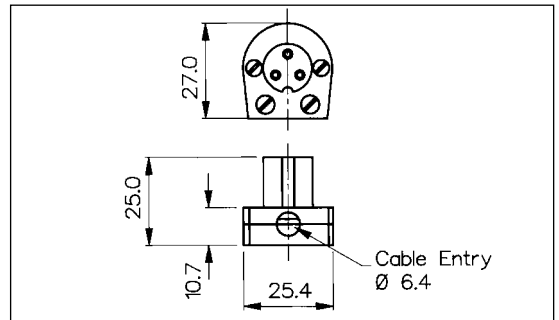


CIRCULAR FEMALE CONNECTOR



PX0430/SE

- 2 Pole + Earth
- Mates with PX0429
- Key Way to Ensure Correct Polarity
- Solder Tags
- 3A, 250V a.c.

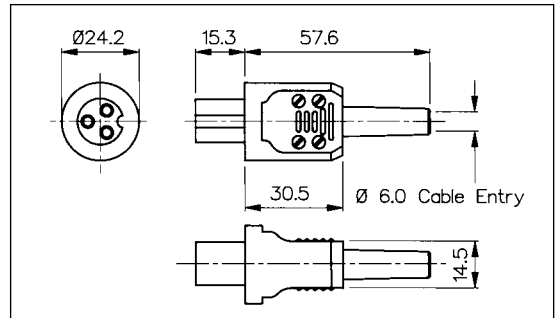


CIRCULAR FEMALE CONNECTOR



PX0646

- 2 Pole + Earth
- Mates with PX0429
- Key Way to Ensure Correct Polarity
- Solder Tags
- 3A, 250V a.c.



GEN. PURPOSE

Specification	PX0429	PX0430/SE	PX0646
Terminations:	Solder Tags	Solder Tags	Solder Tags
Max. Rating:	3A, 250V a.c.	3A, 250V a.c.	3A, 250V a.c.
Contact Resistance:	<10mΩ	<10mΩ	<10mΩ
Insulation Resistance:	>10 <sup>5</sup> MΩ	>10 <sup>5</sup> MΩ	>10 <sup>5</sup> MΩ
A.C. Breakdown:	Pole-Pole 4.5kV Poles-Panel 8.5kV	Pole-Pole 4.5kV Poles-Accessible Parts 3.5kV	Pole-Pole 4.5kV Poles-Accessible Parts 3.5kV
Operating Temp. Range:	-20°C to +60°C	-20°C to +60°C	-20°C to +60°C
Mouldings:	Glass Filled Nylon	Nylon and Glass Filled Nylon	Nylon and Glass Filled Nylon
Contacts:	Brass, Tin Plated	Brass, Silver Plated	Brass, Silver Plated
Accessories:	P.No. 9455 (see page 151)		
Mates With:	PX0430/SE & PX0646	PX0429	PX0429
<b>RoHS</b>	Compliant	Compliant	Compliant

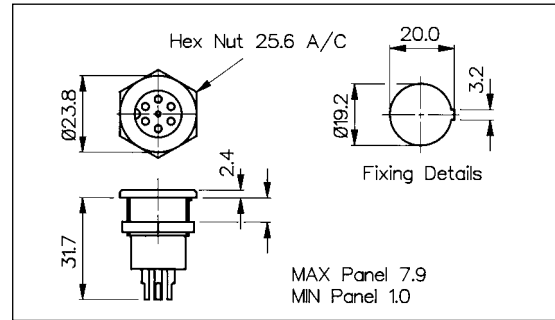
## Plug and Socket (6 Pole)

### CIRCULAR MALE INLET



PX0635

- 6 Pole
- Mates with PX0636
- Key to Ensure Correct Polarity
- Solder Buckets
- 3A, 50V a.c.

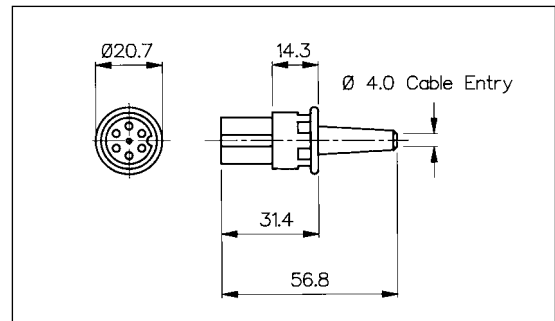


### CIRCULAR FEMALE CONNECTOR



PX0636

- 6 Pole
- Mates with PX0635
- Key Way to Ensure Correct Polarity
- Solder Tags
- 3A, 50V a.c.



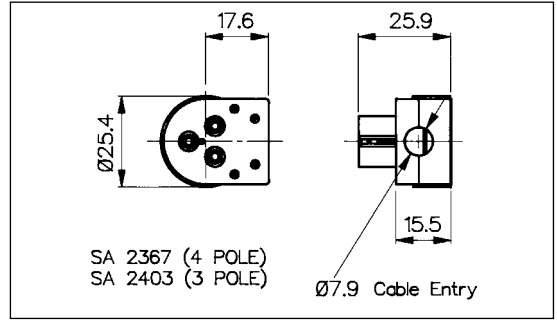
Specification	PX0635	PX0636
Terminations:	Solder Buckets	Solder Tags
Max. Rating:	3A, 50V a.c.	3A, 50V a.c.
Contact Resistance:	<10mΩ	<10mΩ
Insulation Resistance:	>10 <sup>4</sup> MΩ	>10 <sup>4</sup> MΩ
A.C. Breakdown:	Pole-Pole 2.1kV Poles-Panel 6.0kV	Pole-Pole 2.1kV Poles-Accessible Parts 1.5kV
Operating Temp. Range:	-20°C to +60°C	-20°C to +60°C
Mouldings:	Glass Filled Nylon	Glass Filled Nylon
Contacts:	Brass, Silver Plated	Brass, Silver Plated
Accessories:	P.No. 9455 (see page 151)	
Mates With:	PX0636	PX0635
<b>RoHS</b>	Compliant	Compliant

Plugs and Sockets (3 & 4 pole)

CIRCULAR MALE CONNECTOR



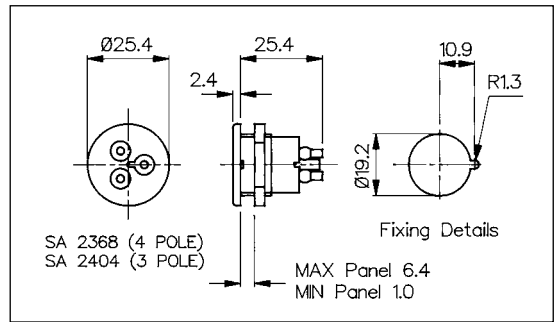
- Mates with SA2404 (3 pole) and SA2368 (4 pole)
- Key to Ensure Correct Polarity
- Screw Terminals
- 3A, 250V a.c.



CIRCULAR FEMALE OUTLET



- Mates with SA2403 (3 pole) and SA2367 (4 pole)
- Key Way to Ensure Correct Polarity
- Solder Sockets
- 3A, 250V a.c.



Specification	SA2403 (3 Pole) SA2367 (4 Pole)	SA2404 (3 Pole) SA2368 (4 Pole)
Terminations:	Screw Terminals	Solder Buckets
Max. Rating:	3A, 250V a.c.	3A, 250V a.c.
Contact Resistance:	<10mΩ	<10mΩ
Insulation Resistance:	>10 <sup>4</sup> MΩ	>10 <sup>4</sup> MΩ
A.C. Breakdown:	Pole-Pole 4.2kV Poles-Accessible Parts 2kV	Pole-Pole 4.2kV Poles-Panel 8.2kV
Operating Temp. Range:	-20°C to +70°C	-20°C to +70°C
Mouldings:	Glass Filled Nylon	Glass Filled Nylon
Contacts:	Brass, Nickel Plated	Brass, Tin Plated
Accessories:		P.No. 9455 (see page 151)
Mates With:	3 Pole - SA2404 4 Pole - SA2368	3 Pole - SA2403 4 Pole - SA2367
<b>RoHS</b>	Compliant	Compliant

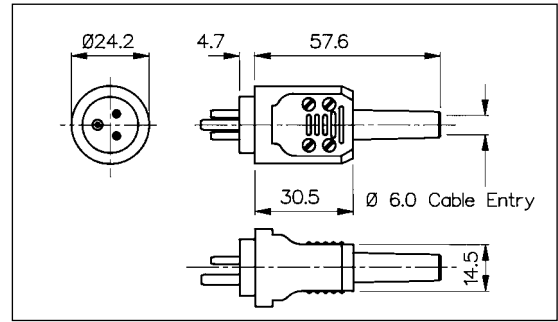
## Plug and Socket (2 Pole + Earth)

### CIRCULAR MALE CONNECTOR



PX0649

- 2 Pole + Earth
- Mates with PX0650
- Solder Sockets
- 3A, 250V a.c.

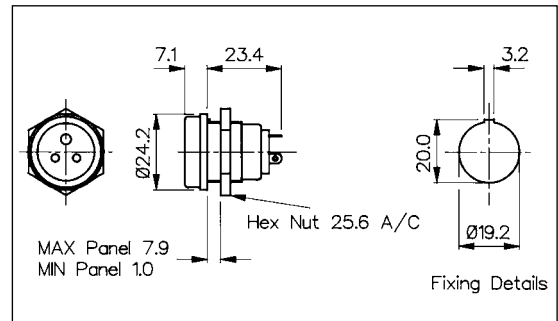


### CIRCULAR FEMALE OUTLET



PX0650

- 2 Pole + Earth
- Mates with PX0649
- Solder Tags
- 3A, 250V a.c.



GEN. PURPOSE

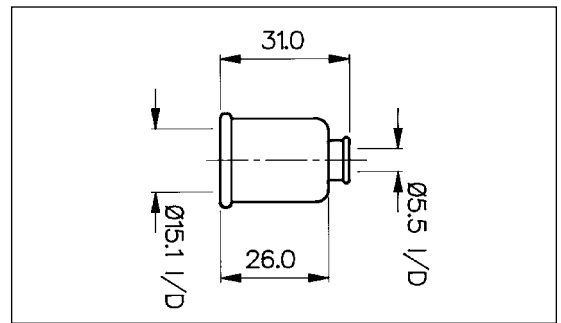
Specification	PX0649	PX0650
Terminations:	Solder Sockets	Solder Tags
Max. Rating:	3A, 250V a.c.	3A, 250V a.c.
Contact Resistance:	<10mΩ	<10mΩ
Insulation Resistance:	>10 <sup>4</sup> MΩ	>10 <sup>4</sup> MΩ
A.C. Breakdown:	Pole-Pole 4.2kV Poles-Accessible Parts 10kV	Pole-Pole 4.2kV Poles-Panel 10kV
Operating Temp. Range:	-20°C to +60°C	-20°C to +60°C
Mouldings:	Nylon and Phenolic	Glass Filled Nylon
Contacts:	Brass, Tin Plated	Brass, Silver Plated
Accessories:		P.No. 9455 (see page 151)
Mates With:	PX0650	PX0649
<b>RoHS</b>	Compliant	Compliant



INSULATION BOOT



- Prevents Accidental Removal of Connector
- Insulating Boot
- Protects Against Accidental Electric Shock



GEN. PURPOSE

Specification	P.No. 9455
	Insulation cover for PX0429, PX0635, PX0650, SA2368, SA2404
Operating Temp. Range:	-20°C to +60°C
Max. Working Voltage:	250V a.c.
Flash Tested:	2kV a.c.
Material:	P.V.C.
Flammability Rating:	UL94V-0
<b>RoHS</b>	Compliant

## X-ON Electronics

Largest Supplier of Electrical and Electronic Components

*Click to view similar products for [AC Power Entry Modules](#) category:*

*Click to view products by [Bulgin](#) manufacturer:*

Other Similar products are found below :

[0098.0050](#) [6167.0002](#) [6609100-2](#) [7-6609955-2](#) [FKI2-50-6/M5](#) [FN361-6-06](#) [FN389-4-22](#) [FN9226B-6-02](#) [FN9233S1-10-06](#) [FN9233S1-8-06](#)  
[FN9233S1B-8-06](#) [FN9233S1R-1-06](#) [FN9233S1R-12-06](#) [FN9233SB-1-06](#) [FN9233SB-12-06](#) [FN9233SB-8-06](#) [FN9233SR-10-06](#) [FN9244B-15-06HI](#) [FN9244EB-3-06](#) [FN9244EB-8-06](#) [FN9244ER-15-06](#) [FN9244ER-8-06](#) [FN9244ES1-8-06](#) [FN9244ESB-8-06](#) [FN9244R-12-06](#)  
[FN9244S1-12-06](#) [FN9244S1R-3-06](#) [FN9244SB-8-06](#) [FN9244SR-6-06](#) [FN9244U-3-06](#) [FN9244U-8-06](#) [8-6609940-2](#) [PE00SSSXB](#) [Fuse-H-EUR-1](#) [Fuse-H-USA-1](#) [PM00XD000](#) [A-0701-HT-H](#) [15EJMS8](#) [1-6609941-2](#) [200JM6-2](#) [CA121003-6](#) [SK-1015\(F1-5\)](#) [161-R3015-E](#) [1-6609153-2](#) [FN323-1-05](#) [FN9233B-8-06](#) [FN9233EB-1-06](#) [FN9233ES1R-10-06](#) [FN9233R-12-06](#) [FN9233S-10-06](#)