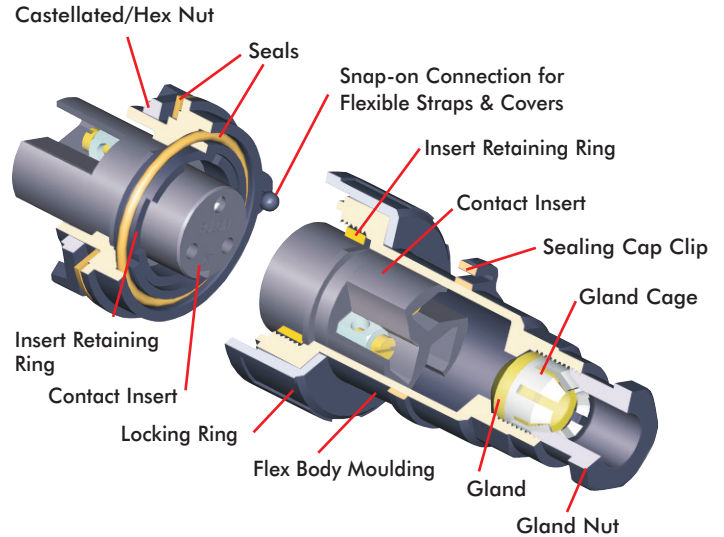




Standard Buccaneer®

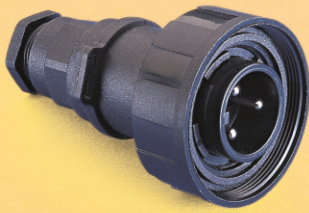
BUCCANEER POWER



- IP68 rating tested at 1.054kg/sq cm (15lb/sq in) 10m depth for 2 weeks and 9.84kg/sq cm (140lb/sq in) 100m depth for 12 hours
- IP69K rating tested to DIN 40050-9
- Water and dustproof to IP68 & IP69K when mated
- 2, 3, 4, 6, 7, 9, 12 and 25 pole
- 12A, 277V ac/dc 2 pole screw terminal, 3 pole screw terminal and crimp contacts
- 10A, 277V ac/dc 4 pole screw terminal
- 5A, 277V ac/dc 6 and 7 pole screw terminal
- 5A, 150V ac/dc 9 pole crimp contacts
- 5A, 50V ac/dc 12 pole crimp and solder contacts
- 1A, 50V ac/dc 25 pole crimp and solder contacts
- BNC versions 50| and 75|
- Plug or socket connection in each body style
- Compact design
- Diameter over coupling ring 38mm
- Sealing caps available to maintain IP68 rating of unmated connectors
- 7 body styles - flex cable, in-line flex cable, panel mount (front), panel mount (rear), PCB mount, bulkhead and flange mount
- Leading earth contact for 3 pole socket version
- Positive locating keyways - cannot be mis-connected
- Easy assembly - no special tools required on screw terminal versions
- Cable range from 3.5mm - 9mm
- Colour coded identification variants
- Pre-wired, overmoulded cable assemblies
- UL, CSA and VDE approvals

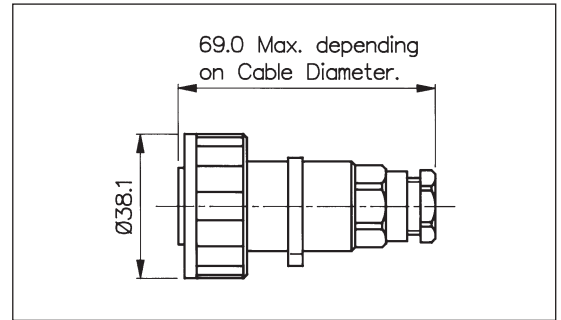
Standard Buccaneer®

FLEX CABLE CONNECTOR



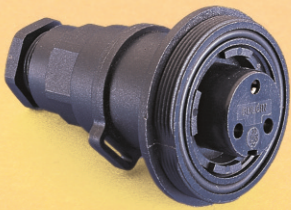
PX0731/P

- Mates with In-Line Flex or Panel Mounting Versions
- Screw Locking Ring
- Pin or Socket Versions
- Leading Earth on 3 pole connectors
- Poles 2, 3, 4, 6, 7, 9, 12, 25 or BNC
- Standard Cable Acceptance (2 to 9 pole) 6-8mm, 3.5-9mm with alternative glands



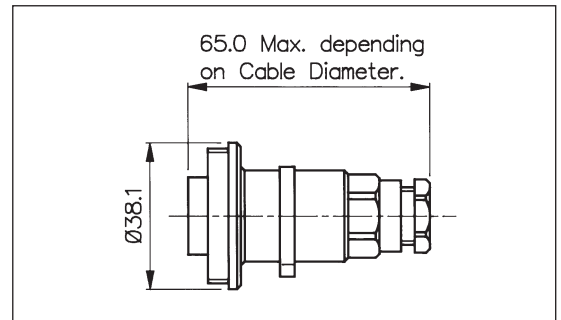
| Poles | Termination | Pin Contacts | Socket Contacts | Contacts |
|----------|--------------|----------------|-----------------|------------------|
| 2 | Screw | PX0736/P | PX0736/S | Supplied Fitted |
| 3 | Screw | PX0731/P | PX0731/S | Supplied Fitted |
| 3 | Crimp | PX0776/P | PX0776/S | Supplied Loose |
| 4 | Screw | PX0748/P | PX0748/S | Supplied Fitted |
| 6 | Screw | PX0739/P | PX0739/S | Supplied Fitted |
| 7 | Screw | PX0745/P | PX0745/S | Supplied Fitted |
| 9 | Crimp | PX0728/P | PX0728/S | Supplied Loose |
| 12 | Crimp/Solder | PX0794/P | PX0794/S | Order Separately |
| 25 | Crimp/Solder | PX0820/P | PX0820/S | Order Separately |
| 50 BNC | Crimp | PX0742/P/50OHM | | Supplied Loose |
| 75 BNC | Crimp | PX0742/P/75OHM | | Supplied Loose |

IN-LINE FLEX CABLE CONNECTOR



PX0732/S

- Mates with Flex Cable Connector
- Pin or Socket Versions
- Leading Earth on 3 pole connectors
- Poles 2, 3, 4, 6, 7, 9, 12, 25 or BNC
- Standard Cable Acceptance (2 to 9 pole) 6-8mm, 3.5-9mm with alternative glands



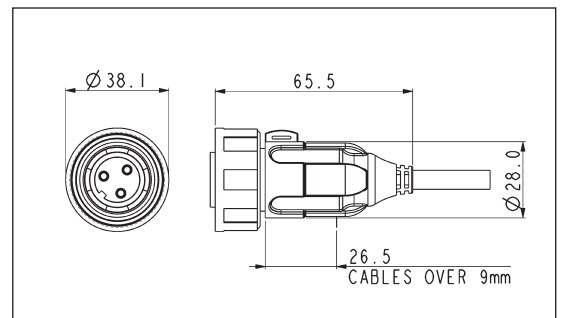
| Poles | Termination | Pin Contacts | Socket Contacts | Contacts |
|----------|--------------|--------------|-----------------|------------------|
| 2 | Screw | PX0737/P | PX0737/S | Supplied Fitted |
| 3 | Screw | PX0732/P | PX0732/S | Supplied Fitted |
| 3 | Crimp | PX0778/P | PX0778/S | Supplied Loose |
| 4 | Screw | PX0749/P | PX0749/S | Supplied Fitted |
| 6 | Screw | PX0740/P | PX0740/S | Supplied Fitted |
| 7 | Screw | PX0746/P | PX0746/S | Supplied Fitted |
| 9 | Crimp | PX0729/P | PX0729/S | Supplied Loose |
| 12 | Crimp/Solder | PX0795/P | PX0795/S | Order Separately |
| 25 | Crimp/Solder | PX0821/P | PX0821/S | Order Separately |
| 50 BNC | Crimp | | PX0743/S/50OHM | Supplied Loose |
| 75 BNC | Crimp | | PX0743/S/75OHM | Supplied Loose |

PRE-WIRED FLEX CABLE CONNECTOR



PX0700

- Overmoulded cable assemblies
- Up to 14mm dia cable with PVC or PU jackets
- PX0700 flex cable connector
- Mates with in-line flex connector and all panel connectors

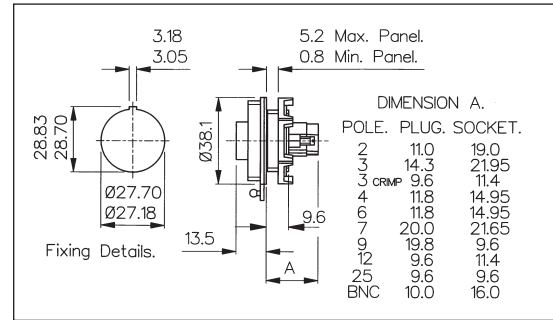


Standard Buccaneer®

FRONT PANEL MOUNTING CONNECTOR



- Mates with Flex Cable Connector
- Front panel mounting
- Single Hole Fixing
- Pin or Socket Versions
- Poles 2, 3, 4, 6, 7, 9, 12, 25 or BNC

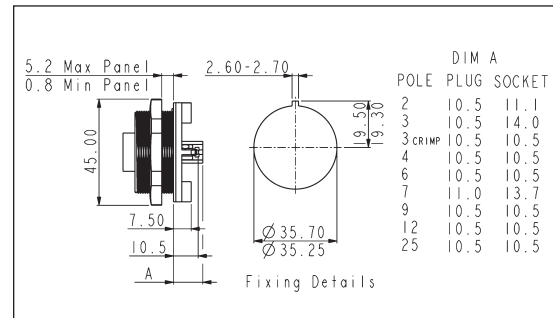


| Poles | Termination | Pin Contacts | Socket Contacts | Contacts |
|-------|--------------|--------------|-----------------|------------------|
| 2 | Screw | PX0735/P | PX0735/S | Supplied Fitted |
| 3 | Screw | PX0730/P | PX0730/S | Supplied Fitted |
| 3 | Crimp | PX0779/P | PX0779/S | Supplied Loose |
| 4 | Screw | PX0747/P | PX0747/S | Supplied Fitted |
| 6 | Screw | PX0738/P | PX0738/S | Supplied Fitted |
| 7 | Screw | PX0744/P | PX0744/S | Supplied Fitted |
| 9 | Crimp | PX0727/P | PX0727/S | Supplied Loose |
| 12 | Crimp/Solder | PX0796/P | PX0796/S | Order Separately |
| 25 | Crimp/Solder | PX0822/P | PX0822/S | Order Separately |
| 50 | BNC Crimp | | PX0741/S/50OHM | Supplied Loose |
| 75 | BNC Crimp | | PX0741/S/75OHM | Supplied Loose |

REAR PANEL MOUNTING CONNECTOR



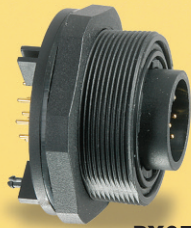
- Mates with Flex Cable Connector
- Rear panel mounting
- Single Hole Fixing
- Pin or Socket Versions
- Poles 2, 3, 4, 6, 7, 9, 12 or 25



| Poles | Termination | Pin Contacts | Socket Contacts | Contacts |
|-------|--------------|--------------|-----------------|------------------|
| 2 | Screw | PX0709/P/02 | PX0709/S/02 | Supplied Fitted |
| 3 | Screw | PX0709/P/03 | PX0709/S/03 | Supplied Fitted |
| 3 | Crimp | PX0708/P/03 | PX0708/S/03 | Supplied Loose |
| 4 | Screw | PX0709/P/04 | PX0709/S/04 | Supplied Fitted |
| 6 | Screw | PX0709/P/06 | PX0709/S/06 | Supplied Fitted |
| 7 | Screw | PX0709/P/07 | PX0709/S/07 | Supplied Fitted |
| 9 | Crimp | PX0708/P/09 | PX0708/S/09 | Supplied Loose |
| 12 | Crimp/Solder | PX0708/P/12 | PX0708/S/12 | Order Separately |
| 25 | Crimp/Solder | PX0708/P/25 | PX0708/S/25 | Order Separately |

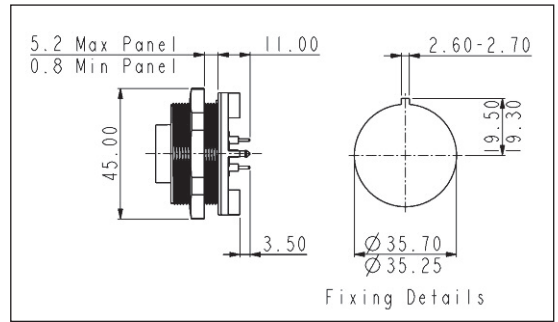
Standard Buccaneer®

PCB MOUNTING CONNECTOR



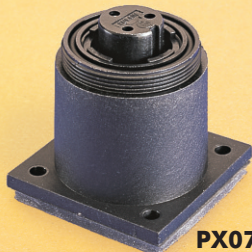
PX0707/P/12

- Mates with Flex Cable connector
- Rear panel mounting
- No. poles: 3, 4, 6, 9, 12 or 25
- Pin or socket versions
- Pre-loaded Gold Plated contacts



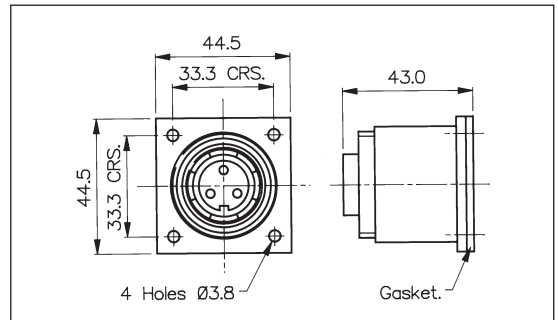
| Poles | Termination | Pin Contacts | Socket Contacts | Contacts |
|-------|-------------|--------------|-----------------|-----------------|
| 3 | PCB | PX0707/P/03 | PX0707/S/03 | Supplied Fitted |
| 4 | PCB | PX0707/P/04 | PX0707/S/04 | Supplied Fitted |
| 6 | PCB | PX0707/P/06 | PX0707/S/06 | Supplied Fitted |
| 9 | PCB | PX0707/P/09 | PX0707/S/09 | Supplied Fitted |
| 12 | PCB | PX0707/P/12 | PX0707/S/12 | Supplied Fitted |
| 25 | PCB | PX0707/P/25 | PX0707/S/25 | Supplied Fitted |

BULKHEAD FLANGE MOUNTING CONNECTOR



PX0756/S

- Mates with Flex Cable Connector
- Screw Fixing Flange
- Pin or Socket Versions
- Poles 2, 3, 4, 6, 7, 9, 12, 25 or BNC
- Supplied with sealing gasket and screw sealing grommets



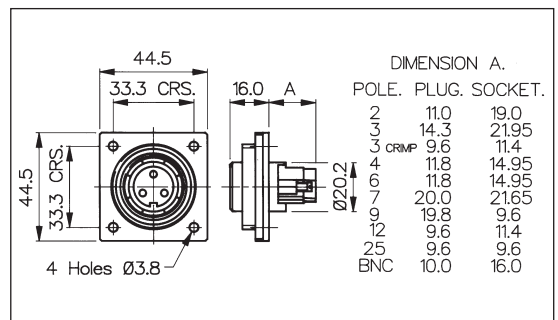
| Poles | Termination | Pin Contacts | Socket Contacts | Contacts |
|-------|--------------|--------------|-----------------|------------------|
| 2 | Screw | PX0757/P | PX0757/S | Supplied Fitted |
| 3 | Screw | PX0756/P | PX0756/S | Supplied Fitted |
| 3 | Crimp | PX0787/P | PX0787/S | Supplied Loose |
| 4 | Screw | PX0761/P | PX0761/S | Supplied Fitted |
| 6 | Screw | PX0758/P | PX0758/S | Supplied Fitted |
| 7 | Screw | PX0760/P | PX0760/S | Supplied Fitted |
| 9 | Crimp | PX0762/P | PX0762/S | Supplied Loose |
| 12 | Crimp/Solder | PX0798/P | PX0798/S | Order Separately |
| 25 | Crimp/Solder | PX0823/P | PX0823/S | Order Separately |
| 50 | BNC Crimp | | PX0759/S/50OHM | Supplied Loose |
| 75 | BNC Crimp | | PX0759/S/75OHM | Supplied Loose |

LOW PROFILE FLANGE MOUNTING CONNECTOR



PX0765/S

- Screw Flange Fixing
- Pin or Socket Versions
- Poles 2, 3, 4, 6, 7, 9, 12, 25 or BNC
- Mates with Flex Cable Connector
- Supplied with sealing gasket and screw sealing grommets



| Poles | Termination | Pin Contacts | Socket Contacts | Contacts |
|-------|--------------|--------------|-----------------|------------------|
| 2 | Screw | PX0764/P | PX0764/S | Supplied Fitted |
| 3 | Screw | PX0765/P | PX0765/S | Supplied Fitted |
| 3 | Crimp | PX0781/P | PX0781/S | Supplied Loose |
| 4 | Screw | PX0766/P | PX0766/S | Supplied Fitted |
| 6 | Screw | PX0767/P | PX0767/S | Supplied Fitted |
| 7 | Screw | PX0768/P | PX0768/S | Supplied Fitted |
| 9 | Crimp | PX0769/P | PX0769/S | Supplied Loose |
| 12 | Crimp/Solder | PX0797/P | PX0797/S | Order Separately |
| 25 | Crimp/Solder | PX0824/P | PX0824/S | Order Separately |
| 50 | BNC Crimp | | PX0763/S/50OHM | Supplied Loose |
| 75 | BNC Crimp | | PX0763/S/75OHM | Supplied Loose |

Standard Buccaneer®

COLOURED CONTACT INSERTS



Coloured Inserts

- With or without matching gland nut
- Positive visual identification
- Available in; Black, Blue, Green, Grey, Light Grey, Red, White and Yellow

Contact Inserts Colour Options

| Part No Suffix | Colour |
|----------------|------------|
| Blank | Black |
| BL | Blue |
| GN | Green |
| GY | Grey |
| LG | Light Grey |
| RD | Red |
| WH | White |
| YL | Yellow |

Insert/Gland Nut Combinations

| | |
|---|-------------------------------|
| 1 | Insert and Gland Nut Coloured |
| 2 | Insert Only Coloured |

e. g. PX0731/P/YL1 = Yellow insert and gland nut

CONTACTS FOR 12 AND 25 POLE INSERTS



12 & 25 way contacts

- Crimp or Solder Pins and Sockets
- Gold Plated
- Current ratings:
12 way: 5A, 50V
25 way: 1A, 50V

Contacts - Solder & Crimp for 12 and 25 pole

| Contacts (for 25 pole) (Supplied in packs of 10) | Solder | Crimp |
|---|----------|--------|
| Pins | SA3180/1 | SA3180 |
| Sockets | SA3179/1 | SA3179 |

| Contacts (for 12 pole) (Supplied in packs of 10) | Solder | Crimp |
|---|----------|--------|
| Pins | SA3348/1 | SA3348 |
| Sockets | SA3347/1 | SA3347 |

ASSEMBLY TOOLS



PNo 13027 and 13170

- Crimp Tools for 3, 9, 12 and 25 pole crimp contacts
- Insertion/Extraction Tool for 25 pole contacts

| Tools | |
|-------------------------------------|-----------------------------|
| Crimp Tool (25 pole) | PNo. 13170 |
| Crimp Tool (12 pole) | PNo. 14025 |
| Positioner (12 pole) | PNo. 14025/5AMP |
| Crimp Tool (9 pole) | PNo. 13826 |
| Crimp Tool (3 pole) | PNo. 14232 |
| 3 pole positioner | PNo. 14232/1 |
| Insertion/Extraction Tool (25 pole) | PNo. 13027 |
| Insertion/Extraction Tool (12 pole) | PNo. 13027/1 |
| Insertion/Extraction Tool (3 pole) | PNo. 13027/3 |
| Hex Cavities for BNC Inserts | |
| Centre Contact: | 1.69 A/F (B.S. 'W'/ERMA XA) |
| Braid: | 6.48 A/F (B.S. 'E'/ERMA XH) |

CABLE GLANDS



SA3253

- Pack of alternative cable glands to suit cables from 3.5 to 9mm dia.

Cable Acceptance - Alternatives

| Cable Diameter | Gland Part No. | Gland Colour | Additional Suffix |
|----------------|----------------|--------------|---|
| 6-8mm | 12023 | Black | Standard for 2-12 pole |
| 3.5-5mm | SA3426 | Grey | Suffix /04† |
| 5-7mm | 12023/1 | White | Suffix /05 |
| 7-9mm | 12023/2 | Yellow | Suffix /07* |
| Gland Pack | SA3253 | | Pack of 3 glands to suit cables 3.5-5mm, 5-7mm & 7-9mm dia† |

*Note: 7-9mm gland standard for 25 way, no suffix required.

†Includes additional black gland cage for 3.5-5mm dia. cable range.

To order connector with alternative cable gland add suffix to part no. e.g. PX0731/P/07 = PX0731 3 pin connector with cable gland to suit 7-9mm dia. cable.

Cable Acceptance - Standard as supplied

| No. Contacts | Cable Diameter or Type |
|--------------|------------------------|
| 2-12 Pole | 6-8mm |
| 25 Pole | 7-9mm |
| BNC 50 | RG 58/CU, URM43, URM76 |
| BNC 75 | URM70 |

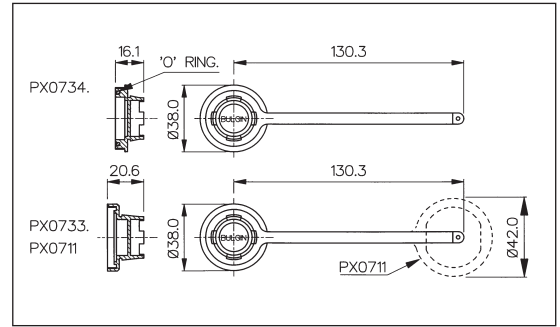
Standard Buccaneer®

SEALING CAP/ASSEMBLY TOOL



PX0734 PX0733

- Maintains IP Rating of Unmated Connectors
- Can be used to remove Inserts
- PX0734 for Flex Cable Connector
- PX0733 for In-line Flex, Front Panel, Bulkhead and Flange mount connectors
- PX0711 for PCB and Rear Panel Mount connectors

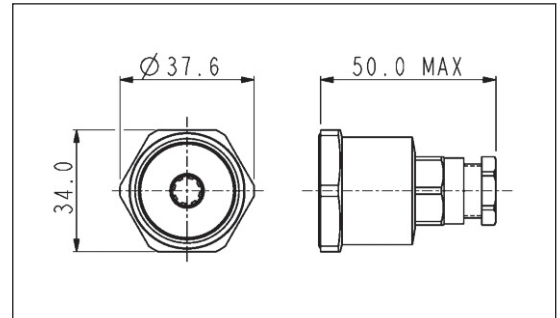


REAR OF PANEL BACKSHELL



PN0799

- Provides environmental seal to rear of panel
- Standard cable acceptance 6-8mm, 3.5 to 9mm with alternative glands
- For use on front panel mounting connectors
- Replaces mounting nut in panel connector

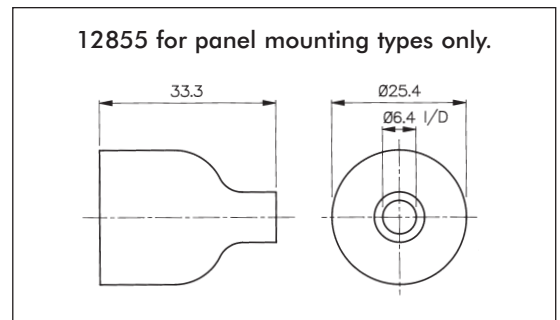


PVC INSULATION BOOT



PNo. 12855

- Shock protection for rear of connector
- Flammability Rating UL94V-0
- Fits Front Panel Mount Versions only

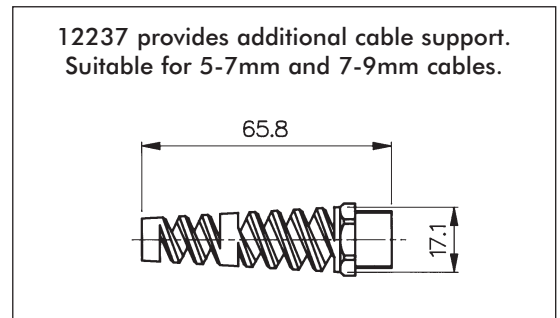


CABLE SUPPORT ACCESSORY



PNo. 12237

- Gives Extra Support to the Cable
- Suitable for 5-7mm and 7-9mm Cable Diameters



Standard Buccaneer®

PART NO SYSTEM

PX0xxx / x / xx / xx x

Body Styles

Contacts Type

P = Pin

S = Socket

Cable Acceptance or PCB/Rear Panel Mounting

Flex Cable and In-line Flex Connectors cable acceptance use:

Blank = 6-8mm (Black) standard for 2-12 pole

04 = 3.5-5mm (Grey)

05 = 5-7mm (White)

07 = 7-9mm (Yellow) (standard for 25 way, no suffix required)

PCB (PX0707) and Rear Panel Mount connectors (PX0708 and PX0709) use:

02 = 2 pole

03 = 3 pole

04 = 4 pole

06 = 6 pole

07 = 7 pole

09 = 9 pole

12 = 12 pole

25 = 25 pole

Front Panel, Bulkhead and Flange Mount - not required:

Insert/Gland Nut Colour

Blank = Black

LG = Light Grey

BL = Blue

RD = Red

GN = Green

WH = White

GY = Grey

YL = Yellow

Insert/Gland Nut Colour Combination

1 = Insert and Gland Nut Coloured

2 = Insert only Coloured

Examples:

PX0707/P/06 = PCB Panel connector, pin contacts, 6 pole

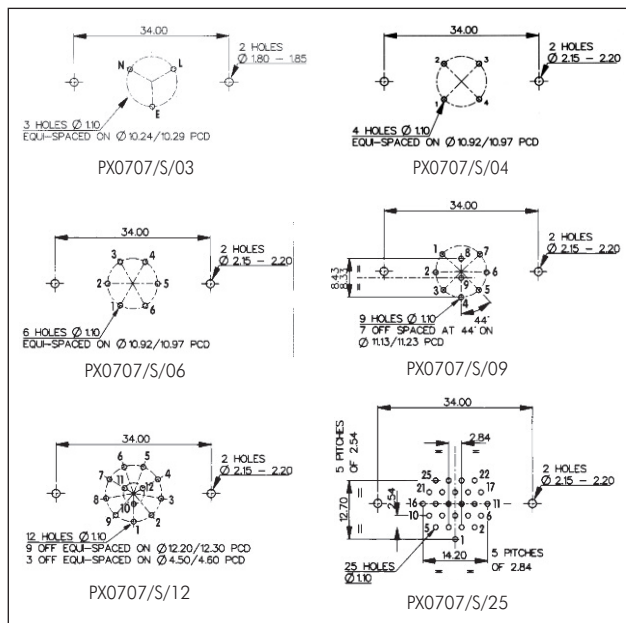
PX0731/S = Flex Cable connector, socket contacts, 3 pole

PX0732/P/07/BL2 = In-Line Flex Cable connector, pin contacts, 3 pole, 7-9mm cable acceptance, blue insert

PCB LAYOUTS

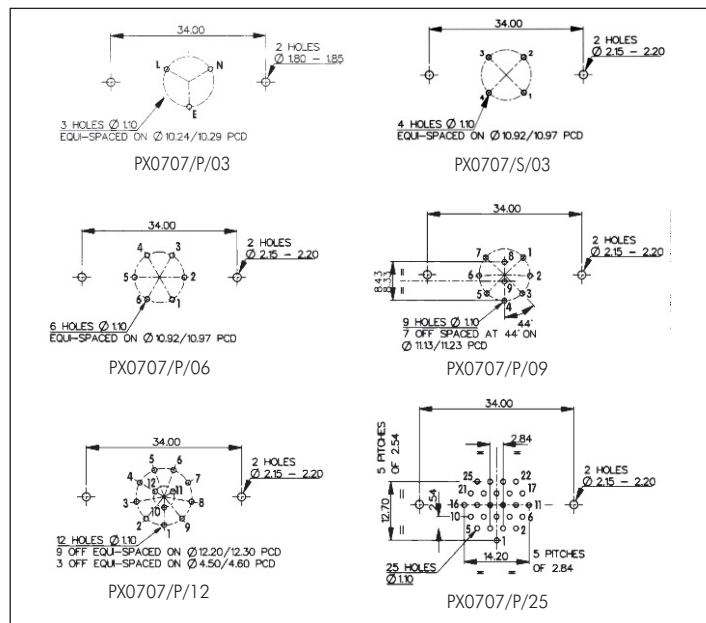
Sockets

Contact Nos viewed from rear of panel







Pins

Contact Nos viewed from rear of panel



SPECIFICATION
Electrical:

| | | | | | | |
|---|---|------|------|------|-----|-----|
| No. Poles: | 2, 3 | 4 | 6, 7 | 9 | 12 | 25 |
| Current Rating: | | | | | | |
| VDE, UL, CCC | 12A | 10A | 5A | 5A | 5A | 1A |
| CSA | 10A | 6A | 3A | 5A | 5A | 1A |
| Voltage Rating (ac/dc): | 277V | 277V | 277V | 150V | 50V | 50V |
| Contact Resistance: | <10m (2-9 Pole) | | | | | |
| | <5m (12 Pole) | | | | | |
| | <5m (25 Pole) | | | | | |
| Insulation Resistance: | >10 ⁴ M @ 500V d.c. (2-9 Pole) | | | | | |
| AC Breakdown voltage: | 4kV Pole - Pole (2-9 Pole) | | | | | |
| | 6kV Poles - Panel (Low Profile Flange and Panel Types - 2-9 Pole) | | | | | |
| | 7.5kV Poles - Panel (Other Types - 2-9 Pole) | | | | | |
| Operating Temp. Range: | -20°C to +70°C | | | | | |
| Approvals: | E93288 | | | | | |
| UL  | LR80968-30 | | | | | |
| CSA  | 40023148 | | | | | |
| VDE  | 2011010203500391 - 1 Amp Rated | | | | | |
| CCC  | 2011010203500393 - 5 Amp Rated | | | | | |
| | 2011010203500394 - 11 Amp Rated | | | | | |
| | 2011010203500395 - 12 Amp Rated | | | | | |
| | <i>Overmoulded cable assemblies approvals to customer requirements.</i> | | | | | |

Material:

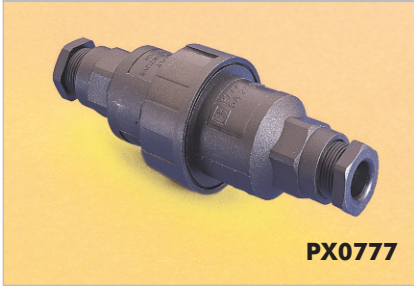
| | |
|------------------------------|---|
| Body Mouldings: | Glass Filled Polyamide UL94HB |
| Inserts (2-25 pole): | Polyamide UL94V-0 |
| PX0707 | Polyamide UL94V-0 |
| PX0708 | Polyamide UL94V-0 |
| PX0709 | Polyamide UL94V-0 |
| Overmoulded types: | |
| Body Mouldings: | Polyurethane |
| Flammability Rating: | UL94V-HB |
| Contacts: | |
| Screw Terminal: | Brass, Nickel Plated |
| Crimp (9 pole): | Copper Alloy, Tin Plated |
| Crimp/Solder (12 + 25 Pole): | Copper Alloy, Gold Plated (0.1µm on Nickel) |
| BNC inserts: | Brass, Nickel Plated |
| BNC contacts: | Brass, Silver Plated |
| RoHS | Compliant |

Mechanical:

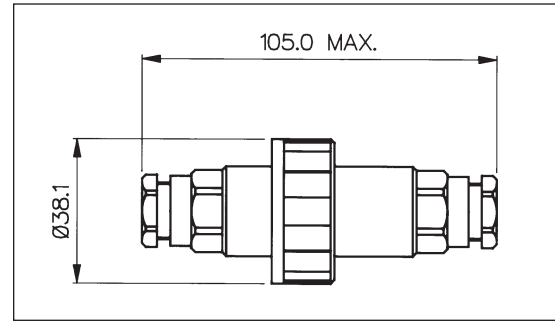
| | |
|---|---|
| Sealing: | IP68, BS 5490 : 1977 Tested @ 1.054kg/sq.cm. (15lb/sq.in.) 10m depth for 2 weeks. |
| | BSEN 60529 : 1992 Tested @ 9.84kg/sq.cm. (140lb/sq.in.) 100m depth for 12 hours. |
| | IP69K, DIN 40050-9 |
| Cable Acceptance: | |
| 2-12 Pole - standard gland: | 6-8mm dia |
| 2-12 Pole - alternative glands: | 3.5-9mm dia |
| 25 Pole - standard gland: | 7-9mm dim |
| 25 Pole - alternative glands: | 3.5-7mm dim |
| BNC 50 : | RG 58/CU, URM43 & URM76 |
| BNC 75 : | URM70 |
| Contact Accommodation: | |
| 2 and 3 pole screw terminals: | 4mm ² (12AWG) max |
| 3 pole crimp: | 1.0-1.5mm ² (14-18AWG) max |
| 4, 6 and 7 pole: | 1.5mm ² (16AWG) max |
| 9 pole: | 0.12-0.21mm ² (24-26AWG) |
| 12 pole: | 0.32mm ² (22-26AWG) max |
| 25 pole: | 0.12-0.21mm ² (24-26AWG) |
| Terminations: | |
| 2-7 Pole: | Screw Terminals |
| 3 Pole: | Screw Terminals & Crimp |
| 9 Pole: | Crimp Contacts |
| 12 Pole: | Crimp & Solder Contacts |
| 25 Pole: | Crimp & Solder Contacts |
| Tightening Torques: | |
| Flex Mounting/In-Line: | Gland Nut: 1.13Nm (10lbf.in.) |
| Panel Mounting: | Rear Fixing Nut: 1.7Nm (15lbf.in.) |
| | Front Fixing Nut: 1.7Nm (15lbf.in.) |
| Surface/Bulkhead and Low Profile Flange Mounting: | 4 Fixing Screws (using washers supplied) |
| | 0.34Nm (3lbf.in.) |
| Sealings Caps/Locking Ring: | 1.13Nm (10lbf.in.) |
| Rear thread, Front Panel Connector: | M27 x 1.0-6H |
| Thread, Front Panel Connector: | M35 x 1.0-6H |

Sealed In-Line Cable Joiner

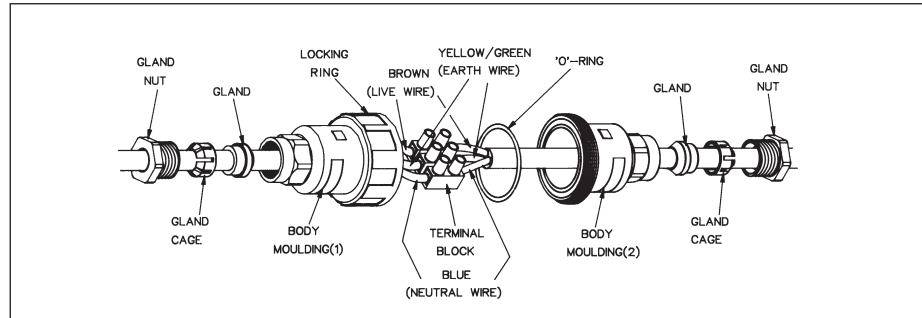
CABLE JOINER



- IP68 Rating
- For Sealed In-Line Connections
- Standard Cable Acceptance 6-8mm
- Cable Range 3.5-9mm (using alternative glands)
- Supplied with 3 way Terminal Block
- Available Moulded in Black or Orange



BUCCANEER POWER



| Specification | PX0777 |
|------------------------|--|
| Rating: | 16A, 250V a.c. |
| Wire Termination: | 3 way Terminal Block (2.5mm ² -14 AWG max) |
| Cable Acceptance: | 6-8mm dia alternative glands available on request |
| Material: | Glass Filled Polyamide UL94HB |
| Sealing: | IP68 to BSEN 60529 : 1992 1.054kg/sq.cm. (15lbs/sq.in.) 10m depth for 2 weeks |
| Operating Temp. Range: | -20°C to +70°C |
| Colour: | Black Orange (Add /OR to PNo.) |
| BNC Cable Types: | 50 ohm – RG58/CU, URM43 & URM76 For BNC version of PX0777 add /50OHM to PNo. |
| RoHS | Compliant |

X-ON Electronics

Largest Supplier of Electrical and Electronic Components

Click to view similar products for [Standard Circular Connector](#) category:

Click to view products by [Bulgin](#) manufacturer:

Other Similar products are found below :

[5M2530B10P](#) [600259N006](#) [600273N007](#) [6134-336-13149](#) [6134-337-11149](#) [6134-337-2390](#) [6134-341-17149](#) [6280-4SG-516](#) [6280-7SG-3DC](#)
[6290](#) [6291A](#) [66200A-10](#) [680-SMG](#) [681-PMG](#) [CXS3102A14S2P](#) [CXS3102A181S](#) [7251-6SG-300](#) [7271-6SG-300](#) [7282-3PG-300-CH3](#) [75-](#)
[474014-05S](#) [75-474618-01S](#) [75-474618-04P](#) [75-474618-04S](#) [799539-000](#) [MI8-SE](#) [805-005-07NF11-19PC](#) [805-005-07NF15-7PA](#) [8280-4PG-](#)
[516](#) [8280-7PG-519](#) [8282-5PG-519](#) [836783-1](#) [MP-4102-25P-C](#) [862256-1](#) [864019-2](#) [866857-1](#) [867865-1](#) [PT01SP-14-18P](#) [PT08P-14-5S](#) [120-](#)
[1833-000](#) [QCM019PC2DC012B](#) [1-2069279-1](#) [121583-0217](#) [121667-0020](#) [129591AU](#) [1000B BULK](#) [RD10A16-19-P6CS051/1](#) [RD10A20-31-](#)
[P8CS051/1](#) [RD16A14-12-S6CS051/2](#) [1301240290](#) [1301240347](#) [1301860202](#)