

BUCCANEER FOR DATA



Buccaneer® Bluetooth Cable Replacement

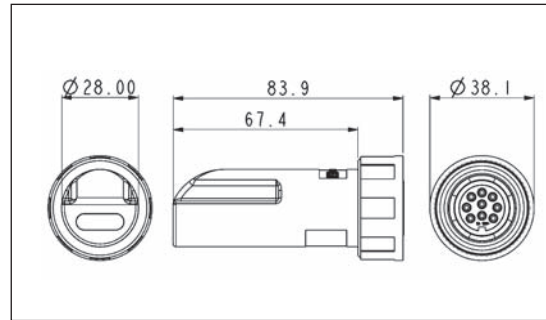
BLUETOOTH CABLE REPLACEMENT RS232, RS422 & RS485



PX0885



- Dust & waterproof to IP68 EN60529 when mated
- RS232, RS422 & RS485 Serial data to Bluetooth Adapter
- Wireless transparent data connection
- Self connecting for true cable replacement
- Up to 100m range (class 1)
- Multidrop or point to point versions
- Multidrop wireless master to 7 slaves (max) auto bonding
- Point to point - non bonding
- Optional remote parameter setting
- Mates with: PX0727/S, PX0707/S/09, PX0709/S/09, PX0769/S, PX0884



BUCCANEER DATA

Part No.	Description
PX0885/01/M	Master unit, IP68 rated, Bluetooth Class 1
PX0885/02/M	Master unit, IP68 rated, Bluetooth Class 2
PX0885/01/S	Slave unit, IP68 rated, Bluetooth Class 1
PX0885/02/S	Slave unit, IP68 rated, Bluetooth Class 2
PX0885/01/P	Point to point, IP68 rated, Bluetooth Class 1
PX0885/02/P	Point to point, IP68 rated, Bluetooth Class 2

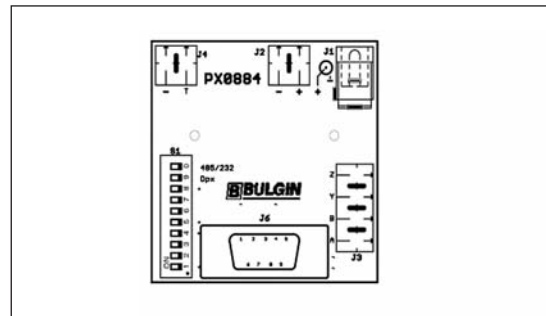
Bluetooth Buccaneer® Interface Adaptor

BLUETOOTH INTERFACE ADAPTER



PX0884

- Development board for use with PX0885 Buccaneer Bluetooth cable replacement
- Convenient screw terminations
- RS232 9-D plug connector
- Incorporates 9 way Buccaneer connector



Part no.	Description
PX0884	Interface adaptor for use with Buccaneer Bluetooth cable replacement PX0885

X-ON Electronics

Largest Supplier of Electrical and Electronic Components

Click to view similar products for [Modular Connectors / Ethernet Connectors](#) category:

Click to view products by [Bulgin](#) manufacturer:

Other Similar products are found below :

[8949-H88/06BLKA/SN](#) [74441-0010/BKN](#) [MP1010RX-1000](#) [MP44RX-1000](#) [PHJ-4P4C-1-V-4](#) [PHP-6P6C-5](#) [GAX-3-66](#) [GAX-8-62](#) [GDCX-PA-66-50](#) [GDCX-PN-64](#) [GDCX-PN-66](#) [GDCX-PN-66-50](#) [GDLX-A-66](#) [GDLX-N-66](#) [GDLX-S-66](#) [GDLX-S-88K](#) [GDLX-SMT-S-88](#) [GDTX-S-88-50](#) [GDX-PA-1010](#) [GLX-N-1010M-BLK](#) [GLX-S-88M-BLK](#) [GMX-N-1010](#) [GMX-S-1010](#) [GMX-S-66](#) [GMX-SMT4-N-88](#) [GPX-2-64](#) [GSGX-N-2-88](#) [GSGX-N-4-88](#) [GSX-NS2-88-3.05](#) [GSX-NS2-88-3.05-50](#) [GSX-NS-88-3.05-50](#) [PT-108A-8C-UL](#) [PT-J951-8C](#) [PTS-J531-8CS-50UL](#) [1-1775629-2](#) [A-2014-0-4](#) [GWLX-S-88-GR](#) [GWLX-S9-88-YG](#) [DC-1021-8-WH-6](#) [1300530003](#) [1324640-4](#) [RJ11FTVC2G](#) [RJ11FTVC2N](#) [RJFTVX2SA1G](#) [132764-001](#) [1413235](#) [MP88X-1000](#) [MPS88RX-5000](#) [E5288-S000K3-L](#) [E5908-15A242-L](#)