

6000 Series Buccaneer®



Robust, instant connections for harsh environments

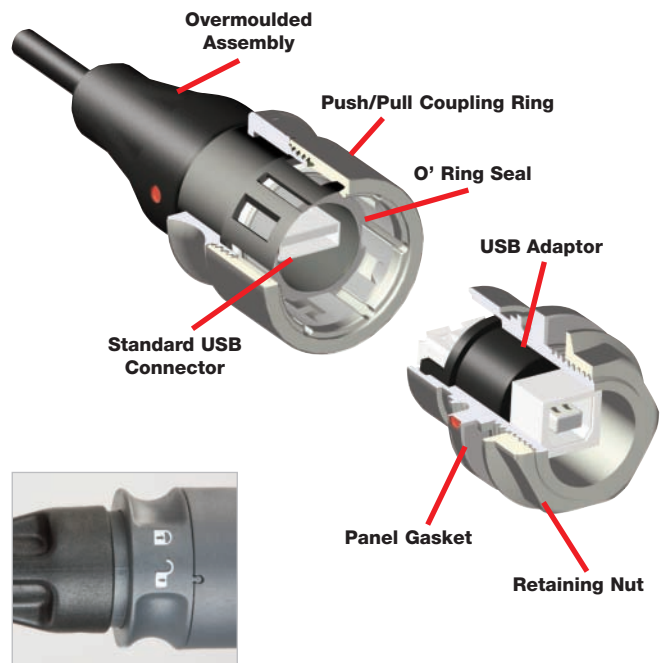
6000 Series Buccaneer - circular connectors that combine the ease of use of a push/pull coupling mechanism with proven environmental sealing. Available with metal or plastic bodies, the range supports Ethernet and USB data interfaces.

Designed and independently tested to IP66, IP68 & IP69K standards, they are ideal for applications where ingress of dust and water must be avoided and where ease of connection, space and appearance are important considerations.



For Data — USB

THERMO-PLASTIC VERSION



- | | |
|---------------------------------------|--|
| ● Push-pull coupling latching system* | Secure, instant latching. Quick connector mating and release |
| ● 30° twist locking* | Prevents accidental un-mating |
| ● IP66, IP68 and IP69K when mated | Suitable for a wide range of dust and water borne environments |
| ● Independent sealing tests | IP Ratings independently verified |
| ● USB version 2.0 performance | Low and high speed bus connection, 1.5Mbps to 480Mbps |
| ● Plug and play capability | Hot pluggable, standard 4 pole interface |
| ● Shielded system | High noise immunity and EMI protection |
| ● Visual mating indication | Alignment indicator reduces risk of damage during mating |
| ● Single and double ended cables | Suitable for PC and peripheral configuration |

*patent applied for

USB – Thermo-plastic version

SEALED USB CABLES - SINGLE ENDED



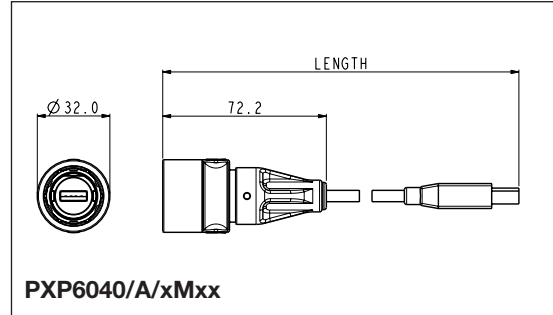
PXP6040/A

Single ended sealed cable assembly

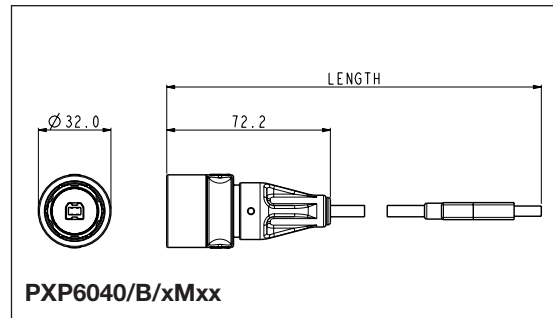
- Mates with all panel mounting connectors
- 30° twist locking
- IP rated 'A' type USB connector to standard 'B' type USB connector, mates with all panel mount connectors
- IP rated 'B' type USB connector to standard 'A' type USB connector, mates with all panel mount connectors
- Available in 2m, 3m and 5m lengths



PXP6040/B



PXP6040/A/xMxx



PXP6040/B/xMxx

Part No.	Length	Description
PXP6040/A/2M00	2m	IP rated A type USB to standard B type USB
PXP6040/A/3M00	3m	IP rated A type USB to standard B type USB
PXP6040/A/5M00	5m	IP rated A type USB to standard B type USB
PXP6040/B/2M00	2m	IP rated B type USB to standard A type USB
PXP6040/B/3M00	3m	IP rated B type USB to standard A type USB
PXP6040/B/5M00	5m	IP rated B type USB to standard A type USB

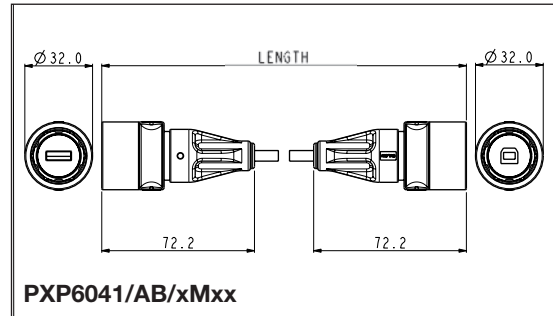
SEALED USB CABLES - DOUBLE ENDED



PXP6041/AB

Double ended sealed cable assembly

- Mates with all panel mount connectors
- 30° twist locking
- IP rated 'A' type USB connector to 'B' type USB connector
- Available in 2m, 3m and 5m lengths



PXP6041/AB/xMxx

Part No.	Length	Description
PXP6041/AB/2M00	2m	IP rated A type USB to IP68 B type USB
PXP6041/AB/3M00	3m	IP rated A type USB to IP68 B type USB
PXP6041/AB/5M00	5m	IP rated A type USB to IP68 B type USB

6000 Series Buccaneer®

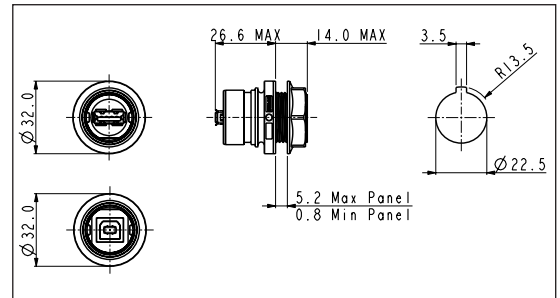


USB – Thermo-plastic version

FRONT PANEL MOUNTING CONNECTOR



- PXP6042/A - USB 'A' type IP rated connector
- PXP6042/B - USB 'B' type IP rated connector
- Opposite USB type connector to rear of panel
- Mates with PXP6040 and PXP6041 cable connectors

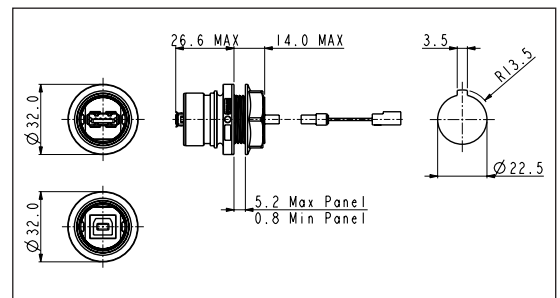


Part No.	Description
PXP6042/A	IP rated A type USB, front panel mounted. Sealed A type at front of panel, standard B type at rear.
PXP6042/B	IP rated B type USB, front panel mounted. Sealed B type at front of panel, standard A type at rear.

FRONT PANEL MOUNTING CONNECTOR



- PXP6043/A - USB 'A' type IP rated connector
- PXP6043/B - USB 'B' type IP rated connector
- Leaded with 5 way crimp connector
- Mates with PXP6040 and PXP6041 cable connectors

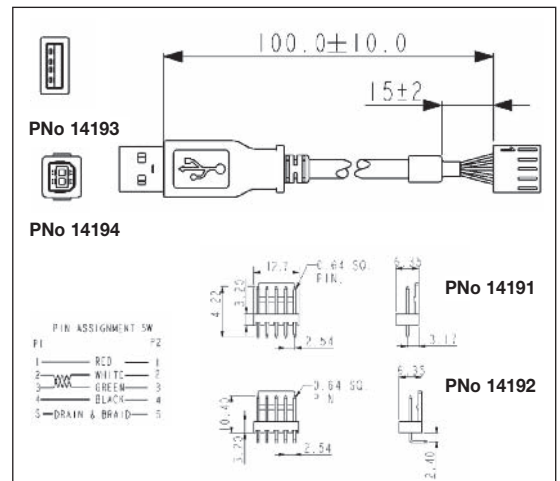


Part No.	Description
PXP6043/A	IP rated A type USB, front panel mounted. Sealed A type at front of panel, 5 way crimp connector at rear.
PXP6043/B	IP rated B type USB, front panel mounted. Sealed B type at front of panel, 5 way crimp connector at rear.

PCB ADAPTOR LEADS



- Standard A and B type USB connectors to 5 way crimp adaptor leads
- 5 way headers, 2.54mm pitch, horizontal or vertical mounting

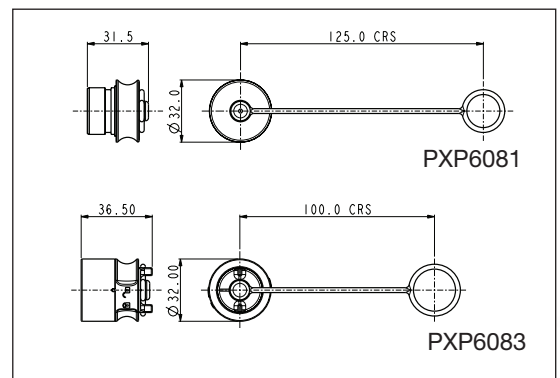


Part No.	Description
14193	USB 'A' type to 5 way crimp connector
14194	USB 'B' type to 5 way crimp connector
14191	5 way PCB header straight
14192	5 way PCB header right angle

ACCESSORIES



- Sealing caps to maintain IP rating when connectors are not in use
- PXP6081 for cable connectors PXP6040 & PXP6041
- PXP6083 for front panel mount connectors PXP6042 & PXP6043, with 30° twist lock



Part No.	Description
PXP6081	Sealing Cap for Flex cable connectors (PXP6040, PXP6041)
PXP6083	Sealing Cap for front panel mounting connector (PXP6042, PXP6043)

USB – Thermo-plastic version

PART NO SYSTEM

PXP / xxxx / x / xxxx

Plastic Connector Designation

Series

6 = 6000 Series

Body Styles

040 = Single ended cable

041 = Double ended cable

042 = Panel with adaptor

043 = Panel with lead

Characteristics

A = 'A' type sealed interface

B = 'B' type sealed interface

AB = 'A' & 'B' type sealed interface (for use with 6041 only)

Cable length

2M00 = 2 metre cable length (for use with 6040 and 6041 cables only)

3M00 = 3 metre cable length (for use with 6040 and 6041 cables only)

5M00 = 5 metre cable length (for use with 6040 and 6041 cables only)

Blank for 6042 & 6043 panel bodies

Examples:

PXP6040/A/2M00 = Cable assembly with sealed 'A' type connector to unsealed 'B' type connector, 2 metres long

PXP6042/A = Panel mounted adaptor with sealed 'A' type to unsealed 'B' type at rear

6000 Series Buccaneer®



USB – Thermo-plastic version

SPECIFICATION

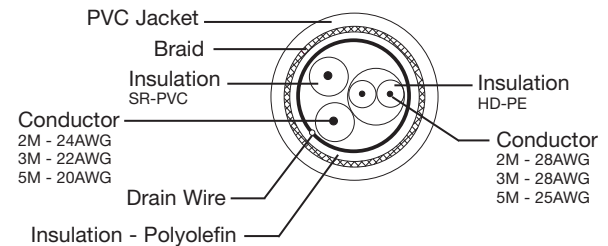
Cables & connectors

Mechanical			
Sealing	IP69K, DIN40050-9 IP68, EN60529 IP66, EN60529		
Operating temperature	0°C to +70°C		
Electrical			
No. of poles	4		
Current rating	1A		
Voltage rating	30Vac (RMS)		
Contact resistance	30mΩ max.		
Performance	USB version 2.0		
Materials - Overmoulded			
Overmould material	PVC (black)		
Flammability rating	UL94V-0		
Materials - Re-wireable and Panel Connectors			
Plastic	PC/PBT		
Metal	Machined Brass, Nickel Plated		
Flammability rating	UL94V-0		
'O' rings	Silicon		
Panel Gasket - round	Silicon		
Panel Gasket - flange	Silicon		
Materials - cable			
Cable Jacket	PVC (black)		
Screen	Tinned copper braid		
Flammability	UL94V-0		
RoHS	Compliant		
Length:	Dia	Conductors Signal	Conductors Power
2m	4.8mm	2 x 28AWG	2 x 24AWG
3m	5.0mm	2 x 28AWG	2 x 22AWG
5m	5.2mm	2 x 25AWG	2 x 20AWG

PCB adaptor leads

Electrical	
No. of conductors	4
Current rating	1A
Voltage rating	30Vac (RMS)
Contact resistance	<10mΩ max.
PCB pitch	2.54mm
Materials	
Moulding	Polycarbonate
Flammability	UL94V-0
Contact material	Copper Alloy
Contact plating	30 micro inch Gold
Wire insulation	PVC (black)
Flammability	UL94-V0
Conductors	4 x 28AWG
Operating temperature	0°C to +70°C
Mating cycles	1,000
RoHS	Compliant

Cable construction - PXP6040, PXP6041



X-ON Electronics

Largest Supplier of Electrical and Electronic Components

Click to view similar products for [Standard Circular Connector](#) category:

Click to view products by [Bulgin](#) manufacturer:

Other Similar products are found below :

[5M2530B10P](#) [600259N006](#) [600273N007](#) [6134-336-13149](#) [6134-337-11149](#) [6134-337-2390](#) [6134-341-17149](#) [6280-4SG-516](#) [6280-7SG-3DC](#)
[6290](#) [6291A](#) [66200A-10](#) [680-SMG](#) [681-PMG](#) [CXS3102A14S2P](#) [CXS3102A181S](#) [7251-6SG-300](#) [7271-6SG-300](#) [7282-3PG-300-CH3](#) [75-](#)
[474014-05S](#) [75-474618-01S](#) [75-474618-04P](#) [75-474618-04S](#) [799539-000](#) [MI8-SE](#) [805-005-07NF11-19PC](#) [805-005-07NF15-7PA](#) [8280-4PG-](#)
[516](#) [8280-7PG-519](#) [8282-5PG-519](#) [836783-1](#) [MP-4102-25P-C](#) [862256-1](#) [864019-2](#) [866857-1](#) [867865-1](#) [PT01SP-14-18P](#) [PT08P-14-5S](#) [120-](#)
[1833-000](#) [QCM019PC2DC012B](#) [1-2069279-1](#) [121583-0217](#) [121667-0020](#) [129591AU](#) [1000B BULK](#) [RD10A16-19-P6CS051/1](#) [RD10A20-31-](#)
[P8CS051/1](#) [RD16A14-12-S6CS051/2](#) [1301240290](#) [1301240347](#) [1301860202](#)